

Saeco SUP 025 MY
INTERNATIONAL GROUP

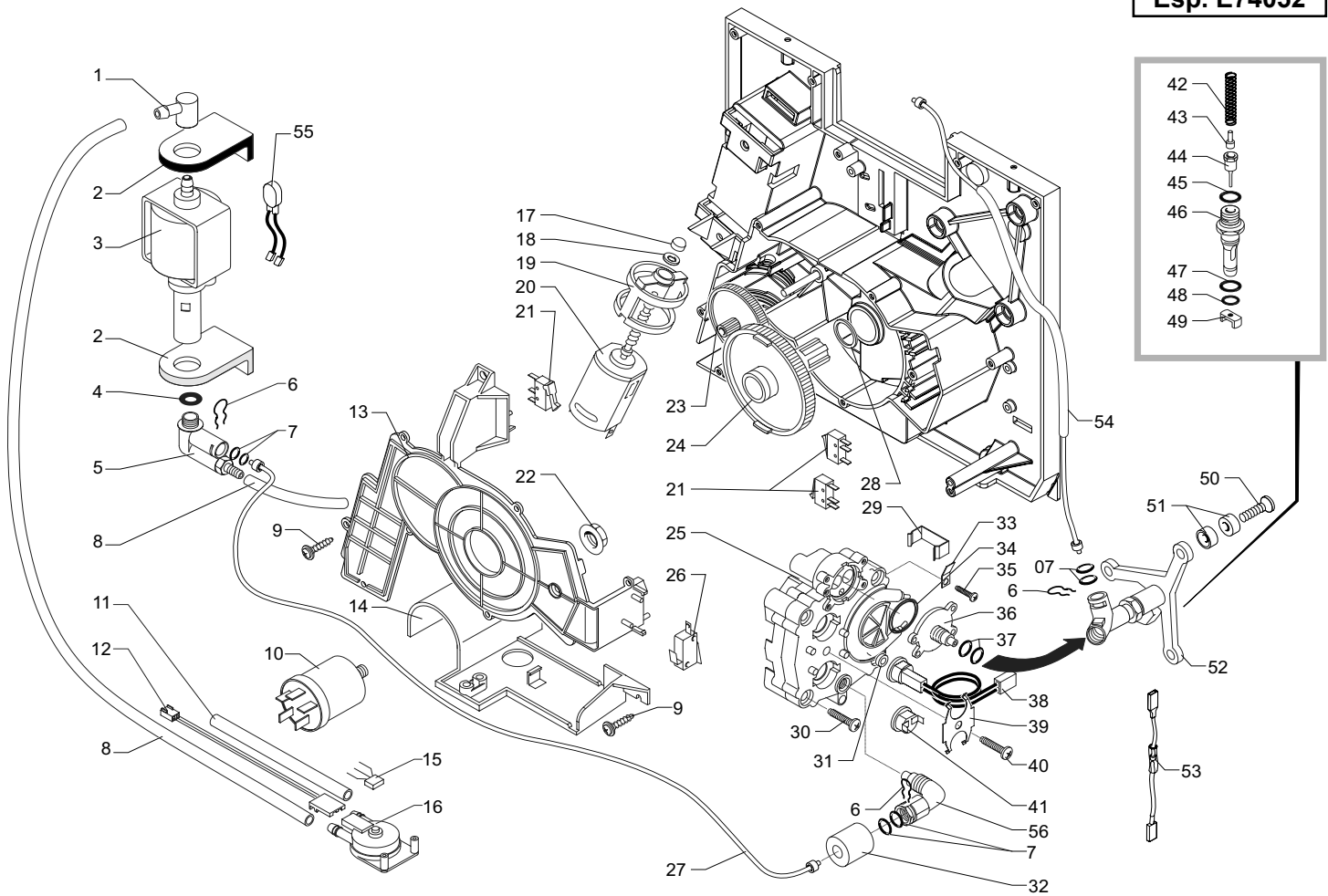
CE Cod. 7 4 06 04

POS	CODE	DESCRIPTION	NOTES	POS	CODE	DESCRIPTION	NOTES
01	222763706	Water container lid anthracite		43	129515802	Screw TCB 3,5x13 DIN 7981 galvanized	
02	140328461	OR Metric 0019-10 in EPDM		44	U109.028	Screw aut. TCB 2,9x9,5 DIN 7981 C	
03	222692800	Water contain.ass.natural/grey		45	149197000	Door support unpainted	
04	NM01.032	OR ORM 0060-30 Silicone black		46	146314050	Disengage lever black door	
05	9161.412	Spring for piston		47	229170450	Sealing support ass. water drip tray	
06	9111.027.150	Piston for tank grey		48	165892200	Instruction manual Spidem Divina	
07	183911050	Power cable Schuko black	L=1200 mm	49	U109.017	Screw aut. TCB 2,9x6,5 DIN 7981 C	
08	175897500	Upper polystyrene insert for box		50	286474058	Terminal board Kit for spares	230 V
09	175897600	Lower polystyrene insert for box			181552358	Terminal board	230V
10	178508600	Flexograf. box for Divina		51	U109.017	Screw aut. TCB 2,9x6,5 DIN 7981 C	
11	222360906	Casing ass. anthracite	With pos. 45,68	52	9161.021.150	Key for brew unit grey	
12	9161.050.230	Cap for float superautomatic		53	NF11.084	Folk spring	
13	222764006	Bean container lid anthracite		54	9161.384	Spacer for connection steam tube	
14	9161.112.150	Level float grey		55	228982606	Door OEM2 anthracite	
15	227721650	Grind adjustment black knob		56	147370650	Mobile part coffee dispensing OEM2	
16	222730200	Bean container as. w/protection grey		57	229184186	Coffee dispenser head support OEM2 silver	
17	146000850	Gear coffee grind. adjustment		58	222821986	Coffee dispenser cover OEM2 brig. silver	
18	0701.031.150	Seal cover grey		59	225741486	Grate for OEM2 bright silver	
19	NM05.013	Seal Gaco Dim 14 Miele		60	145500211	Red float for seb gran caffe'	
20	U111.004	Screw Aut. TSP 2,9X9,5 DIN 7982 C		61	222821286	Cover connector steam tube silver	
21	0701.014.150	Seal container grey		62	147921750	Deg. connector black steam tube	
22	NM02.004	OR ORM 0080-20 EPDM		63	224640200	External filter ass. for water container	With pos. 2
23	186015400	General switch		64	229160606	Touch panel support OEM2 anthracite Spidem	
24	U140.014	Panelvit TCB 3,5X16 DIN 7505 B		65	281520400	Touch panel electron. board ass. OEM2	
25	187850300	Tripole socket self-locking sts350		66	145895850	Rotating ring retaining insert	
26	220380259	As. rotating ring grey		67	227721550	Coffee dose adjustment black knob s/screen	
27	147623650	Foot black for revolving ring		68	U109.003	Screw aut. TCB 3,5x9,5 DIN 7981 C	
28	146001950	Coffee dose adj. gear black smart		69	222812006	Cover OEM2 anthracite silk/screen	
29	145852360	Bean coffee container seal					
30	147623750	Foot black					
31	222600506	Dump box anthracite					
32	229631306	Drip tray anthracite					
33	222763986	Ground container lid silver					
34	146680850	Coffee measure black					
35	U109.028	Screw Aut. TCB 2,9X9,5 DIN 7981 C					
36	149261050	Hopper black ground coffee doser					
37	283552700	Connector assembly 14 pole					
38	145852660	Seal ground coffee container					
39	9991.068	Brush for cleaning					
40	129910921	Hi-Lo TC screw 3x10 steel					
41	149501050	Coffee dispensing tube black					
42	229160586	Coffee disp. head support OEM2 silver Silk/Scr.					

Saeco SUP 025 MY
INTERNATIONAL GROUP

Rev. 01 - 08/07/03

TABLE 1/3



Saeco SUP 025 MY
INTERNATIONAL GROUP

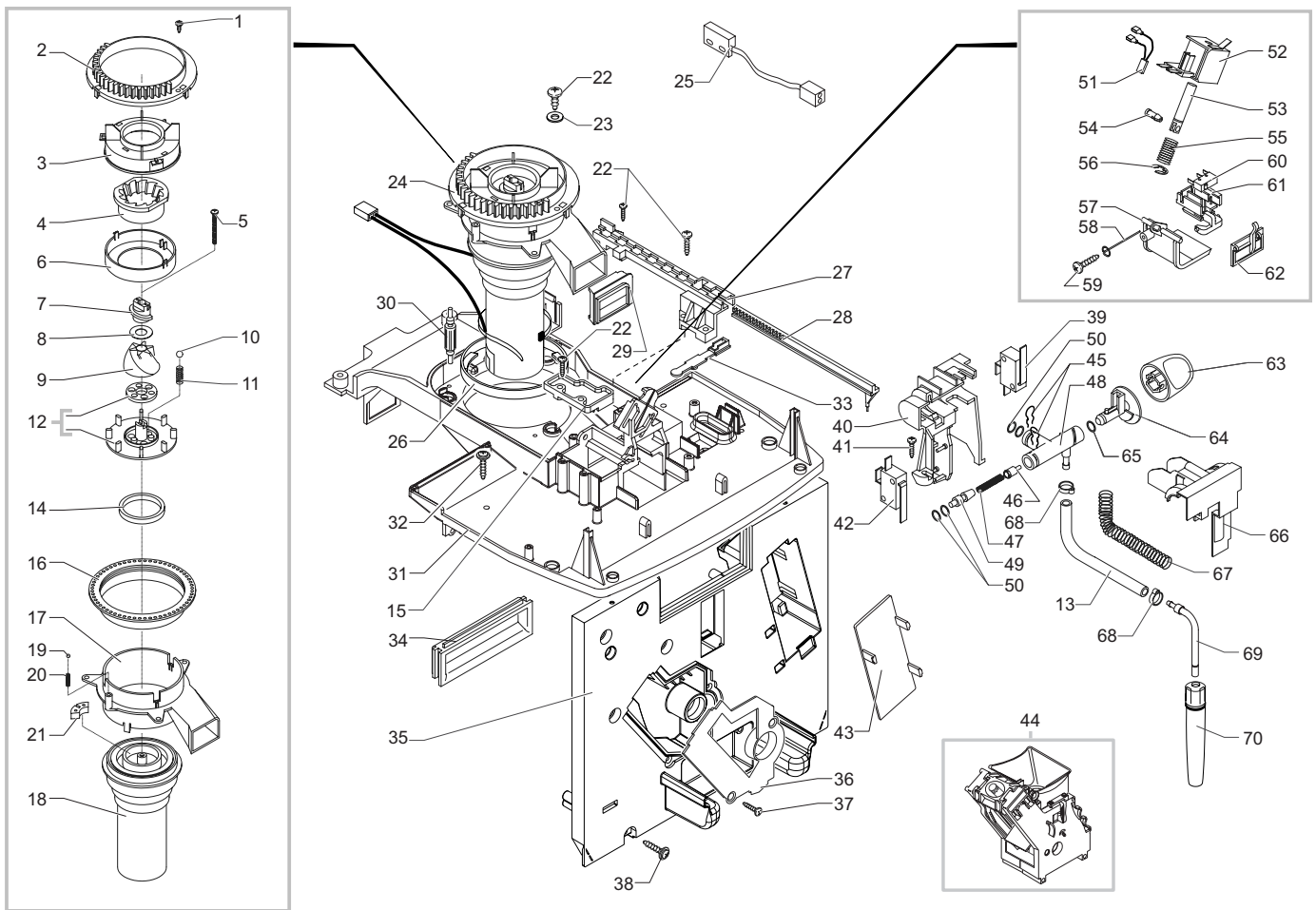


Cod. 7 4 06 04

POS	CODE	DESCRIPTION	NOTES
01	9991.084	90 Degree connector in Santoprene neutral	
02	9991.056	Support for pump	
03	9070.026.00A	Pump	230 V
04	NM02.020	OR 2031	EPDM
05	229451900	Assy safety valve to 90°	
06	9011.144	Fork for tube D.4	
07	NM02.028	OR 2015	EPDM FDA
08	9972.022	Silicon tube 5x8	L=2000 mm
09	U143.003	Panelvit TCB 3,5x16 testa d.8 galvanized	
10	NE13.039	Antijamming filter 0,47X2+1000Y2+0	
11	9972.166	Silicone tube 5x10 60 Shore	L=200 mm
12	283551300	3 pole connector as. turbine JP18	
13	9161.331.920	Ratiomotor cover transparent	
14	149194800	Turbine support	
15		Particular not available	see pos. 16
16	286473300	VDE "M" Turbine kit with sensor for spares	with pos. 15
17	9121.046	Sintered bush for motor	
18	9121.050	Bakelite washer d.5.5	
19	9121.044	Antivibration for motor	
20	9121.047	Motor as.33V c.c. Ratiomotor.	
21	NE05.038	Microswitch	
22	123453602	Flange nut M8 toothed base galvanized	
23	9121.042	Gear Z.12/90	
24	9121.069.150	Handgrip for unit grey	
25	9019.A19.00A	Boiler casings ass. profess.	230 V
26	186723800	Microswitch Saia X3M502K2KAM92AS	
27	227874400	Connector as. teflon 2x4	L=120 mm
28	9161.132	Mylar washer for ratiomotor	
29	9011.054	Spring for thermal fuse	
30	U043.019	Screw TCBC M6,0X30 UNI 7687 galvanized	
31	9011.089	Spacer for sensor	
32	147756562	Protection for folk spring tube D=4	
33	NE15.026	Male tongue 45° 6,3 D.5,2	
34	NM01.022	OR 2106	Silicone
35	U046.003	Screw TCBC M4,0x12 Indent. wash .8	
36	229182920	Brass support boiler w/o valve	
37	NM01.003	OR 2018	Silicone

POS	CODE	DESCRIPTION	NOTES
38	288582058	Sensor ass.	230 V
39	9011.034	Thermostat retaining spring	
40	U043.019	Screw TCBC M6,0x30 UNI 7687 galvanized	
41	NE09.006	Thermostat 170° faston 90° + washer	
42	9011.132	Spring for pin	
43	9011.075	Adapter for long pin	
44	9019.A01	Pin assembly	
45	NM01.008	OR ORM 0080-20	Silicone
46	9011.100	Plastic peg for valve	
47	NM01.035	OR ORM 0090-20	Silicone
48	NM01.057	OR ORM 0050-20	Silicone
49	9011.099	Cursor for boiler valve in plastic	
50	U044.017	Screw TSPC M5,0x20 UNI 7688 Galvanized	
51	9161.206	Insulating spacer for boiler	
52	229170600	Casing support as. aluminium boiler	
53	183441362	Cable 1 str. silicon blue + therm/fuse 192°	
54	227874100	Connector as. teflon 2x4	L=275 mm
55	0311.807	Yellow harness Klixon JP 13	
56	9991.150	Connector 1/8" conical at 90°	

Saeco SUP 025 MY
INTERNATIONAL GROUP



Saeco SUP 025 MY
INTERNATIONAL GROUP



Cod. 7 4 06 04

POS	CODE	DESCRIPTION	NOTES	POS	CODE	DESCRIPTION	NOTES
01	129511803	Screw TCB 2,9x6,4 DIN 7981	NIK	38	U140.014	Panelvit TCB 3,5x16 DIN 7505 B galvanized	
02	148650250	Grinding adjustment sector		39	186724200	Faucet microswitch	
03	149186150	Upper grinder black support		40	149194500	Faucet support	
04		Particular not available	See pos. 09	41	129515802	Screw TCB 3,5x13 DIN 7981	ZNP
05	129931002	Torx screw T10 TCB 3,5x48/28 Sx	ZNG	42	186724200	Door microswitch	
06	142844550	Upper grinder cover		43	9161.345.050	Internal covering black pump space	
07	147470763	Increase screw pin coffee grind		44	225801259	Brew unit grey elfo + hole	Others countries
08	128130102	Flat washer DIN 988	ZNP	45	9011.144	Fork for tube D.4	
09	226477700	Ital Mill grinders Kit		46	9019.A04	Pin ass. superautomatica	
10	128610521	Stainless steel AISI 304 sphere D=5,5 mm		47	9011.007	Spring for pin	
11	126765517	Steel spring sphere D = 5,5		48	0345.078	Faucet body	
12	149188750	Conical grind. supp. + ring		49	9161.379	Cap for body tap	
13	229433200	Braided silicone tube 3x7	L = 175 mm	50	NM02.028	OR 2015	EPDM FDA
14	140360200	Felt ring for coffee grinder		51	289202900	Thermal protector 100°C	
15	145895400	Insert for doser			289202200	Thermal protector 100°C	
16	146570950	Ring nut for grinding adj.		52	283770658	Electrom. cable L=200 as.	230 V
17	149194200	Coffee grinder motor support		53	9161.041	Doser electromagnet core	
18	286851158	Motor as.	230 V	54	9161.076.150	Doser door pin grey	
19	128610421	Stainless steel AISI 304 sphere D=3,2 mm		55	9161.044	Doser electromagnet spring	
20	126770117	Spring for coffeegrinder		56	U701.003	Snap ring 7 UNI 7434	
21	140230400	Shock abs conical grinder support		57	9161.074.150	Doser door grey	
22	129660102	Panelvit TCB screw 3,5x18 D.7505	ZNP	58	9161.048	Scraper rod	
23	U207.004	Plain washer 4,3x16 UNI 6592	ZNP	59	U140.004	Panelvit TCB 3,0x12 DIN 7505 B	ZNP
24	286883458	General motor ass. 230 V		60	NE05.017	Microswitch	
25	0301.811	Connector ass. 2 pole level		61	9161.072.150	Micro support cursor grey	
26	9141.052.150	Coffeegrinder reinforcing ring		62	9161.073.150	Dose control compensator grey	
27	147572150	Plate fixing toothed slide		63	147717250	Steam knob black	
28	148740550	Toothed slide for dose adjust		64	140640300	Faucet rod	
29	145851862	Ground coffee outlet seal		65	140328561	OR D=4,48 x 1,90	EPDM
30	9991.103	Antivibration for coffeegrinder		66	147756400	Protection for water/steam faucet body	
31	147531700	Grinder support plate		67	126772018	Spring for fabric finish tub	
32	U143.003	Panelvit TCB 3,5x16 TESTA D.8	ZNP	68	NF11.052	Oetiker clip	
33	9161.122.150	Dose adjustment lever grey classic		69	229381408	Steam tube assembled chromed	
34	145895350	Black insert for mounting plate		70	227431350	Pannarello ass. black	
35	9161.392.050	Mounting plate nespresso with pin					
36	9161.333.050	Boiler black cover					
37	129535721	Screw TSP 3,5x9,5 DIN 7982	S.Steel				

Saeco SUP 025 MY
INTERNATIONAL GROUP