

scanomat®

Pure Coffee

Part manual



Compact

English edition.

Re-ordering No: 2001313
Version: 1.0

scanomat[®] A/S

Vibe Allé 3 • Postboks 131 • DK - 2980 Kokkedal
Phone +45 49 18 18 00 • Fax +45 49 18 01 18

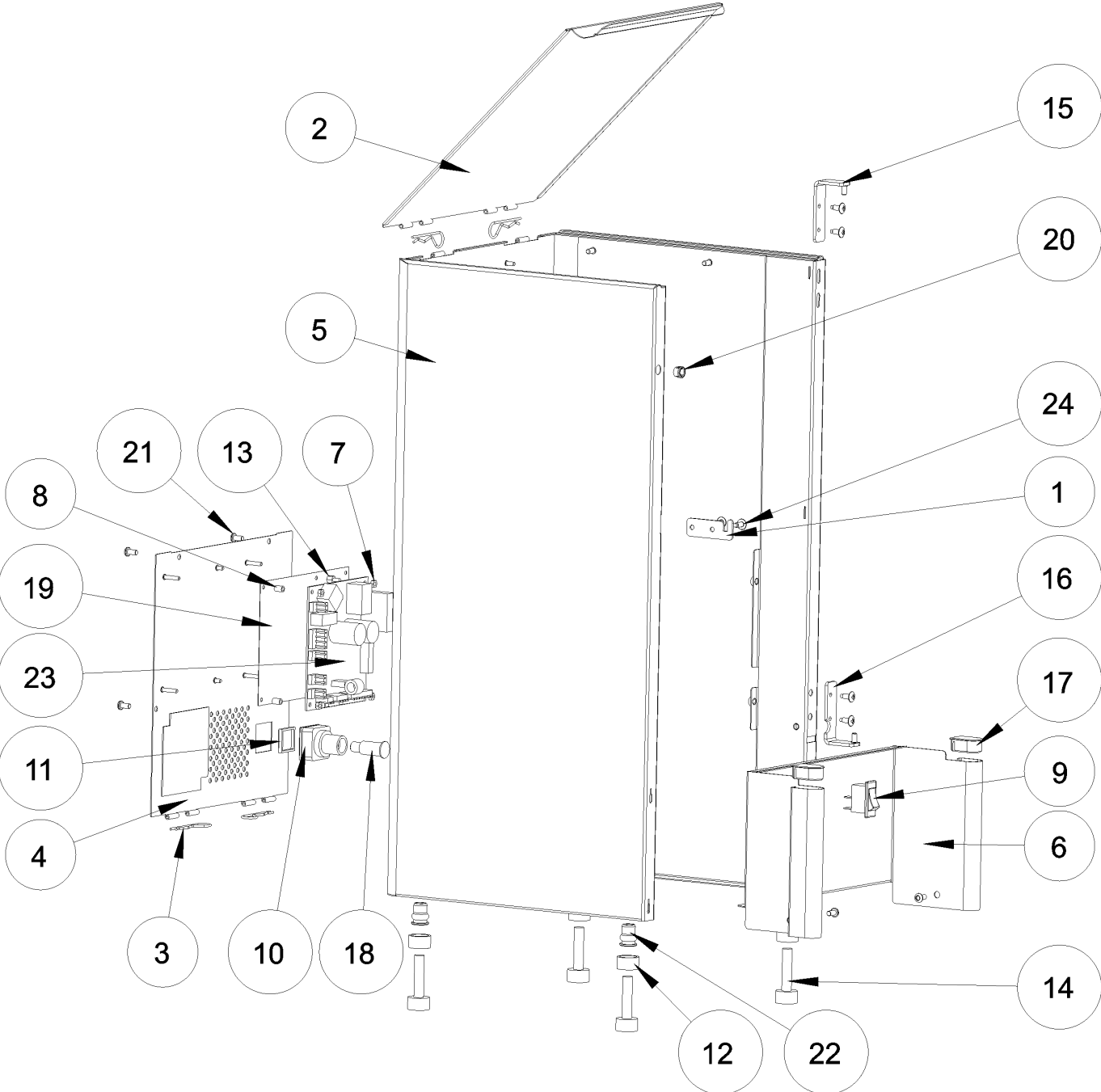
Protect your customers with quality. Always use parts and accessories from

scanomat[®]

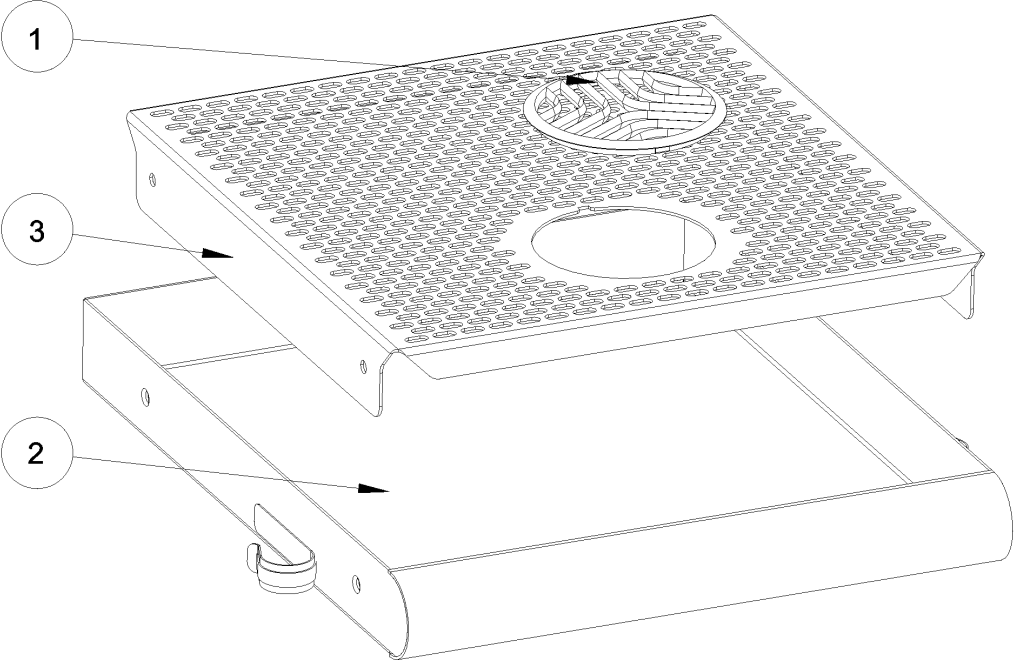
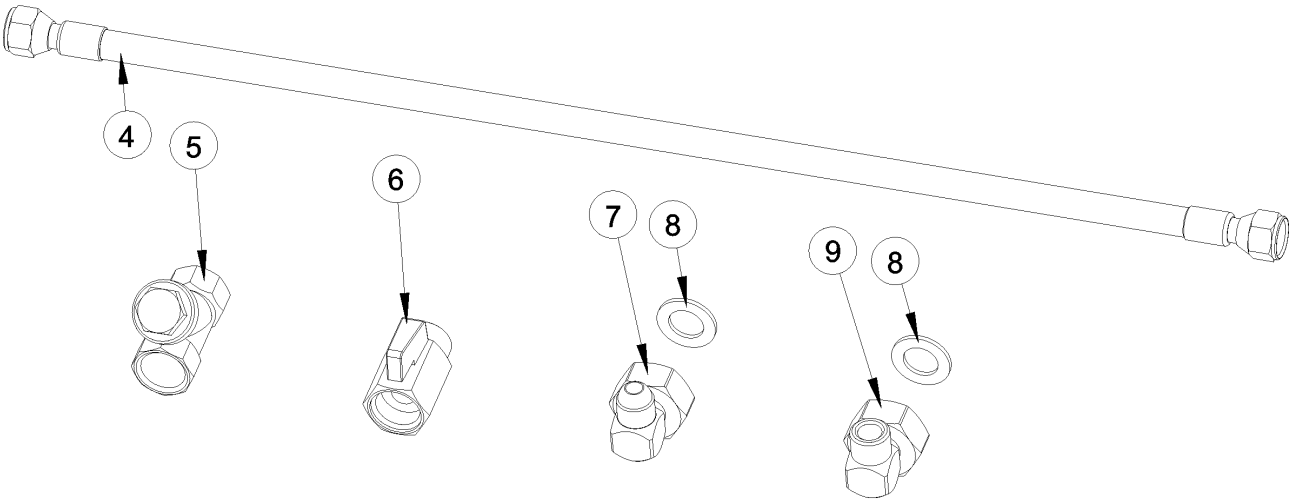
Contents

Cabinet	Plate No. 1
Drip tray and fittings	Plate No. 2
Bottom plate	Plate No. 3
Exhaustion	Plate No. 4
Water tank	Plate No. 5
Whipper system	Plate No. 6
Whipper plate	Plate No. 7
Ingredient bin	Plate No. 8
Auger – fast	Plate No. 9
Auger – slow	Plate No. 10
Door	Plate No. 11
Vision door (optional)	Plate No. 12

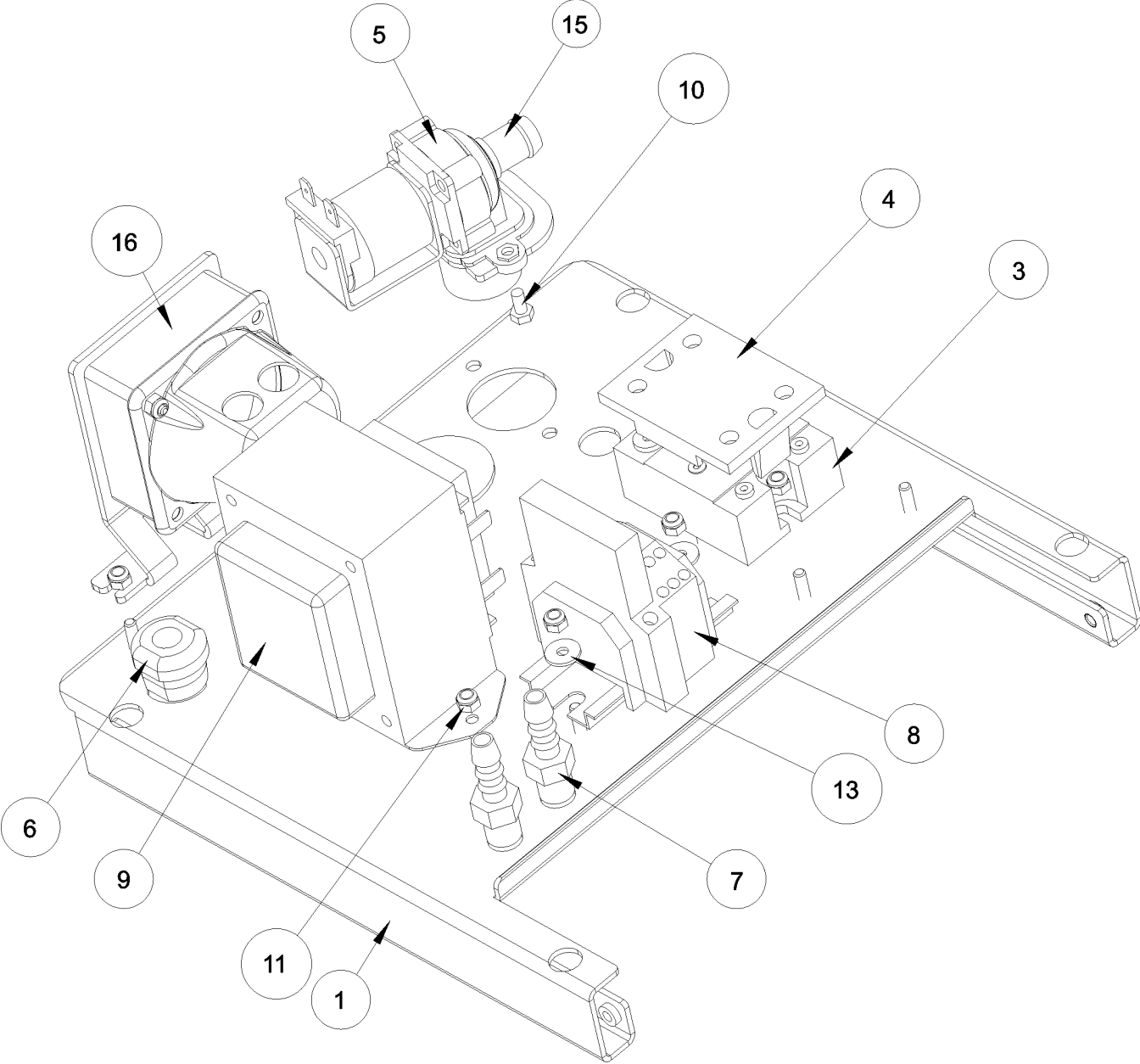
1	970010678000	Lock bar for door
1	2000163	Lock bar PRO line Vision door - optional
2	2000252	Top cover
3	2000288	Lock pin $\varnothing 1.7$
4	2000486	Inspection plate
5	2000487	Cabinet
6	2000497	Cup station
7	920310001000	Nut M3 Nylon
8	920310009000	Distance bushing 7x3.3
9	970010633000	Main switch
10	970010681000	Reset button
11	970010682000	Overlay for reset button
12	970010714014	Cabinet leg 10 mm
13	970010716000	Distance screw M3x11
14	970010862000	Adj. Screw 46 mm std.
15	970010959154	Top hinge radius door
16	970010960155	Bottom hinge radius door
17	970010971166	Stopper for cup station
18	970010983168	Spacer for reset button
19	970011006185	Isolating paper
20	970011155000	Distance plug
21	970011238000	Screw M4x8
22	970012202000	Rivnut for adj. Screw
23	970012637000	Power PCB mini
24	990100035000	Screw M4x10



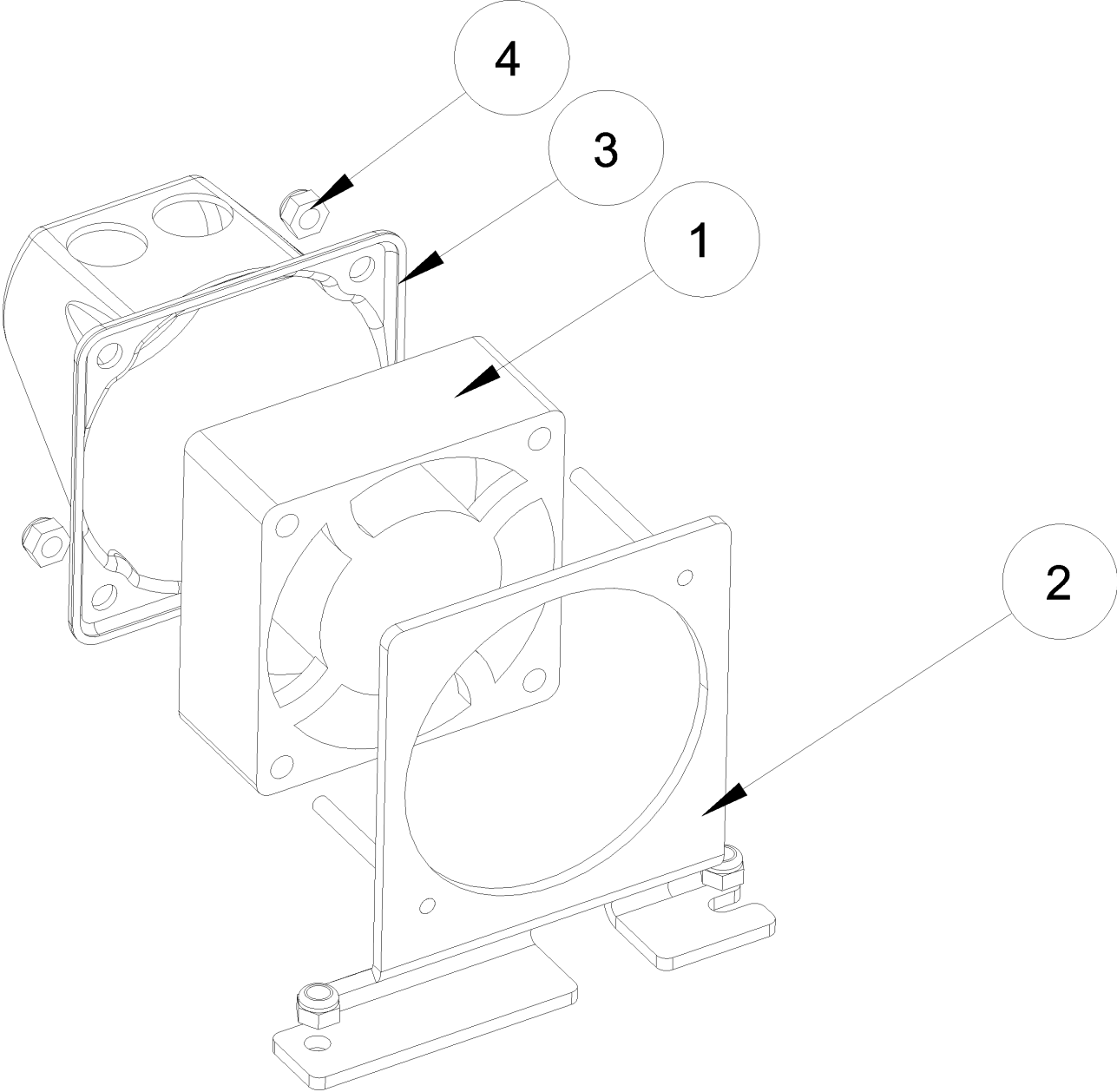
1	1823939	Cup mesh - Black
1	GM1823939BFK	Cup mesh blank chrome – optional
1	GM1823939BFN	Cup mesh blank nickel – optional
1	GM1823939BG	Cup mesh blank gold – optional
2	2000257	Drip tray
3	2000513	Mesh for drip tray
4	990240030000	Extension hose 1000 mm – optional
5	990720025000	Strainer 0.25 mm – optional
6	990020001000	Ballofix valve – optional
7	970010695053	Hose fitting 5/8SAE x 3/4 Inc. – optional
8	970010946000	Gasket for fitting – optional
9	970011899000	Hose fitting 3/8 x 3/4 Inc. - optional



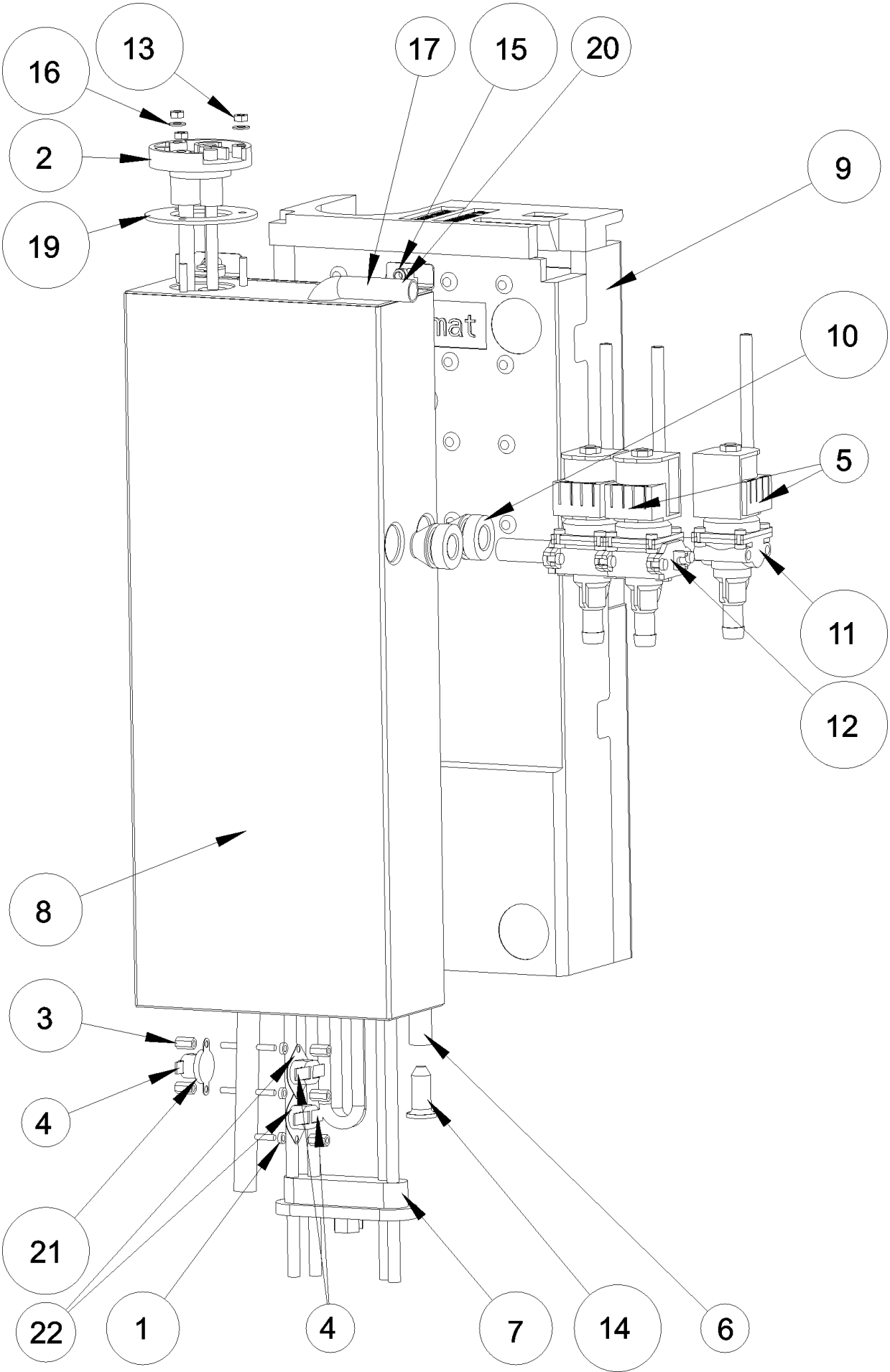
1	2000485	Bottom plate – aluminium
2	3490000	Harness for 1 Solid State
3	3600000	Solid State relay - type 2
4	3601000	Cover for Solid State relay
5	920720001000	Inlet water valve – Complete
6	970010710000	Support for harness 5x1.5
7	970011251000	Plastic tube
8	970011275000	Terminal block
9	970011769000	Transformer
10	990010564000	Bolt M4x8 RF
11	990260044000	Nut M4 – Nylock
12	990270002000	Spanner 18 mm
13	990270014000	Washer 4x12x1.2 Elz.
14	990280033000	Strip – L = 99 mm
15	990370018000	Silicone tube 8x14x650 mm
16	GM10003	Exhaustion



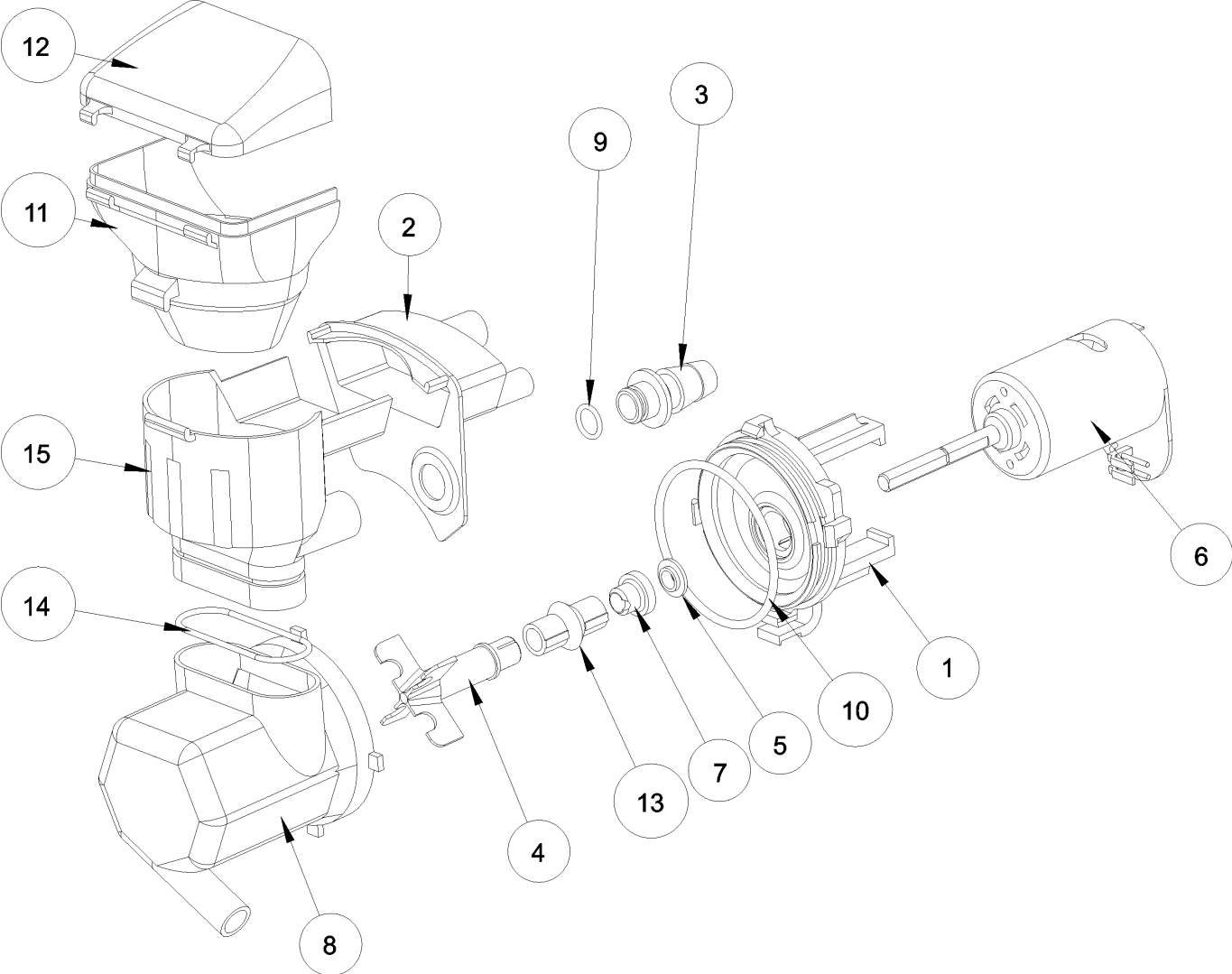
- 1** 970010948000 Blower 24 VDC 1.4W
- 2** 970010967162 Holder for blower
- 3** 970012016000 Blower house
- 4** 990260044000 Nut M4 - Nylock



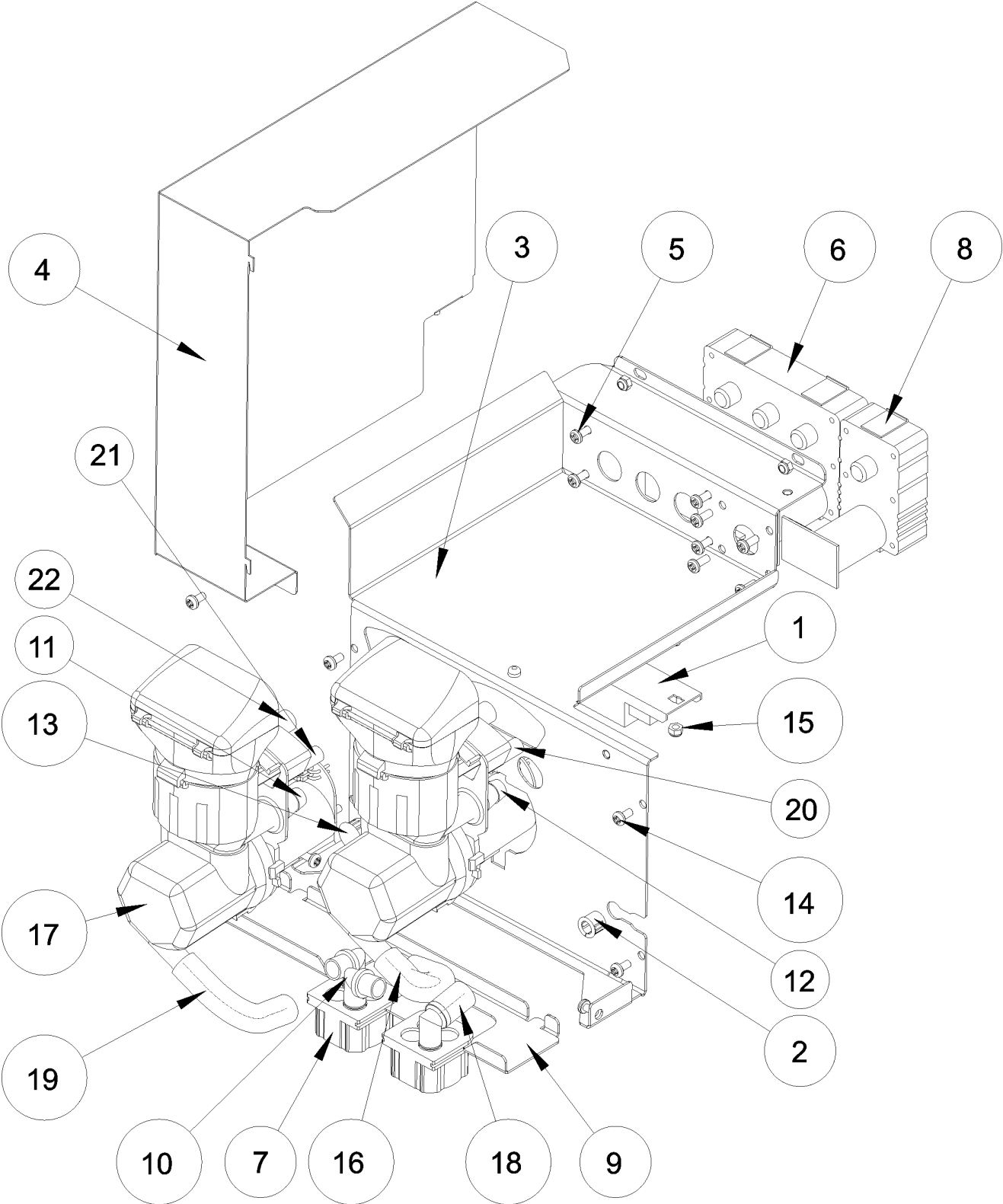
1	3865000	Spacer for over heater
2	970010709000	Probe std. complete
3	970010732000	Nut M3 x 10 mm
4	970010849000	Harness for over heater
5	970010864000	Harness water outlet Pro 4
6	970010875000	Silicone tube 8x14x265 mm
7	3335000	Heating element 1x1800 W 240V / no fuse
7	3187000	Heating element 2x1800 W 240V / no fuse – Optional
7	970010926000	Heating element 1x1800 W 240 V / with fuse – Optional
7	970010949000	Heating element 2x1800 W 240 V / with fuse – Optional
8	970011123234	Water tank, Compact
9	970011493606	Water tank isolation for Compact
10	970011701814	Silicone bushing 12 mm
11	970012549000	Single outlet valve 6mm complete
12	970012550000	Double outlet valve 6mm complete
13	990160005000	Nut M4
14	990230016045	Plug for drain hose
15	990260044000	Nut M4 Nylock
16	990260049000	Washer
17	990270001000	Spanner 16 mm
18	990280033000	Strap, black – L = 99 mm
19	990370014065	Gasket silicone
20	990370018000	Silicone tube 8x14x650 mm
21	990560001000	Over heater 65°C/149°F
22	990560002000	Over heater 110°C/230°F



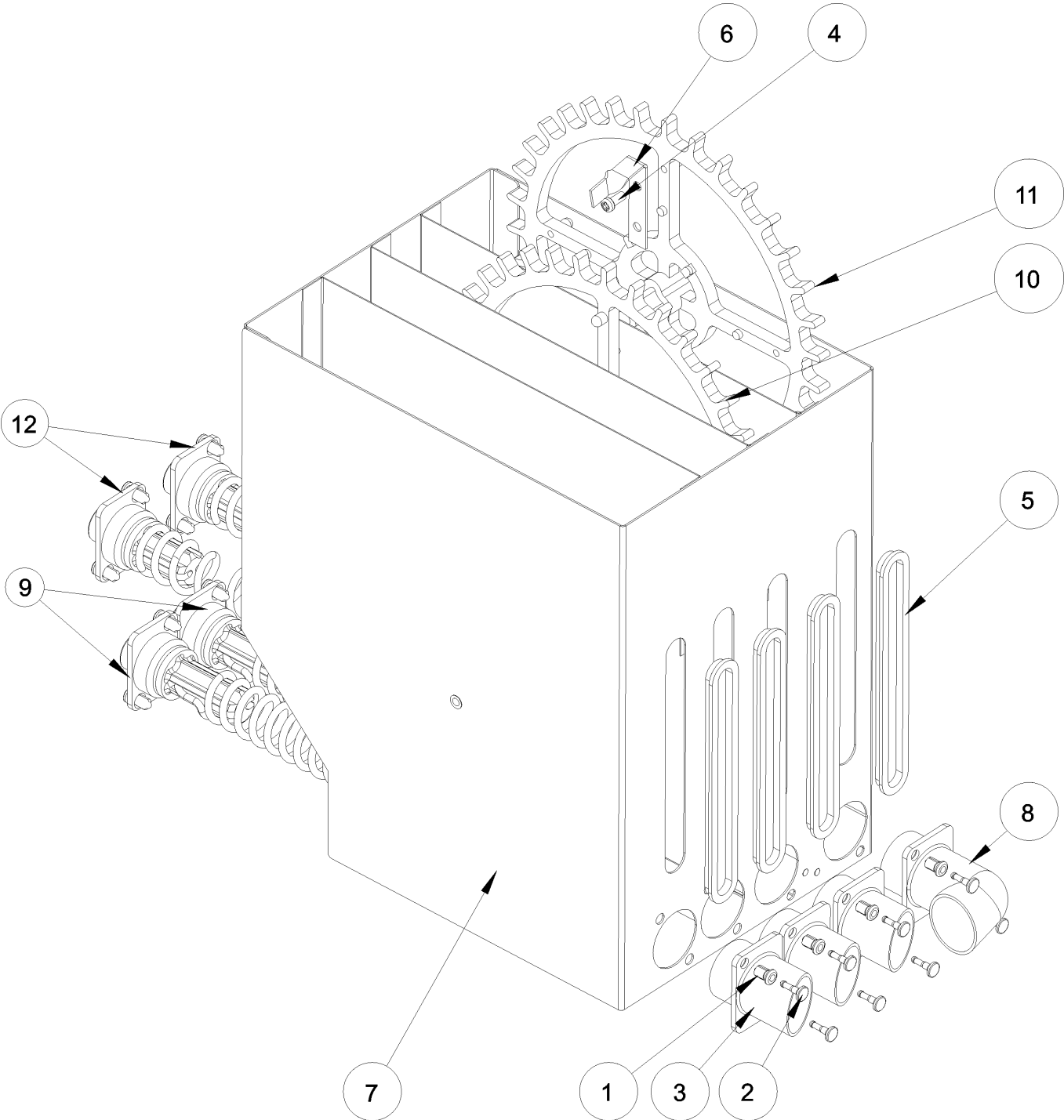
1	970011255264	Whipper base
2	970011256265	Exhaust house
3	970011257266	Quick disconnect type 2
4	970011265274	Impeller type 2
5	970011267276	Fling seal
6	970011287000	Whipper motor 24v DC spec.
7	970011346452	Teflon gasket for whipper
8	970011672267	Whipper house RH trans.
9	970011675000	O-ring $\varnothing 8 \times 1.5$
10	970011676000	O-ring $\varnothing 50.47 \times 2.62$ silicone
11	970011736299	Ingredient funnel - medium
12	970011737300	Cover ingredient funnel – medium
13	970011837000	Bellow for whipper
14	990480006000	O-ring mixing bowl $\varnothing 33 \times 1.78$
15	970011260269R	Mixing bowl RH



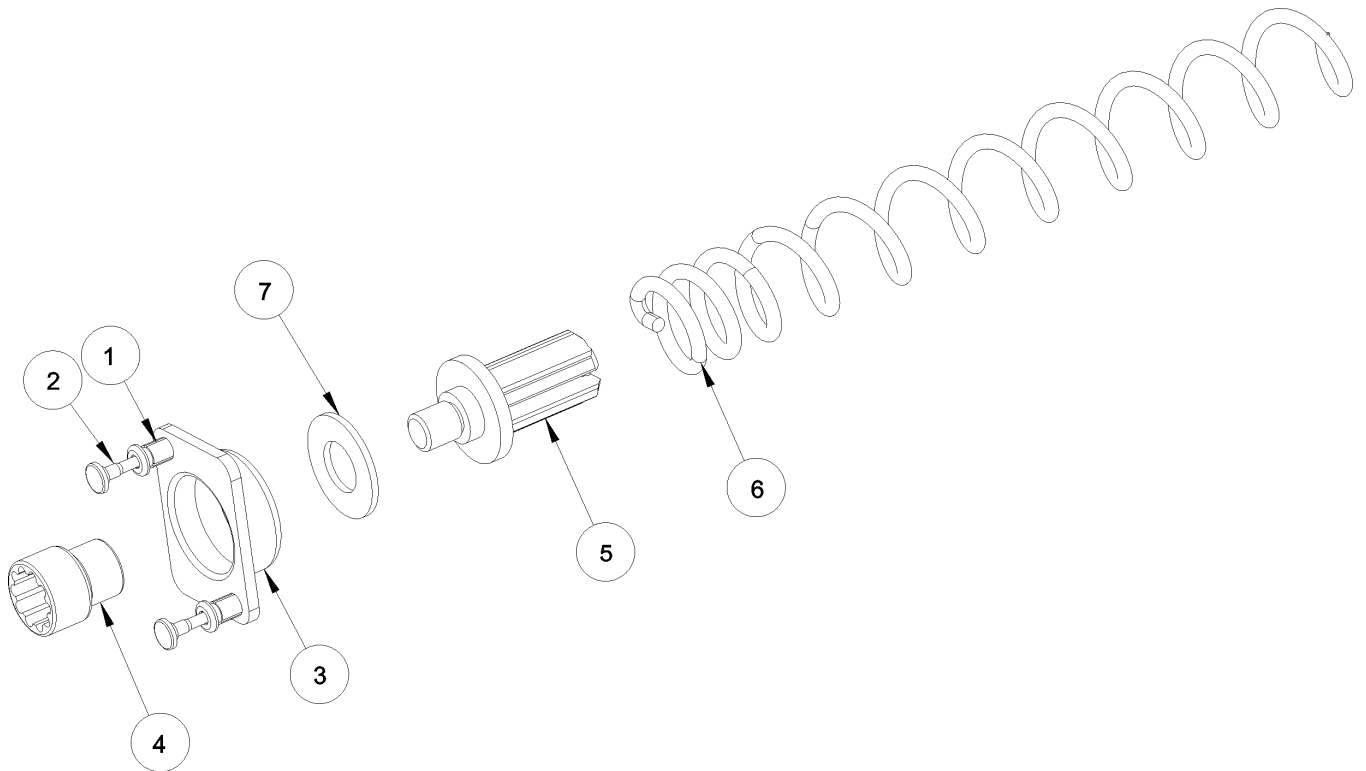
1	1710823	Chock coil – Only for Vision door model
2	2000168	Heyco bushing – Support for harness
3	2000495	Whipper plate
4	2000496	Cover for water tank
5	970010658000	Screw M4x10 mm
6	970010749000	Ingredient motor, 127-82-127rpm
7	970011507619	Holder for outlet pipe
8	970011738000	Ingredient motor, 127rpm.
9	970011815931	Whipper tray
10	970011991000	Outlet pipe
11	970012176309	Silicone tube 7x13 – 45x200 – Water connection
12	970012177310	Silicone tube 7x13 – 45x135 – Water connection
13	970012233000	Prop ø14x11 mm
14	990160010000	Screw M4x8 mm
15	990260044000	M4 Nylock Nut
16	970011659000	Silicone tube 9x15-41x56 Outlet, right whipper
17	GM05009	Whipper system
18	970010908000	Silicone tube 7x13x245 – For tee water
19	990010862000	Silicone tube 8x14x70 for Outlet, left whipper
20	970010908000	Silicone tube 7x13x270 – Overflow from right whipper
21	970010908000	Silicone tube 7x13x300 – Overflow from left whipper
22	970011697000	Silicone tube 11x15x250 – Exhaust from whipper



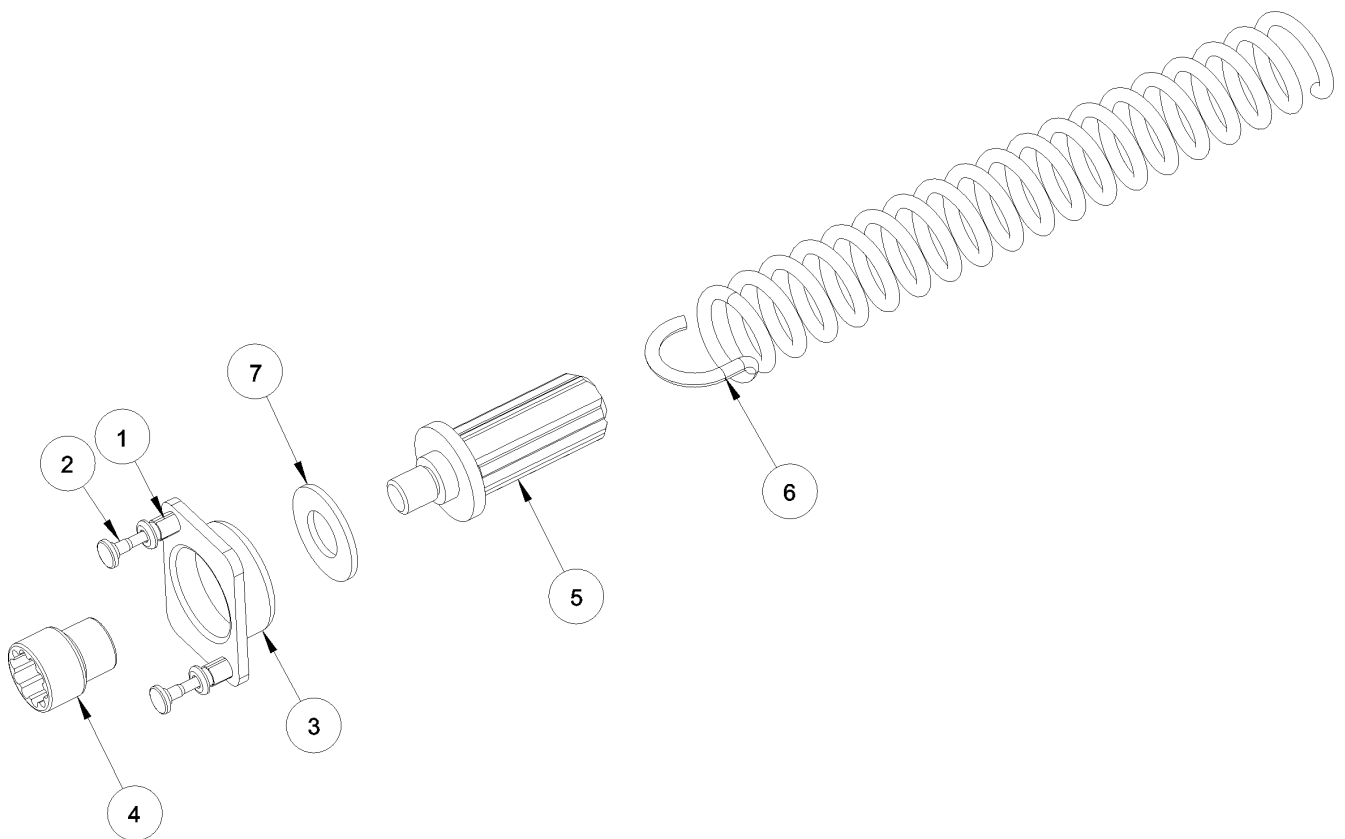
- 1** 970010696000 Bushing for spout
- 2** 970010697000 Tap for bushing
- 3** 970010804000 Ingredient spout std.
- 4** 970010857000 Screw M3.5 x 8 PT
- 5** 970011309409 Window for ingredient bin
- 6** 970011315415 Agitator pin 29 mm
- 7** 970011359466 Ingredient bin – Compact 2+2
- 8** 970011414520 Ingredient spout 45 degrees
- 9** 970011999000 Wire auger slow – complete
- 10** 970012020000 Agitator 27 mm
- 11** 970012077000 Agitator 43 mm
- 12** 970012181000 Wire auger fast – complete



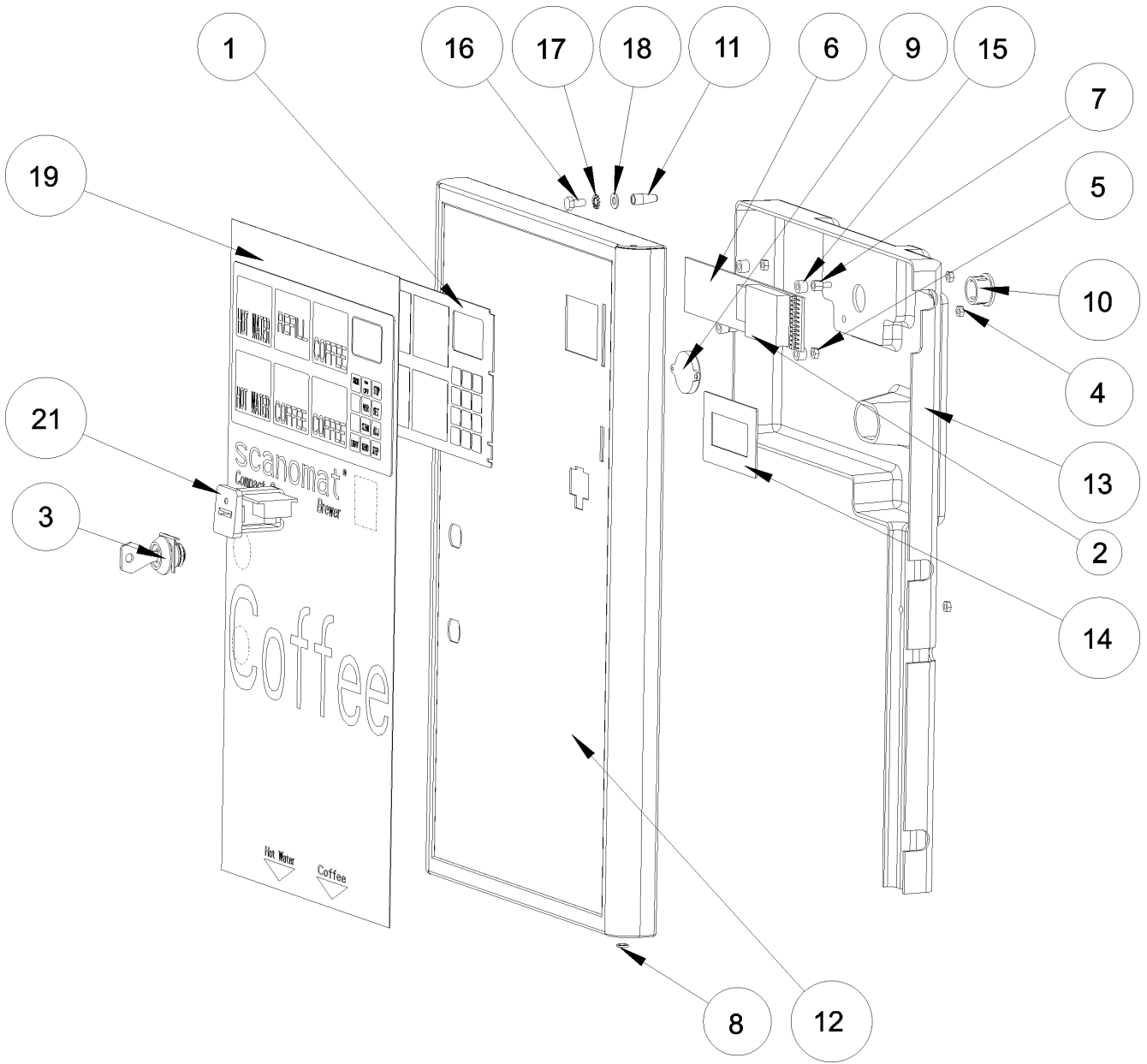
- | | | |
|---|--------------|-------------------------------|
| 1 | 970010696000 | Bushing for spout |
| 2 | 970010697000 | Tap for bushing |
| 3 | 970010795000 | Bearing for auger |
| 4 | 970010796000 | Gear wheel for auger |
| 5 | 970011477590 | Support for fast wire auger |
| 6 | 970011500613 | Wire fast slow |
| 7 | 990950001000 | Felt washer for Ingrid. auger |



- | | | |
|---|--------------|-------------------------------|
| 1 | 970010696000 | Bushing for spout |
| 2 | 970010697000 | Tap for bushing |
| 3 | 970010795000 | Bearing for auger |
| 4 | 970010796000 | Gear wheel for auger |
| 5 | 970011417526 | Support for slow wire auger |
| 6 | 970011901305 | Wire auger slow |
| 7 | 990950001000 | Felt washer for Ingrid. auger |



1	970011220000	Switch for Compact
2	2942000	CPU cable
3	920080001000	Door lock
4	920260012000	Nut M3
5	920310001000	Nut M3 – Nylon
6	970010656000	CPU – print for 4-bit
6	970012428000	CPU – print for 8-bit
7	970010716000	Spacer M3x11
8	970010717000	Washer for door hinge
9	970010766000	Buzzer
10	970011043000	Window for IO – diode
11	970011156241	Lock pin
12	970011345451	Door for Compact
13	970011454565	Cover for CPU board
14	970012449000	Spacer plate for service switch
15	970012558000	Spacer $\varnothing 3,5 \times 5$ mm
16	990010564000	Bolt M4x8 RF
17	990160004000	Shake proof washer ($\varnothing 4,4/\varnothing 8$) x 1.5
18	990260049000	Washer ($\varnothing 4,4/\varnothing 8,8$) x 0,8
19	2000322GEN	6 switch overlay
20	970010978000	Door gasket
21	GM13005	Key card reader with holder



1	2000168	Bushing – glass door
2	2000308	Fluorescent light
3	2000334	Back light cover
4	2000600	Holder for stabiliser
5	2000605	Lower cover for Vision door
6	2000241	Harness for glass door
7	2000607	Upper cover for Vision door
8	2000608	Stabiliser for photo
9	2000609	Photo variation
10	2000790	Vision glass with frame
11	2708000	Starter for flour light UL
12	2000164	Lock bar f. Vision
13	920310001000	Nut M3 Nylon
14	970010717000	Washer for door hinge
15	970010766000	Buzzer
16	970011043000	Window for cover CPU
17	970011156241	Lock pin 6 x 14.4 mm
18	970011220000	Switch Compact
18	2000221	Feather touch panel 6 choice - optional
19	970011309409	Vision glass for ingredient bin
20	970012428000	Main PCB CaféCino 8 bit CPU
21	970012449000	Overlay for service switch
22	970012558000	Spacer 8 bit CPU PCB
23	990010564000	Bolt M4 x 8 SS
24	990160004000	Shake proof washer 4 mm
25	990160010000	Pozidriv M4 x 8
26	990260044000	Nut M4 Nylock
27	990260049000	Flat washer 4 x 9
28	2000205GEN	Overlay for feather touch panel
29	2000601M	Frame for vision door
30	2000244	Door gasket 4x8 x 850 mm
31	970010978000	Door gasket 2x8 x 290 mm
32	2000209	Double adhesive
33	920080001000	Door lock
34	3235000	Cable Vision

