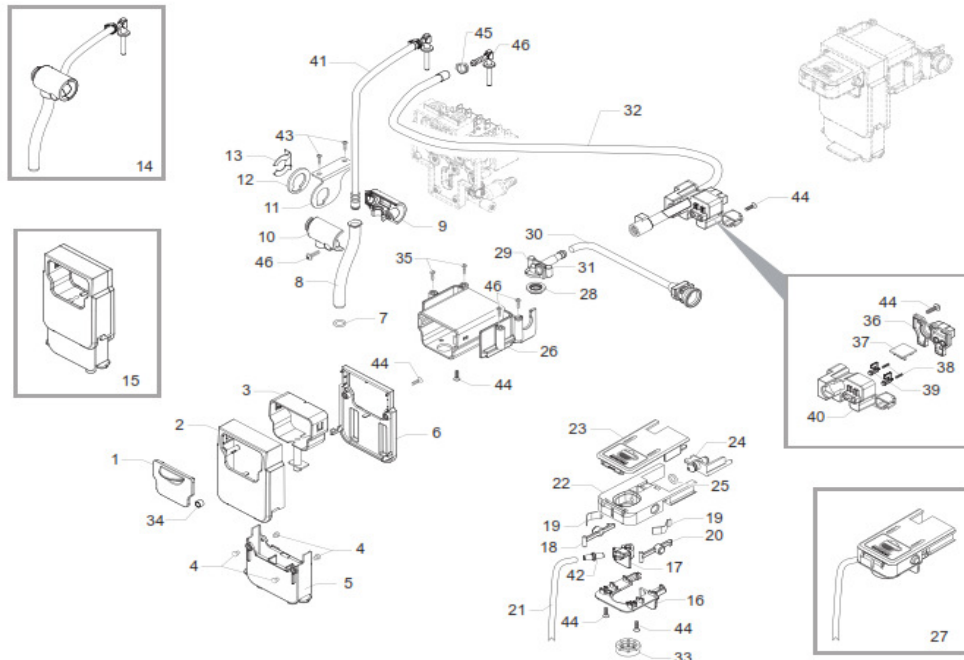
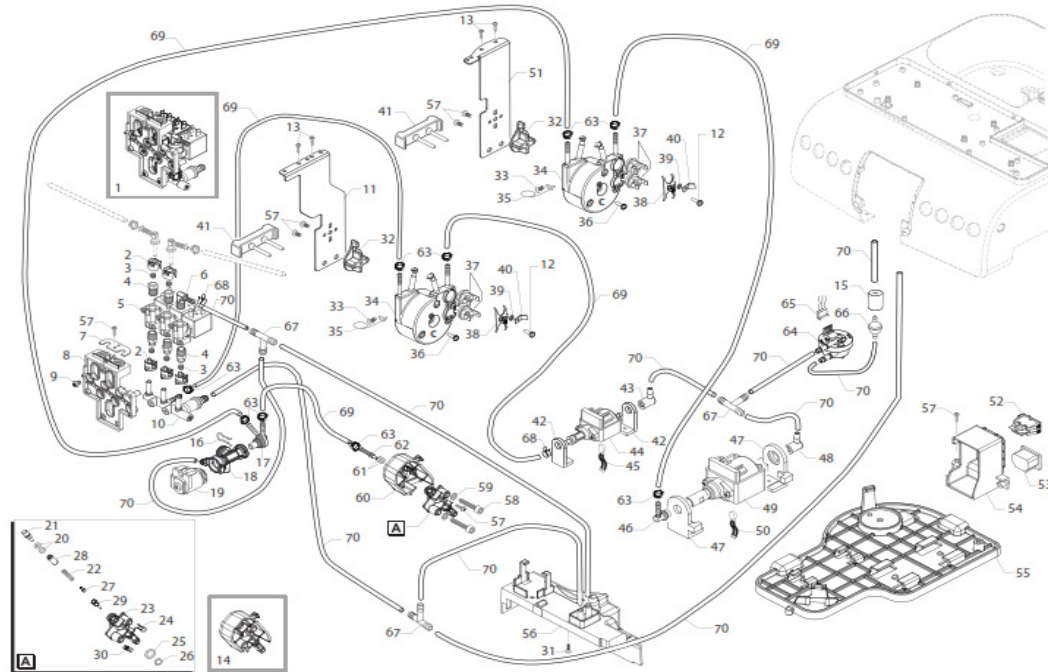


Royal One Touch Capp.



HD8930 - 47 Royal One Touch Capp. E74167 Rev. 01 Code:					
Yellow = Not Available unless Special Ordered					
#	Fox Intl. Part	Canada Part	Part Description	NOTES	Italy Part
1	#N/A	#N/A	GLOSS/SPEC.FRONTCOF.DISP_COVERRYLASSY		11025753
2	#N/A	#N/A	GLOSS/SPEC.FRONTCOF.DISPENSERCOVERRYL		11025756
3	#N/A	#N/A	BLACK INNER BODYCOFFEE DISPENS.RYL		17000251
4	#N/A	11013085	WHITE COFFEE DISPENSER SLIDER MYB9		11013085
5	#N/A	#N/A	BLACKEXT.MOBILEPARTCOF.DISPENSERYL		17000246
6	#N/A	#N/A	BLACKREARCOVERCOFFEEIDISPENSERYL		17000248
7	140321961	140321961	OR 2031 INTERMOIL		
8	#N/A	#N/A	TF/CHROM.STEAMTUBE RYL		11025760
9	#N/A	#N/A	BLACK REAR STEAMTUBE SUPPORTRYL		17000672
10	#N/A	#N/A	BLACK FRONTSTEAMTUBE SUPPORTRYL		17001437
11	#N/A	#N/A	STEELSTEAMTUBE SUPPORTPLATE_RYL		17000815
12	#N/A	11001624	BLACK STEAMTUBE WASHER P0049		11001624
13	NF11.084	NF11.084	PHOSPH/STEELFOLK SPRING		
14	#N/A	#N/A	TF/CHROM.TEA/BRASSSTEAMTUBEV2RYLASS		11027607
15	#N/A	#N/A	GLOSS/SPEC.COFFEE DISPENSER RYLASSY.		11025731
16	#N/A	#N/A	BLACK LOWER CAPPUCCINATORE LID RYL		17000390
17	#N/A	#N/A	MILK INTAKETUBE CONNECTOR RYL		17000336
18	#N/A	#N/A	GREYLEFTCAPPUCCINATORE INSERTRYL		17000389
19	#N/A	#N/A	SS CAPPUCCINATORE INSERTSPRING RYL		17000382
20	#N/A	#N/A	GREYRIGHTCAPPUCCINATORE INSERTRYL		17000402
21	#N/A	229363500	SILICONETUBE 3.5X6 L=400 MM		229363500
22	#N/A	#N/A	BLACKLEFTENTRYCAPPUCCINAT.CASINGRYL		17000338
23	#N/A	#N/A	BLACK UPPER CAPPUCCINAT.LID S/SCR.RYL		11027677
24	#N/A	#N/A	BLACKCAPPUCCINATOREMILKCONNECTORRYL		17000785
25	NM01.028	NM01.028	OR 106 SILICONE		
26	#N/A	#N/A	BLACK.COFFEE DISPENSER SUPPORTRYL		17000257
27	#N/A	#N/A	BLACK CAPPUCCINATORE S/SCR.RYLASSY.		11025751
28	#N/A	#N/A	BLACK SEALFOR COFFEE DISPENSER RYL		17000337
29	#N/A	#N/A	BLACK COFFEE DISPENSERTUBE RYL		17000616
30	#N/A	#N/A	BLACK DISPENSER COFF.INLETCONNECT.RYL		17000614
31	11014016	11014016	SS INSERTFOR MAGNETMYB9		
32	#N/A	#N/A	BLKCAPPUCC.OUTPUTSTEAMCONNECT.KITRYL		20007031
33	#N/A	#N/A	BLACKCAPPUCC.OUTPUTMILKCONNECTORRYL		17000486
34	#N/A	9161111	MAGNETE X GALLEGGIANTE SUPERAUTOM.		9161.111
35	12000450	12000450	SCREWTCBRTORX 10 3.5X12 PLAST.ZN-N		
36	#N/A	#N/A	BLKCAPPUCCINATOREBOARDSUPP_COVERRYL		17000348
37	#N/A	#N/A	CAPPUCCINATORE BOARD RYL		11025772
38	#N/A	#N/A	SS CARAFE MICRO INSERTSPRING MYB9		17000019
39	#N/A	#N/A	BLACKCAPPUCCINATOREPRESENCEINSERTRYL		17000421
40	#N/A	#N/A	BLACKCAPPUCCINATOREBOARDSUPPORTRYL		17000339
41	#N/A	#N/A	BLACK OUTPUTSTEAMTUBE KITRYL		20007030
42	#N/A	#N/A	BLK MILK INTAKETUBE CONNECT.INS.V2 RYL		17001362
43	#N/A	#N/A	SCREWTCBTORX B 3,5X9,5 SCHEETNIK		12001622
44	12000895	12000895	SCREWTSPTORX 10 3X10 PLAST.SS		
45	NF11.052	NF11.052	OETIKER CLIP		
46	#N/A	#N/A	TEA/BRASSCAPPUCC/STEAMTUBECONN.V2RYL		11027337

Royal One Touch Capp.

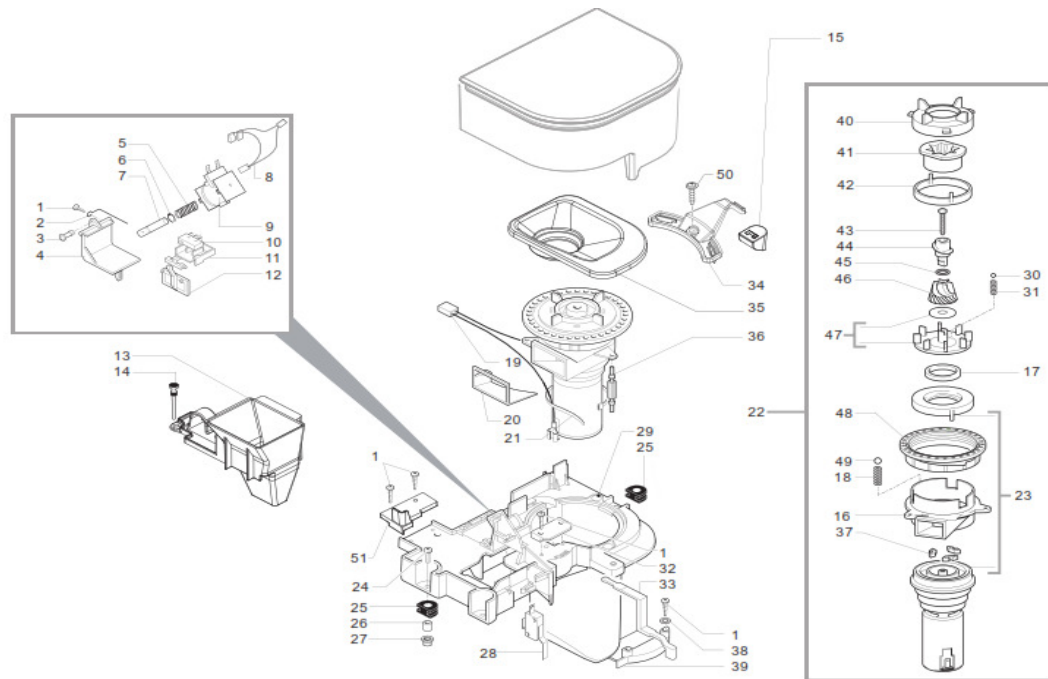


HD8930 - 47
Royal One Touch Capp.
E74167 Rev. 01 Code:

Yellow = Not Available unless Special Ordered

#	Fox Intl. Part	Canada Part	Part Description	NOTES	Italy Part
43	11012193	11012193	90° INLETCONNECTOR FOR PUMPULKAMF		
44	12001346	12001346	ULKAPUMPMF 120V-60HZ		
45	#N/A	#N/A	2POLES CONNECTOR STEAM PUMPRYLUL		17800203
46	11001054	11001054	BLK PUMPOUTLET90°CONNECTOR P0049/B		
47	11022857	11022857	BLACK PUMPSUPPORTGMYB		
48	147920150	147920150	90° INLETPUMPCONNECTOR		
49	12000140	12000140	ULKAPUMPEP5/S GW 230V-50HZ	Not In The USA	12000140
	12000131	12000131	ULKAPUMPEP5/S GW 120V-60HZ		
50	#N/A	#N/A	2POLES CONNECTOR COFFEE PUMPRYLUL		17800202
51	#N/A	#N/A	STEELCOFFEETUBOL_BOILER_SUPPORTRYL		17000163
52	NE03.038	NE03.038	BIPOLAR SWITCH FUSITC1250AR		
53	#N/A	#N/A	CUPSOCKETV2 EN 60320 C 13		12001645
54	#N/A	#N/A	BLACK SOCKET-SWITCH SUPPORTRYLUL USA-TWN		11028204
55	#N/A	#N/A	BLACK COMPONENTS SUPPORTRYL		17000160
56	#N/A	#N/A	BLACK DRIPTRAYPROTECTION RYL		17000165
57	12000450	12000450	SCREWTCBRTORX 10 3,5X12 PLAST.ZN-N		
58	#N/A	#N/A	GALVANIZED SELF-TAPPING SCREW 4,8X32		11003555
59	128310521	128310521	WASHER UNI 8842A5 SS		
60	#N/A	#N/A	BLACK HOTWATER PIN SUPPORTRYL		17000156
61	140328059	140328059	OR 2015 IN SILICONE PTFE/FDA		
62	11000750	11000750	TEA/BRASS CONNECTOR FOR SILICONETUBE		
63	12000892	12000892	OETIKER CLAMPD=9,5 16700004		
64	NV99.099	NV99.099	TURBINE D=1,2 932-8521/00ASSY.		
65	#N/A	#N/A	6POLES CONNECTOR FLOWMETER RYLUL		17800214
66	12001595	12001595	TRANSP/WHITEASPIRATION FILTER MDS		
67	147920300	147920300	TRANS.CONNECTOR D=8ART.80.26.047 KA.461		
68	184320200	184320200	SPRING HOSE CLAMPD=9,5MM		
69	16000380	16000380	5X8,9 SILICONETUBE IN ROLL		
70	JS01.022	JS01.022	SILICONETUBE 5X10 60SH IN ROLL		
	#N/A	#N/A	BLOWDOWN VALVE V3 RYLASSY. 120V	WITH PART.N°16-17-18-19	11028187
	#N/A	#N/A	COFFEETUB.BOILER RYLASSY. 120V-1300W	WITH PART.N°12-32-34-35-36-37-38-39-40-41-51-57	11028182
	#N/A	#N/A	STEAMTUB.BOILER RYLASSY. 120V-1300W	WITH PART.N°11-12-32-34-35-36-37-38-39-40-41-57	11028183

Royal One Touch Capp.



HD8930 - 47 Royal One Touch Capp. E74167 Rev. 01 Code:					
Yellow = Not Available unless Special Ordered					
#	Fox Intl. Part	Canada Part	Part Description	NOTES	Italy Part
1	129913902	129913902	SCREWTORX 10 3X12 PLAST.ZN-B		
2	9161.048	9161.048	DOSE DOOR HINGE SPRING		
3	#N/A	#N/A	DOSE DOOR PIN GREY		9161.076.150
4	#N/A	#N/A	DOSE DOOR GREY		9161.074.150
5	126764818	126764818	SPRING ELECTROM.BEAN DOSE MAGIC		
6	U701.003	U701.003	SNAPRING 7 UNI 7434		
7	9161.041	9161.041	SOLENOID PLUNGER VSPRESSO		
8	#N/A	#N/A	4POLESCONNECT.COIL+DOSEMICRORRYLUL		17800211
9	#N/A	#N/A	DOSECOILFORSUPERAUTOM.24VDCASSY.		11025734
10	NE05.017	NE05.017	MICROSWITCH		
11	9161.072.150	9161.072.150	MICRO SUPPORTCURSOR GREY		
12	9161.073.150	9161.073.150	DOSE CONTROLCOMPENSATOR GREY		
13	#N/A	#N/A	BLACK HOPPER FOR POWDER COFFEE RYL		17000176
14	9161082	#N/A	RUBBER PEG		9161.082
15	#N/A	#N/A	BLKGRINDINGADJUSTM.LEVERHANDGRIPRYL		17000351
16	9141.080	9141.080	MOTOR SUPPORT		
17	140360200	140360200	FELTRING 40X34X5		
18	#N/A	126770117	NEW SPRING SPHERE D=3,2 MOTOR MAGIG		126770117
19	#N/A	#N/A	2POLESCONNECTORGRINDERMOTORRYLUL		17800209
20	#N/A	1505014	COFFEEGRINDER SEAL		1505.014
21	#N/A	144320200	SELF LOCK STRIPW=2,6 L=200		144320200
22	9140.036.00F	9140.036.00F	COFFEE GRINDER STD ASSY. 120V USA-TWN		
23	0301.R10.00F	0301.R10.00F	SPARE MOTOR UNITMC 120V USA-TWN		
24	U043.004	U043.004	ZN-BTCB SCREW M4X16		
25	9991005	#N/A	MOTOR MOUNT, GRIDER, PROFIMAT		9991.005
26	#N/A	#N/A	SPACER FOR RUBBER		9141.003
27	#N/A	#N/A	NUTM4 FLANGED INDENTED BASE		U324.006
28	#N/A	#N/A	MICROSWITCH		12001605
29	#N/A	#N/A	GREYPLATE COFFEEGRINDER MAGIC/ROYAL		9161.365.150
30	128610521	128610521	STAIL STEEL AISI 304 SPHERE D=5,5MM		
31	126765517	126765517	STEELSPRING SPHERE D=5,5 MOTOR MAGIC		
32	#N/A	#N/A	LEVER FIXING PLATE GREY		9161.097.150
33	#N/A	#N/A	ADJUSTMENTLEVER GREYRAL7016		0313.003.150
34	#N/A	#N/A	BLACK GRINDINGADJUSTM.LEVER RYL		17000198
35	#N/A	#N/A	COFFEEGRINDERSOUNDPROOFINGCOVERRYL		17000238
36	9991.103	9991.103	COFFEE GRINDER ANTIVIBRATION		
37	#N/A	140230400	SHOCKABS .CONICALGRINDER SUPP.MAGIC		140230400
38	U201.001	U201.001	PLAIN WASHER 3,2X9 DIN 7349 GALV.		
39	#N/A	#N/A	GREYCOFFEE DOSEADJUSTMENTSCALE		9161.403.150
40	149186150	149186150	BLACK UPPER GRINDER SUPPORTMAGIC		
41	#N/A	#N/A	PARTICULARNOTAVAILABLE SEEPART.N°46		
42	142844550	142844550	UPPERGRINDERCOVERCOFFEEGRIND.MAGIC		
43	#N/A	129931002	TORX SCREW T10TCB 3,5X40 SX ZNG		129931002
44	147470763	147470763	INCREASESCREW PINCOFFEEGRINDERMAGIC		
45	U201.002	U201.002	PLAIN WASHER 10X16X0,2DIN 988 GAL		
46	#N/A	226477700	KIT TITAN MILLGRINDERS	WITH PART.N°41	226477700
47	149188750	149188750	CONICALGRIND. SUPP. + RING MAGIC		
48	#N/A	146570950	RINGNUTFORGRINDINGADJUSTMENTMAGIC		146570950
51	#N/A	#N/A	GREYCOVER FOR DOSE HOLE RYL		17001155

