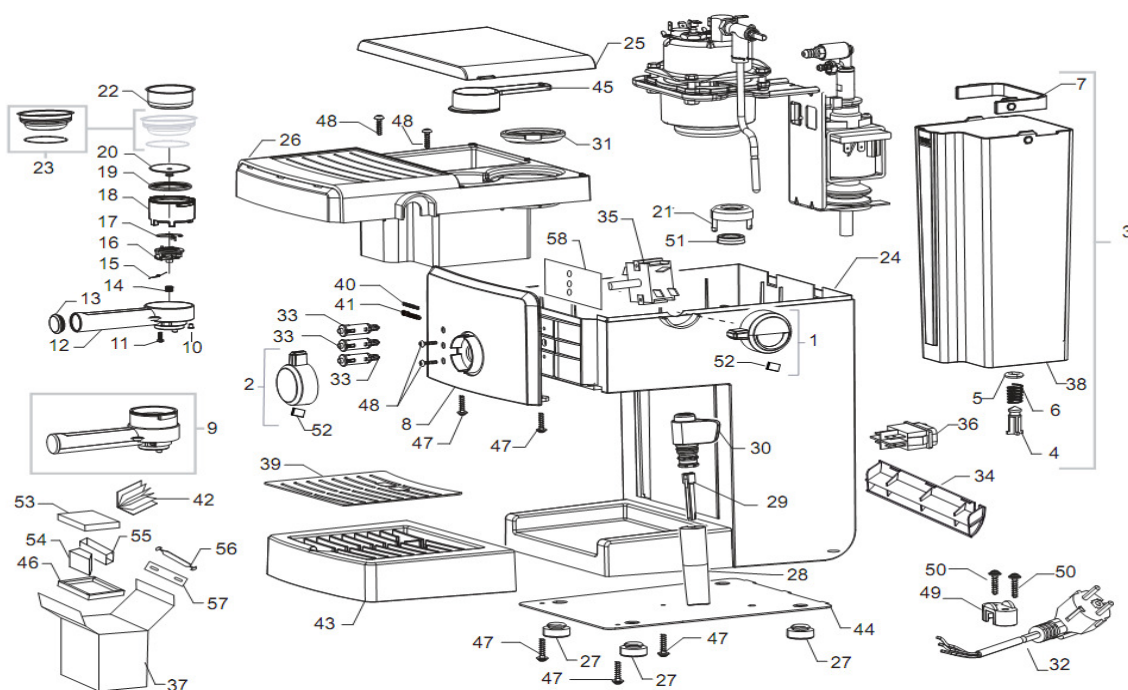


HD8327 / 47
Poemia TOP
E74168 Rev.03

Yellow = Not Available unless Special Ordered

| # | Fox Intl. Part | Canada Part | Part Description | NOTES | Italy Part |
|----|----------------|--------------|--|-------|------------|
| 1 | #N/A | #N/A | CHROM.WATER-STEAM KNOB S/SCR.ABCASSY. | | 11026897 |
| 2 | #N/A | #N/A | CHROM.CONTROLKNOBABCASSY. | | 11026901 |
| 3 | #N/A | #N/A | TRANSP.WATER CONTAINER S/SCR.ABCASSY. | | 11024799 |
| 4 | 147660562 | 147660562 | WATER TANK VALVE PISTON GREY | | |
| 5 | 140324362 | 140324362 | SILICONE O-RING 0060-30 IN METRIC | | |
| 6 | 126764718 | 126764718 | WATER TANK VALVE SPRING | | |
| 7 | #N/A | #N/A | BLACK HANDLE WATER CONTAINERABC | | 11024822 |
| 8 | #N/A | #N/A | CHROM/SS FRONT PANELS/SCR.ABC/M-TASSY. | | 11025458 |
| 9 | #N/A | #N/A | BLACKALUM. PRES.FILTERHOLDERABCASSY. | | 11026924 |
| 10 | #N/A | 123591309 | BRASS SPACER FOR PRESS.FILTERHOLDER | | 123591309 |
| 11 | #N/A | 129730721 | TCB SCREW PZ/SW 4X12 UNI 8112 SS | | 129730721 |
| 12 | #N/A | #N/A | BLK PRESS.FILTERHOLDER HANDLEABC | | 11025501 |
| 13 | #N/A | #N/A | CHROM.FILTERHOLDER HANDLE CAPABC | | 11025502 |
| 14 | #N/A | 126769918 | SPRING FILTH .NE.VAL.MEC.TAKEOFF L=13 | | 126769918 |
| 15 | #N/A | 126768418 | SS,SPRING FOR CAM PRESS.FILTERHOLDER | | 126768418 |
| 16 | #N/A | 229181800 | GREY PRESS.FILTERHOLDER PIN SUPPORT ASSY | | 229181800 |
| 17 | #N/A | 126835818 | SS,SPRING FILTERHOLD.HAND.PRES/MEC. | | 126835818 |
| 18 | #N/A | 228771628 | POLISH/ALUM PRES FILTERH W TONG W/GROOVE | | 228771628 |
| 19 | 145847762 | 145847762 | PRESS.FILTERHOLDER CONVEYOR SEAL | | |
| 20 | #N/A | 142862959 | CONVEYOR HOLE 1,7 PRESS.FILTERHOLDER | | 142862959 |
| 21 | 0701.031.150 | 0701.031.150 | WATER TANK VALVE INLET COVER | | |
| 22 | 124650221 | 124650221 | 2CUP FILTER 54,5X25 W/O.NOT.HOLE D=48 | | |
| 23 | #N/A | #N/A | SPARES KIT POD FILTER + SPRINGABC | | 20007036 |
| 24 | #N/A | #N/A | SS/SILVER CASINGABC/TASSY. | | 11027798 |
| 25 | #N/A | #N/A | SS/SILVER WATER CONTAINER LIDABC/TASSY | | 11027797 |
| 26 | #N/A | #N/A | SS/SILVER CASING COVERABC/TASSY. | | 11027796 |
| 27 | 147623150 | 147623150 | ADHESIVE FOOT | | |
| 28 | 11001621 | 11001621 | SS PANNARELLO COVER | | |
| 29 | 11001620 | 11001620 | PANNARELLO INTERNAL TUBE | | |
| 30 | 11007194 | 11007194 | BLACK STEAM TUBE HANDGRIP G0053 | | |
| 31 | #N/A | #N/A | SS BOIL.PRES.FILTERHOLD.SEALH=11,3 60SH | | 11025662 |
| 32 | #N/A | #N/A | BLACKPOWERCABLEUSASJT3X18AWGL=1550 | | 17800390 |
| | | | | | |
| | | | | | |
| | | | | | |
| | | | | | |
| | | | | | |
| | | | | | |
| | | | | | |
| | | | | | |
| | | | | | |
| | | | | | |
| | | | | | |
| | | | | | |
| | | | | | |
| | | | | | |
| | | | | | |
| | | | | | |
| | | | | | |
| | | | | | |
| | | | | | |
| | | | | | |
| | | | | | |
| | | | | | |
| | | | | | |
| | | | | | |

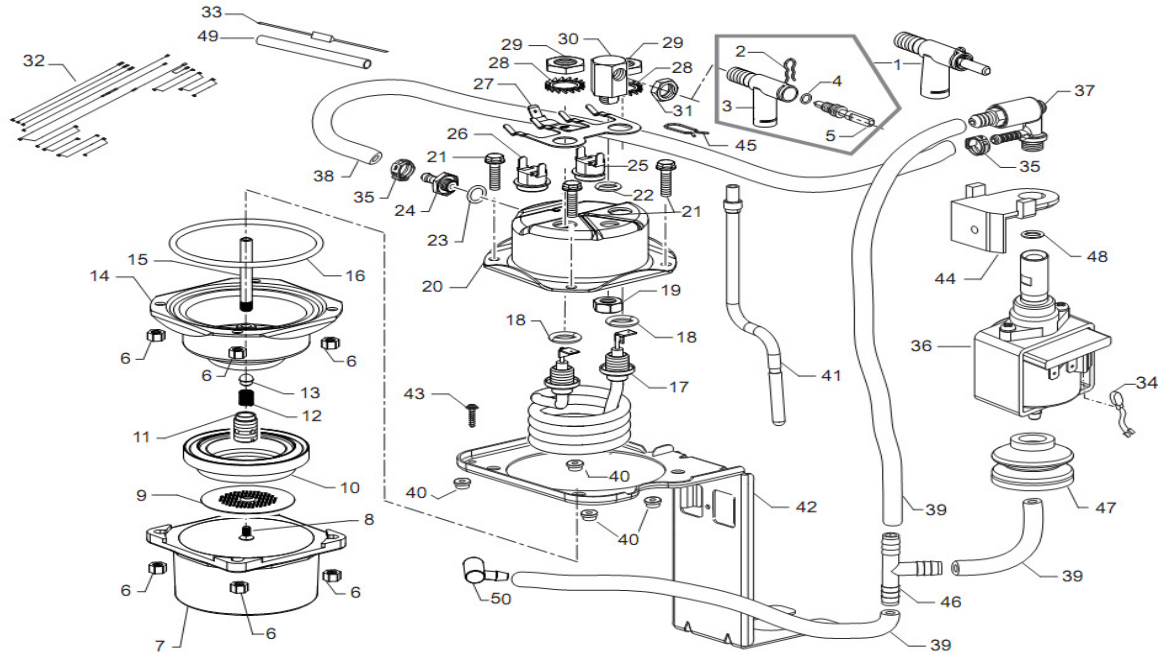


HD8327 / 47
Poemia TOP
E74168 Rev.03

Yellow = Not Available unless Special Ordered

| # | Fox Intl. Part | Canada Part | Part Description | NOTES | Italy Part |
|----|----------------|-------------|--|-------|------------|
| 33 | #N/A | #N/A | GREEN NEON LAMPABC | | 11026889 |
| | #N/A | #N/A | GREEN NEON LAMPABC UL | | 11029642 |
| 34 | #N/A | #N/A | SILVER REAR LOWER CASING COVERABC | | 11029465 |
| 35 | #N/A | #N/A | ROTARY SWITCHYA-2215 FOR P234 | | 17800508 |
| 36 | NE03.038 | NE03.038 | BIPOLAR SWITCH FUSIT C1250AR | | NE03.038 |
| 37 | #N/A | #N/A | DISPLAY BOXABC/T.PSAPOEMIA | | 13001375 |
| 38 | #N/A | #N/A | SS CUP WARMING LIDABC/M | | 11025493 |
| 39 | #N/A | #N/A | SS GRATE FOR DRIPTRAYABC/M | | 11024828 |
| 40 | #N/A | #N/A | ADHES.SILVER PLATE LOGO PHILIPS | | 11024301 |
| 41 | 11011406 | 11011406 | ADHESIVE SILVER PLATE LOGO SAECO P0057 | | 11011406 |
| 42 | #N/A | #N/A | MANUALPSAHD8323/HD8325 GB/DE/FR/ES/SA | | 15003069 |
| 43 | #N/A | #N/A | SS/SILVER DRIPTRAYABC/TASSY. | | 11027795 |
| 44 | #N/A | #N/A | STEELCASING BOTTOMABC UL | | 11029641 |
| 45 | #N/A | #N/A | BLACK GROUND COFFEE MEASUREABC | | 11025503 |
| 46 | #N/A | #N/A | CARTON LOWER INSERT BOXABC | | 13001377 |
| 47 | #N/A | 129912504 | SCREW TORX 35X14 UNI9786 GALVANIZED | | 129912504 |
| 48 | 129913902 | 129913902 | GALVANIZED SCREW 1452 K 301X12 WN | | |
| 49 | #N/A | 148600600 | CABLE CLAMP V0 MAGIC ESP COMBI UL | | 148600600 |
| 50 | 12000450 | 12000450 | TCBR TORX 10 SCREW 3.5X12 PLAST.ZN-N | | |
| 51 | 145842900 | 145842900 | WATER TANK GASKET | | |
| 52 | #N/A | #N/A | STEELSPRING FOR CONTROLKNOBABC | | 11029342 |
| 53 | #N/A | #N/A | CARTON UPPER INSERTBOXABC | | 13001520 |
| 54 | #N/A | #N/A | CARTON CENTRALINSERTBOXABC | | 13001497 |
| 55 | #N/A | #N/A | CARTON FILTERHOLDER PROTECT.INSERTABC | | 13001496 |
| 56 | #N/A | #N/A | TRANSP.HANDLE FOR DISPLAY BOXABC | | 13001514 |
| 57 | #N/A | #N/A | DISPLAY BOX HANDLE REINFORCEMENTABC | | 13001515 |
| 58 | #N/A | #N/A | NOMEX PROTECTION FOR ROTARYSWITCHABC | | 11029644 |
| | | | | | |
| | | | | | |
| | | | | | |
| | | | | | |
| | | | | | |
| | | | | | |
| | | | | | |
| | | | | | |
| | | | | | |
| | | | | | |
| | | | | | |
| | | | | | |
| | | | | | |
| | | | | | |
| | | | | | |
| | | | | | |
| | | | | | |
| | | | | | |
| | | | | | |
| | | | | | |
| | | | | | |
| | | | | | |
| | | | | | |
| | | | | | |
| | | | | | |

Poemia TOP



HD8327 / 47
Poemia TOP
E74168 Rev.03

Yellow = Not Available unless Special Ordered

| # | Fox Intl. Part | Canada Part | Part Description | NOTES | Italy Part |
|----|----------------|-------------|---|-------|---------------|
| 1 | #N/A | #N/A | L-F/BRASS V2 STEAM FAUCET/ABCASSY. | | 17000512 |
| 2 | #N/A | #N/A | SS FORK FOR TUBE D.4 | | 9011.144 |
| 3 | #N/A | #N/A | L-F/BRASS STEAM FAUCET FOR SS BOILER/ABC | | 11025139 |
| 4 | #N/A | #N/A | OR 2018 IN VITON 70SH | | WGADM0041/031 |
| 5 | #N/A | #N/A | L-F/BRASS FAUCET SHAFT SS.BOILER NEWGEN | | 11024775 |
| 6 | 123160502 | 123160502 | M5 NUT UNI 5587-68 | | |
| 7 | #N/A | #N/A | POLISHED FILTER/HOLD/LOCKING RING/ABCASSY | | 17000384 |
| 8 | 129854021 | 129854021 | SCREW M4X8 UNI 7688 | | |
| 9 | 123741421 | 123741421 | FILTER SCREEN BREW GROUP SS | | |
| 10 | 145841500 | 145841500 | BREW HEAD GASKET NEW STYLE | | |
| 11 | #N/A | #N/A | SS VALVE HOLD SCREW SS BOILER | | 11023968 |
| 12 | EF0013 | EF0013 | Spring 5-7 Bar, Boiler Valve | | |
| 13 | 149450588 | 149450588 | VALVE, SILICONE BALL | | |
| 14 | #N/A | #N/A | SS.LOWER BOILER CASING+SS HUB | | 17000436 |
| 15 | #N/A | #N/A | SS INTERNAL TUBE FOR SS BOILER | | 11023931 |
| 16 | 140322962 | 140322962 | O-Ring Silicone 176 IN | | |
| 17 | #N/A | #N/A | HEAT ELEMENT+ SS TERMINAL 120V-900W | | 11024001 |
| 18 | NM01.021 | NM01.021 | SILICONE O-RING 2050 | | |
| 19 | #N/A | #N/A | SS NUT 1/8 GAS H=6 CH=14 | | 11023888 |
| 20 | #N/A | #N/A | SS M8 UPPER BOILER CASING W/BACKET | | 17000501 |
| 21 | 129680802 | 129680802 | SCREW W/WASHER M5X20 | | |
| 22 | 140323062 | 140323062 | O-Ring 2043 Silicone | | |
| 23 | #N/A | #N/A | OR 2037 IN SILICONE | | 140322162 |
| 24 | #N/A | #N/A | SS THREAD STRAIGHT FIT.FOR SS.BOILER/ABC | | 17000444 |
| 25 | 189422000 | 189422000 | Thermostat 95° INT-01L-0036 | | |
| 26 | 189425100 | 189425100 | THERMOSTAT 127° INT-01L-0499 | | |
| 27 | #N/A | #N/A | SS BOILER 2THERM.FIXING SPRING | | 17000988 |
| 28 | 128311204 | 128311204 | BUNISHED WASHER A12 UNI 8842 | | |
| 29 | 123452000 | 123452000 | NUT M12X1.25 H=4 5MM | | |
| 30 | #N/A | #N/A | SS THREAD CONNECTOR FAUCET/SS.BOILER/ABC | | 17000511 |
| 31 | 123390420 | 123390420 | NUT 1/8" H=45 | | |
| 32 | #N/A | #N/A | WIRING/ABCASSY. | | 11026888 |
| | #N/A | #N/A | WIRING/ABC ULASSY. | | 17800409 |
| 33 | #N/A | 189300800 | THERMAL FUSE 184°C 4358 A | | 189300800 |
| 34 | #N/A | 289200100 | ASS.TERMOPROT.100 C (ULKA) | | 289200100 |
| 35 | 12000892 | 12000892 | TUBE CLAMP OETIKER CLIP D=9 | | |
| 36 | #N/A | 12000182 | ULKA PUMP EP5.S GW 220V-60HZ | | 12000182 |
| | 12000142 | 12000142 | PUMP ULKA 120V 60HZ | | |
| 37 | 11004689 | 11004689 | SAFETY VALVE BAR ASSEMBLY V2-P0049 | | |
| 38 | 16000380 | 16000380 | SILICONE TUBE 5X8 9 1 METER (3.28FT) | | |
| 39 | #N/A | #N/A | TRANSP.SILICONE TUBE 5X9 65SH IN ROLL | | 149361400 |
| 40 | #N/A | #N/A | BLACK BOILER SPACER/ABC | | 11025697 |
| 41 | #N/A | #N/A | SS STEAM TUBE/ABCASSY. | | 11024852 |
| 42 | #N/A | #N/A | STEEL/BOILER/AND POMP SUPPORT/ABC | | 11025700 |
| 43 | 12000450 | 12000450 | TCBR TORX 10 SCREW 3.5X12 PLAST.ZN-N | | |
| | | | | | |
| | | | | | |
| | | | | | |
| | | | | | |
| | | | | | |
| | | | | | |
| | | | | | |
| | | | | | |
| | | | | | |