

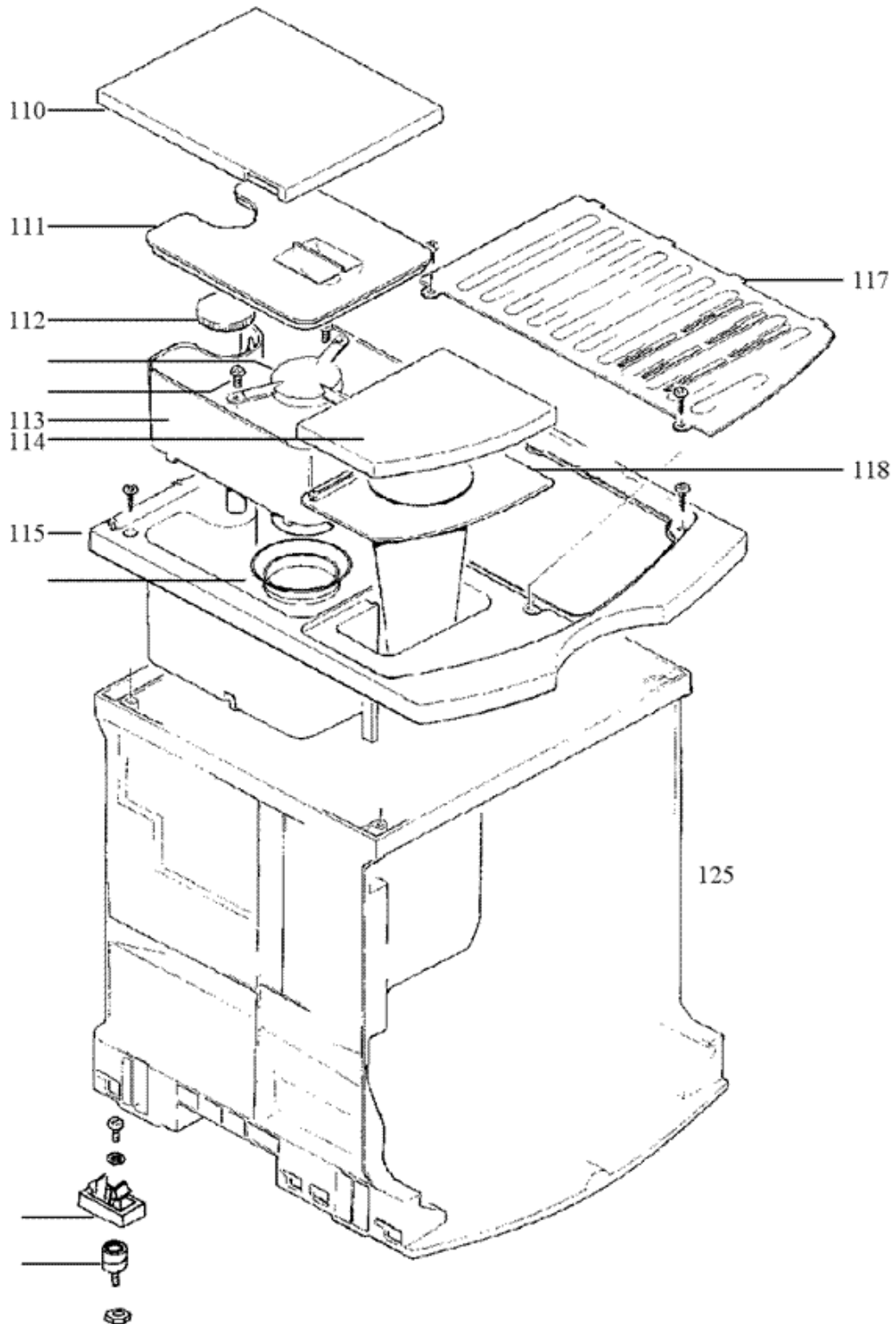
The recycling passport is valid for the following articles:

12927	Imprensa X90 black (CH)
12928	Imprensa X90 black (EU)
12929	Imprensa X90 black (BÄKO)
12952	Imprensa X90 black (UL)
13027	Imprensa X90 black (GAGGIA)
13056	Imprensa X90 black (JAPAN)
13058	Imprensa X90 schwarz (ALGIE)
13077	Imprensa X95 platinum (CH)
13078	Imprensa X95 platinum (EU)
13107	Imprensa X95 platinum (KR)

The Variant designations mean:

(1) Case cover

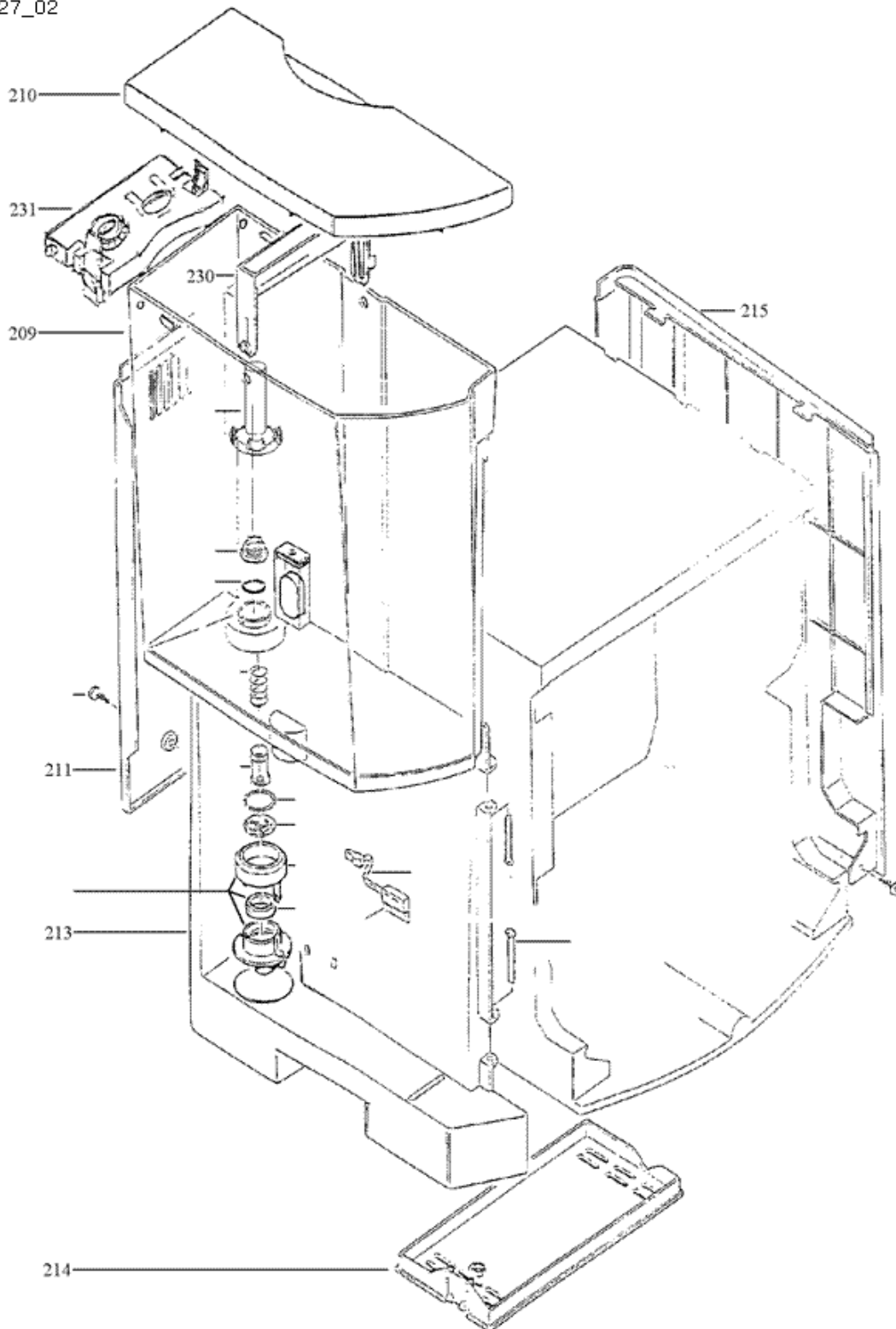
S12927_01



Pos	Designation	Material	Disassembly	Disposal	Variation	Return
0110	Bean container lid	ABS				
0111	Lid to preserve aroma	SAN				
0112	Turn-knob black printed	PP				
0113	Bean container assembled	PP / ABS / NBR / Steel				
0114	Powder funnel lid black	ABS				
0115	Housing lid complete black	ABS / Messing				
0117	Cup support	High-grade steel				
0118	Powder funnel black	ABS				
0125	Components support X70/90	ABS				

(2) Case components and water tank

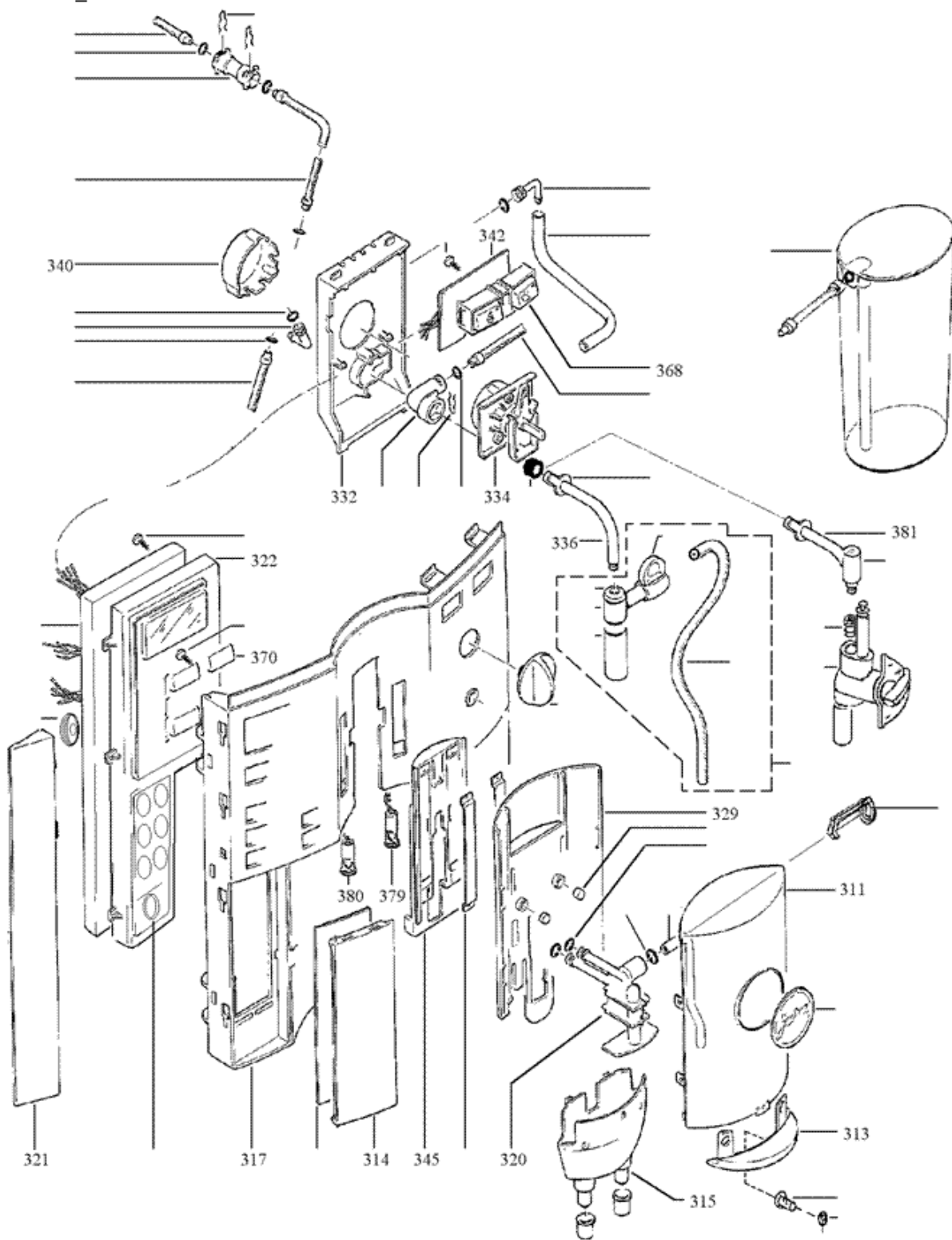
S12927_02



Pos	Designation	Material	Disassembly	Disposal	Variation	Return
0209	Water tank X90 complete	Plastic				
0210	Tank lid black	ABS				
0211	Back black	ABS				
0213	Tank base black	ABS				
0214	Cover cable case	ABS				
0215	Right side section	ABS				
0230	Carrying handle for water cont	PA				
0231	Bracket X90	ABS / PP				

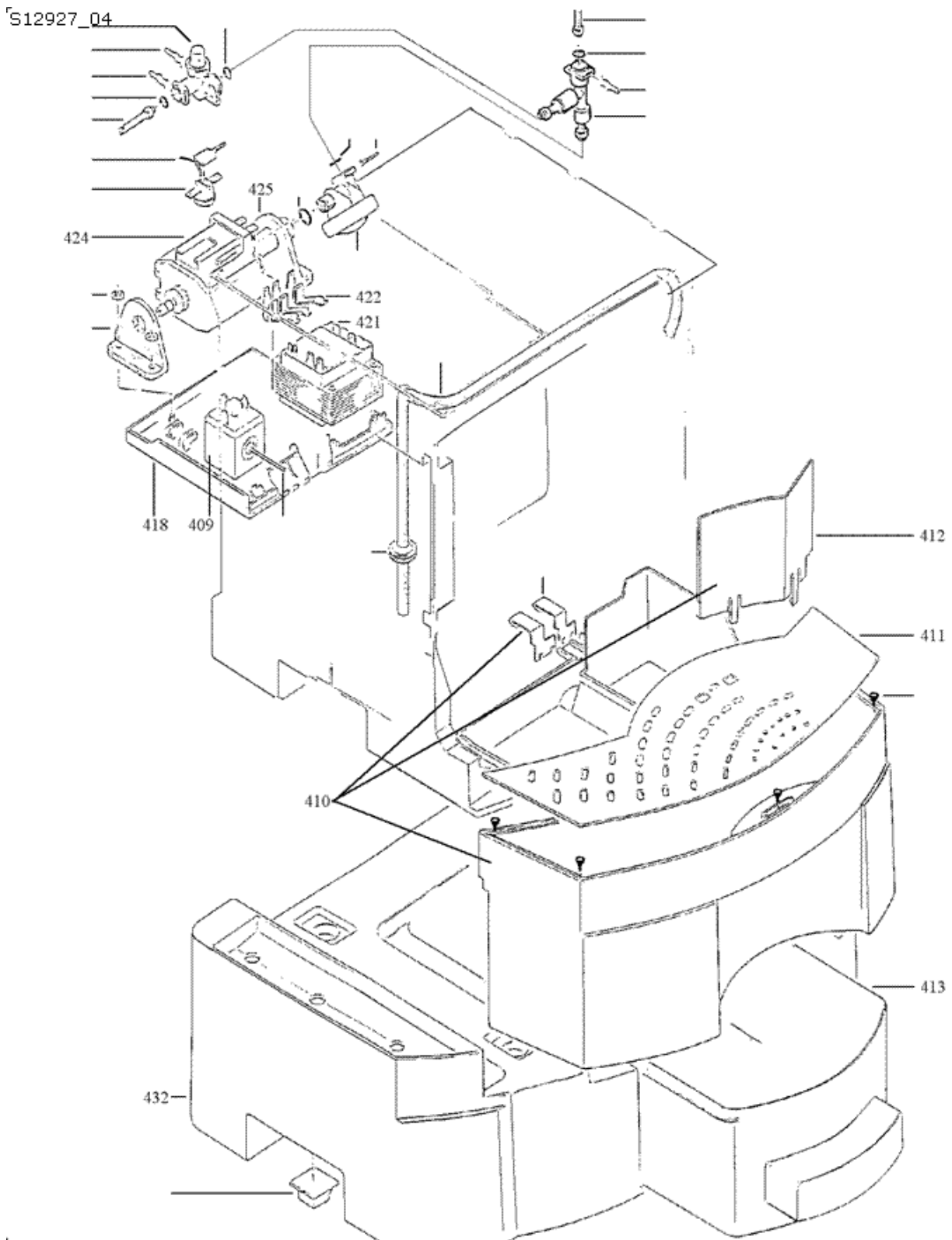
(3) Front cover

S12927_03



Pos	Designation	Material	Disassembly	Disposal	Variation	Return
0311	Outlet gate black	ABS				
0313	Handle chromium plated	ZN				
0314	Hinged cover black	ABS				
0315	Dispenser black	ABS / PC				
0317	Front cover black	ABS / PC				
0320	Injection piece PA	PA				
0321	Cover black	ABS				
0322	Electronic box E1300-cappu-LED	Electro				
0329	Slider for outlet gate black	ABS				
0332	Mounting plate	ABS				
0334	Ceramic valve USA assembled	Ceramic / PA / PEI / Silicone / Messing / High-grade steel				
0336	Discharge pipe chromium plated	Messing				
0340	Retaining cover	PA				
0342	Steam pcb repaired	Electronic				
0345	Adapter black	ABS				
0368	Push button rake steam + lens	PA / PC				
0370	Push button rake coffee + lens	PA / PC				
0379	Lamp blue	Electronic				
0380	Lamp grey	Electronic				
0381	Discharge pipe chromium plated	Messing				

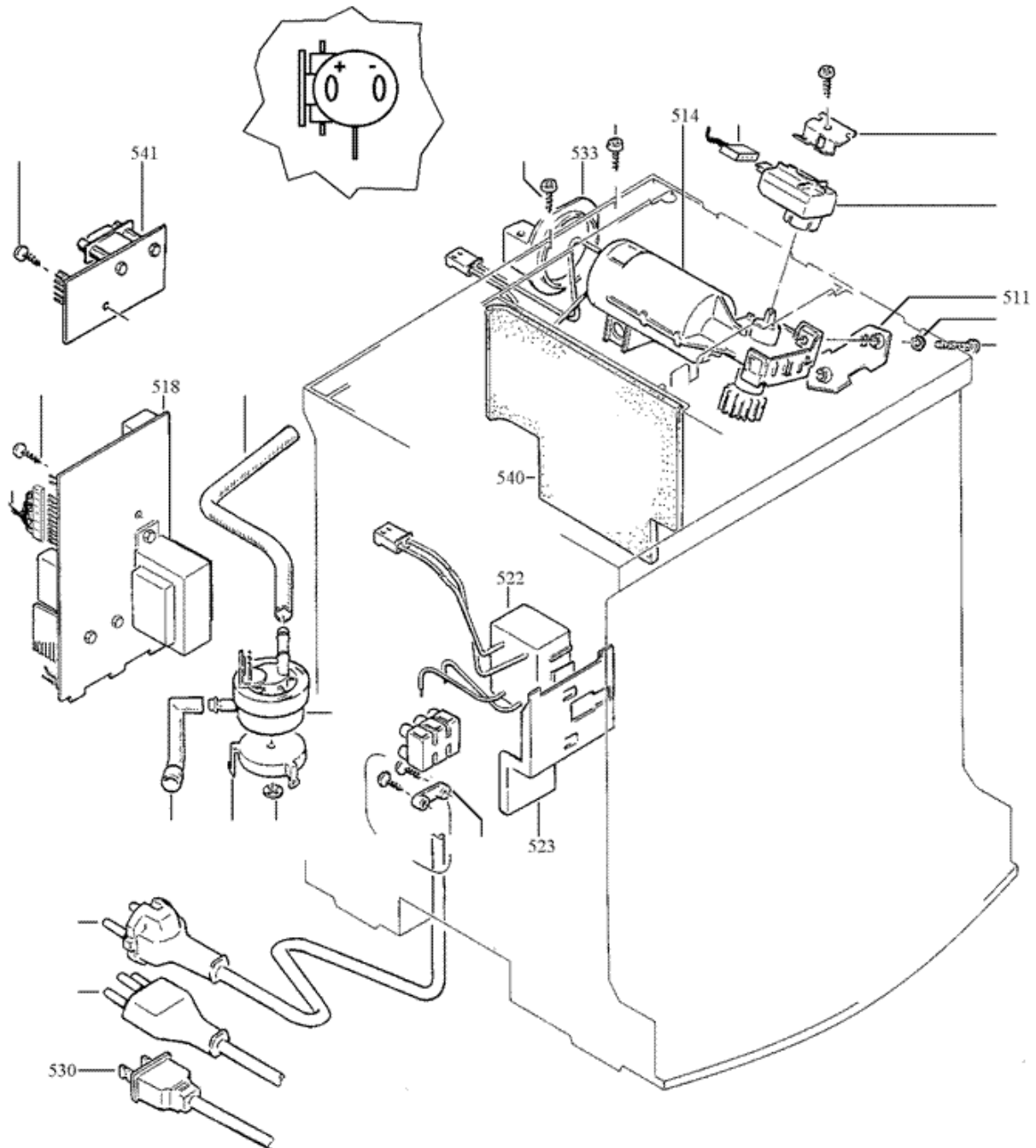
(4) Support plate and tray



Pos	Designation	Material	Disassembly	Disposal	Variation	Return
0409	Magnet drainage valve IEC 230V	Copper / Steel / Plastic			x	
0409	Magnet drainage valve IEC 120V	Copper / Steel / Plastic			x	
0409	Magnet drainage valve IEC 100V	Electro			x	
0410	Drain pan assembled	ABS / Steel / TPE				
0411	cup platform chromed	High-grade steel				
0412	Front segment black	ABS				
0413	Used ground container	PP				
0418	Pump carrier plate	PP				
0421	Transformer 100V	Electro			x	
0421	Transformer 120V	Electro			x	
0421	Transformer 230V	Electro			x	
0422	Detection spring	BR				
0424	Pump 100V/50-60Hz	Electro			x	
0424	Pump cp3a 120v/60hz	Electro			x	
0424	Pump cp3a/st 230v 50hz 65w	Electro			x	
0425	Pump carrier version 2	Gum				
0432	Base black	ABS				

(5) Printed power circuit board and drive

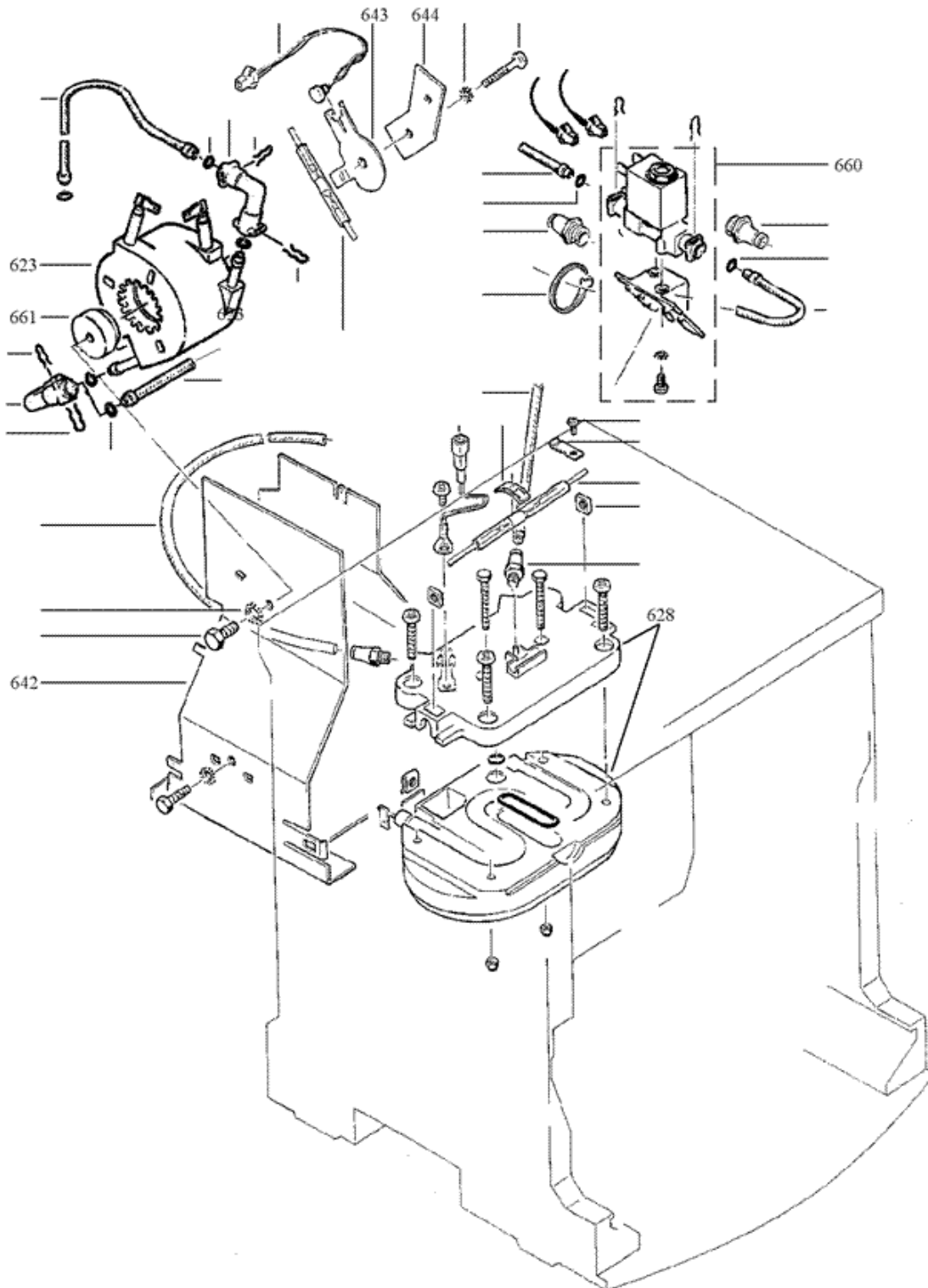
S12927_05



Pos	Designation	Material	Disassembly	Disposal	Variation	Return
0511	Clamp	ZN				
0514	Geared motor 12V UL	Electro / POM / Steel / Messing				
0514	Geared motor 12V complete	Electro / Messing / POM				
0518	Power printed board 100V	Electro			x	
0518	Power pcb G2-2 120V	Electro			x	
0518	Power pcb G2-2 230V	Electro			x	
0522	Interference eliminator	Electro				
0523	Mains plate	PA				
0530	Incoming feeder sw RoHS	Copper / Gum				
0533	Motor support	PP				
0540	Insulating panel	Melamine				
0541	Interface with cable	Electronic				

(6) Heater

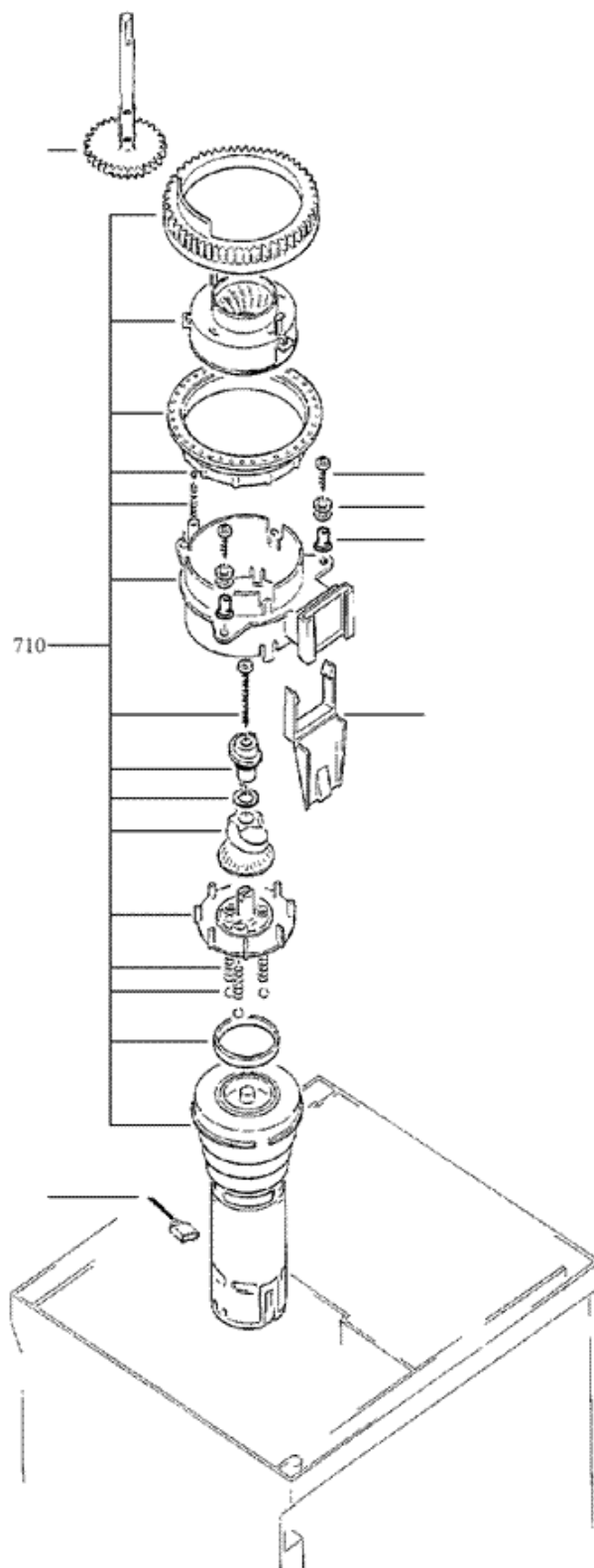
S12927_06



Pos	Designation	Material	Disassembly	Disposal	Variation	Return
0623	T-Block 2000/L 120V/1200W	AL / Silicone / Steel			x	
0623	T-Block 2000/L 100V/1200W	AL / Silicone / Steel			x	
0623	T-Block 2000/L 230V/1200W	AL / Silicone / Steel			x	
0628	Thermoblock 100v/1200w	AL / Silicone / Steel / Messing			x	
0628	Thermoblock 120V/1200W assembl	AL / Silicone / Steel / Messing			x	
0628	T-block assembled with thread	AL / Silicone / Steel / Messing			x	
0642	Heating support thermoblock	Steel				
0643	Clamp to thermoblock head	Steel				
0644	Spacer	Steel				
0660	Valve kit 230V RoHS	Copper / Steel / PA			x	
0660	Valve kit 120V	Copper / Steel / PA			x	
0661	Support aluminium	AL				

(7) Grinder

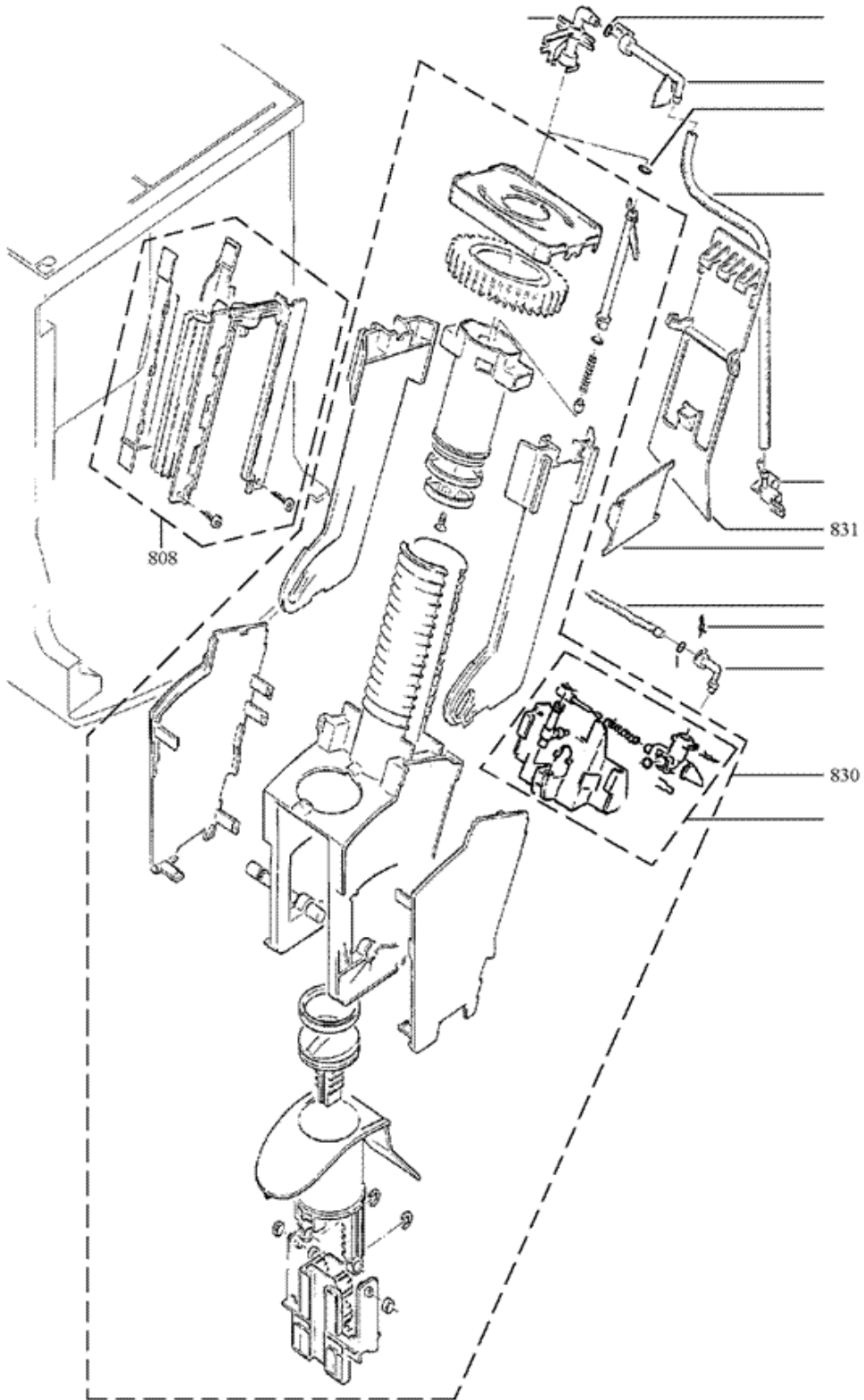
S12927_07



Pos	Designation	Material	Disassembly	Disposal	Variation	Return
0710	Grinder unit 230V "choke"	Electro / POM / PA / NBR / Steel			x	
0710	Grinder unit 120V V6	Electro / POM / PA / ABS / Steel			x	
0710	Grinder unit 100V V4	Electro / POM / PA / NBR / Steel / Messing			x	

(8) Brew unit

S12927_08



Pos	Designation	Material	Disassembly	Disposal	Variation	Return
0808	Guide 107mm	AL / POM				
0830	Brew unit universal	POM / PA / Steel				
0831	Used ground blade	POM				