

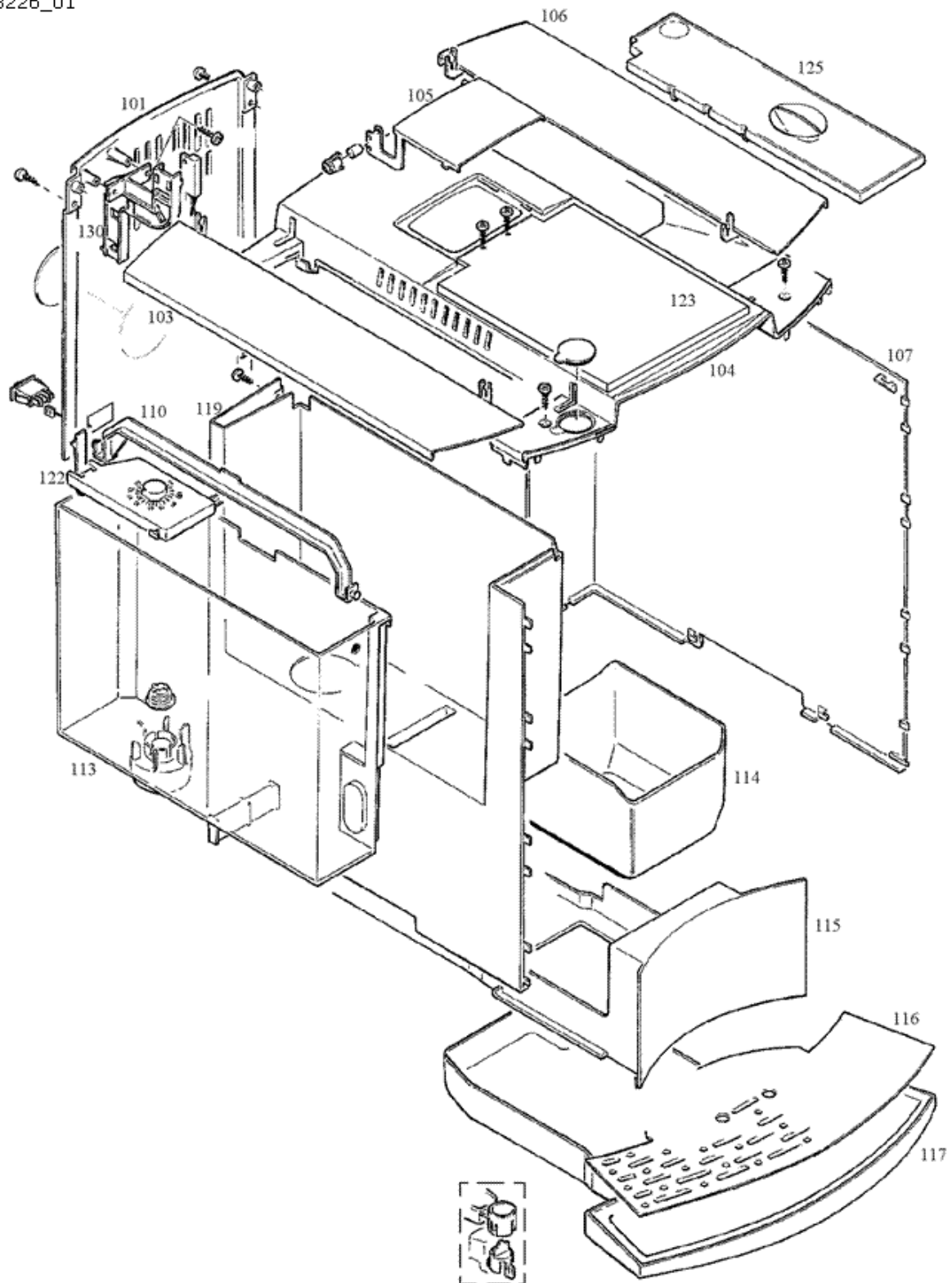
The recycling passport is valid for the following articles:

13165	Impresa F50 platin (CH)
13166	Impresa F50 platin (EU)
13185	Impresa F7 platin (UL/JC)
13199	Impresa F55 platin (EU)
13201	Impresa F5 chrom (CH)
13202	Impresa F5 chrom (EU)
13222	Impresa F5 titan/chrom (CH)
13223	Impresa F5 titan/chrom (EU)
13226	Impresa F50 platin (EU)
13235	Impresa F50 platin (CH)
13414	Impresa F50 platin (UL)
13979	Impresa F50 platin (UK)
13244	Impresa F50 platin (UL)
13276	Impresa F505 platin (FUST)
13281	Impresa F50 platin (CCC)
13302	Impresa F50 China Display (CCC)
13311	Impresa F50 Korea Display (CCC)
13317	Impresa F50 platin (SA)
13345	Impresa F8 platin (UL/JC)
13353	Impresa F50 platin (JP)
13366	Impresa F5 titan/chrom (CH)
13367	Impresa F5 titan/chrom (EU)
13368	Impresa F50 platin (CH)
13369	Impresa F50 platin (EU)
13370	Impresa F505 platin (FUST)
13374	Impresa F50 platin (EU INT)
13412	Impresa F7 platin (UL/JC)
13413	Impresa F8 platin (UL/JC)

The Variant designations mean:

(1) Case components and water tank

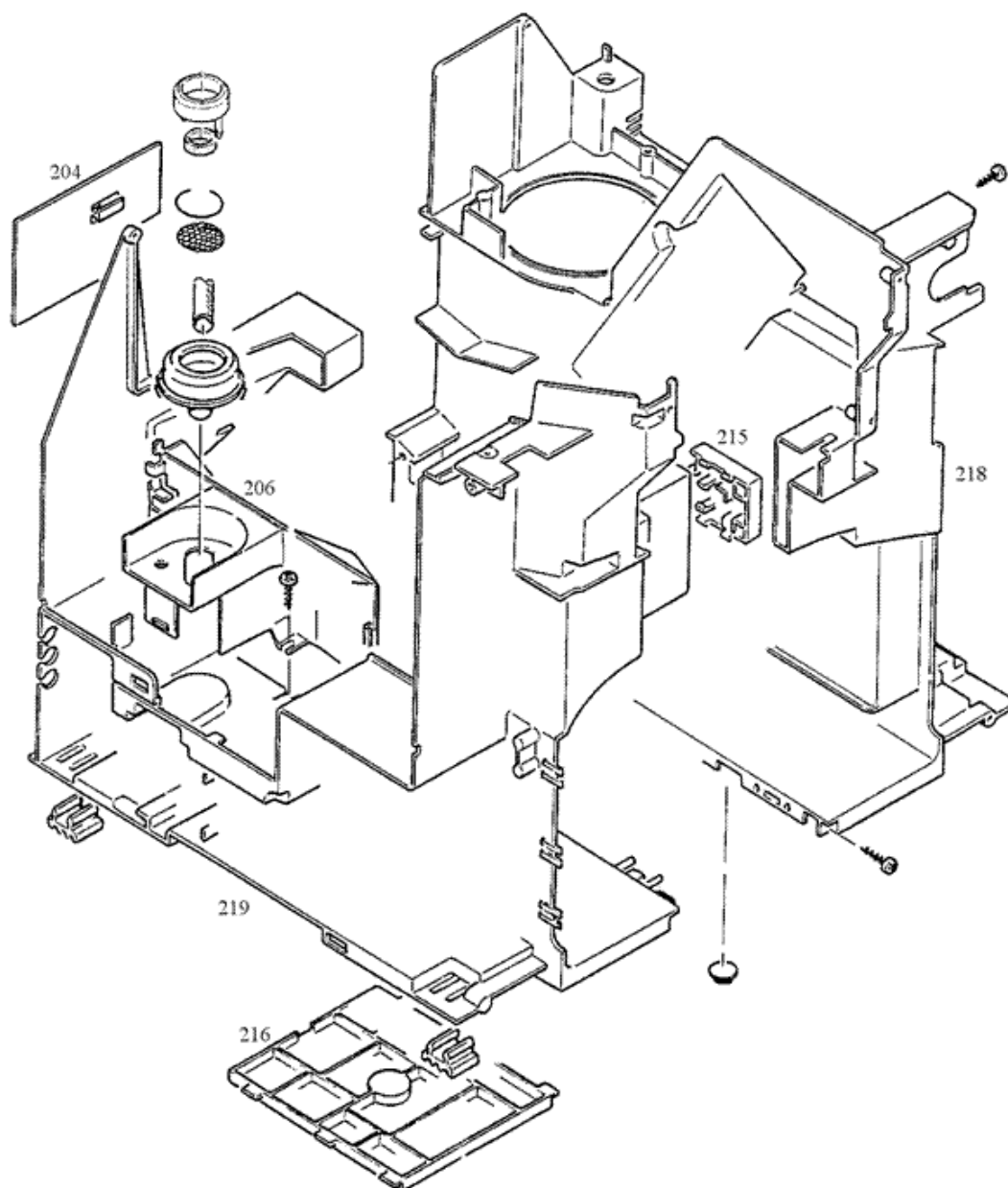
S13226\_01



Pos	Designation	Material	Disassembly	Disposal	Variation	Return
0101	Back black	Plastic				
0103	Tank lid black	ABS				
0104	Cover housing black	ABS				
0105	Powder funnel lid black	Plastic				
0106	Bean container lid black	ABS				
0107	Right side section black	ABS				
0110	Handle watertank black	PA				
0113	Watertank with bracket cpl.	Plastic				
0114	Used ground container black	ABS				
0115	Used ground pan black	ABS				
0116	cup platform anodized F50	AL			x	
0116	cup platform inox F-line	High-grade steel			x	
0117	Drain pan neutral black	ABS				
0119	Left side section black	ABS				
0122	Bracket Claris	Plastic				
0123	Cup support alu	AL			x	
0123	Cup support inox	High-grade steel			x	
0125	Lid to preserve aroma	SAN				
0130	Reed sensor fixing plate	ABS				

## (2) Case components

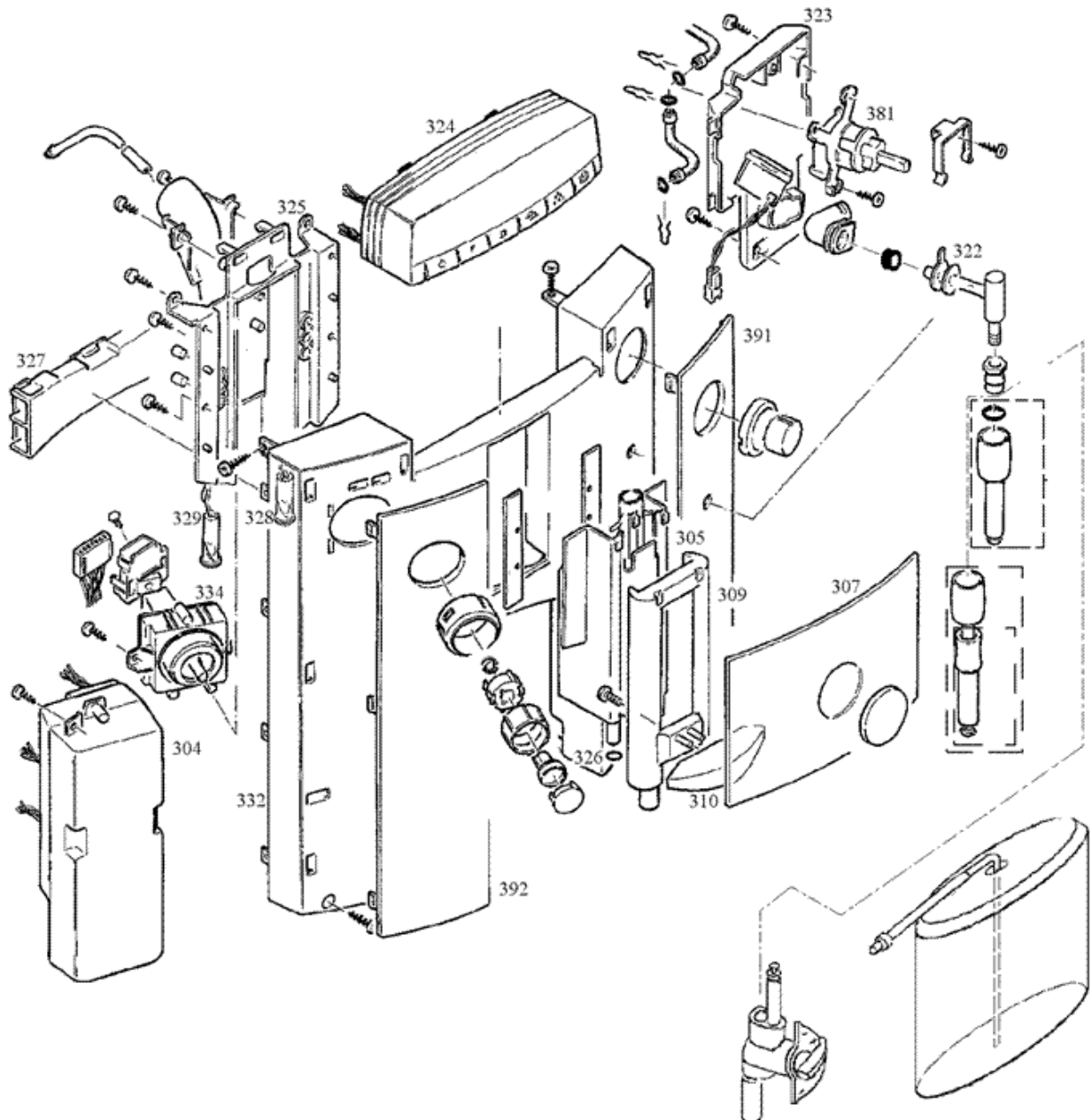
S13165\_02



Pos	Designation	Material	Disassembly	Disposal	Variation	Return
0204	Funnel plate black	PP				
0206	Valve carrier black	ABS				
0215	Reed contact support	PP				
0216	Cover cable case	ABS				
0218	Komponententräger rechts sw	ABS				
0219	Komponententräger links V2 sw	ABS				

### (3) Front cover

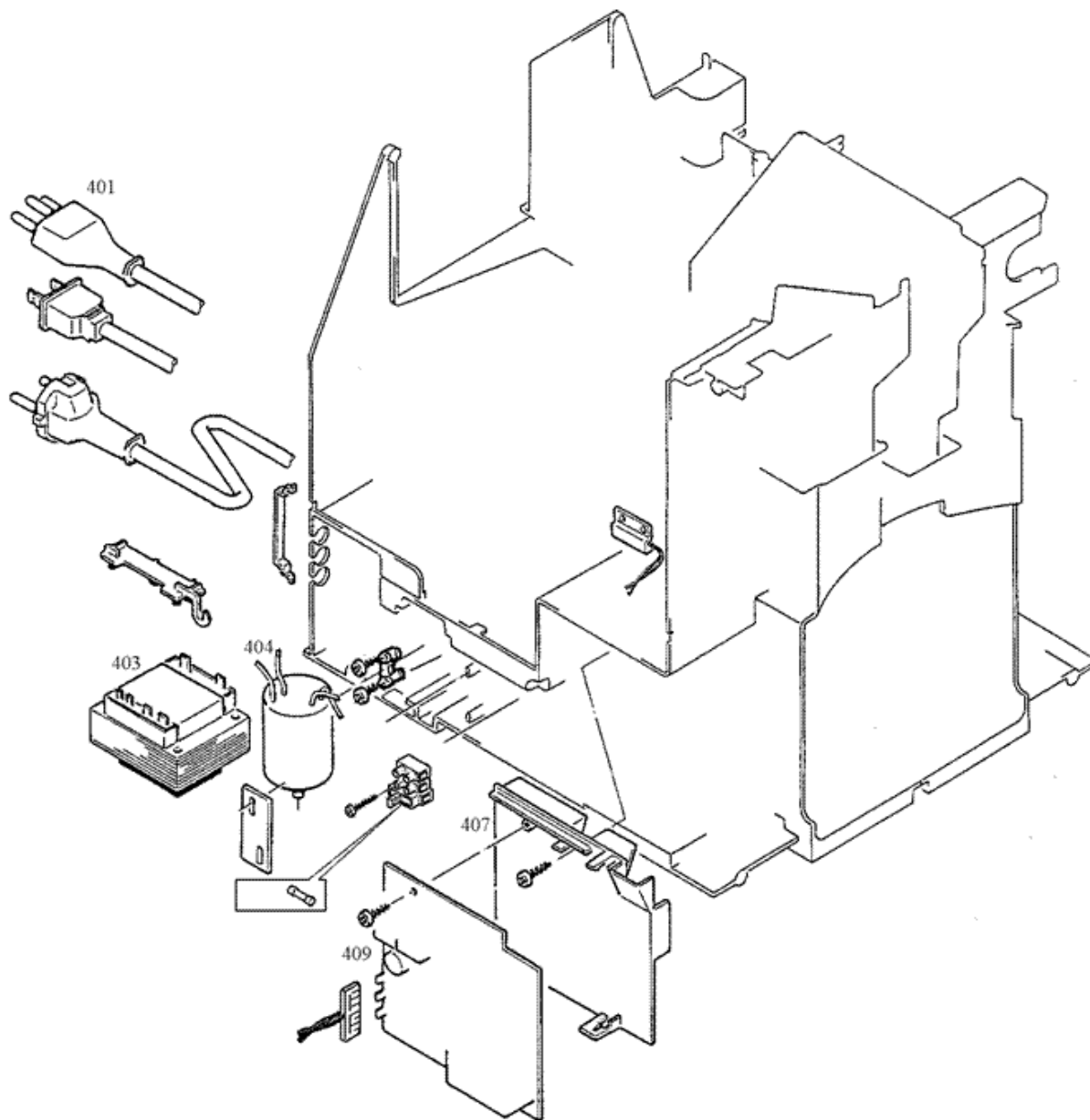
S13165\_03



Pos	Designation	Material	Disassembly	Disposal	Variation	Return
0304	Logic mask N	Electronic				
0305	Outlet gate black	ABS				
0307	Front shield titanium	Plastic			x	
0307	Front shield platinum	Plastic coated			x	
0309	Sleeve	ZN				
0310	Outlet gate handle	ZN				
0322	ischarge pipe chromium plated	High-grade steel or messing				
0323	Mounting plate	ABS				
0324	Display V2 RoHS	Electronic				
0325	Guide for outlet gate	ABS				
0326	O-ring epdm 6x1.2 70sh black	EPDM				
0327	Cable housing nature	PP				
0328	Lamp grey	Electronic				
0329	Lamp blue	Electronic				
0332	Front profile black	ABS				
0334	Rotarybox V2 RoHS	Electronic				
0381	Steam valve assembled V2	Plastic / Ceramic				
0391	Front shield right platinum	Plastic coated				
0392	Front shield left platinum	Plastic coated				

#### (4) Printed power circuit board

S13165\_04

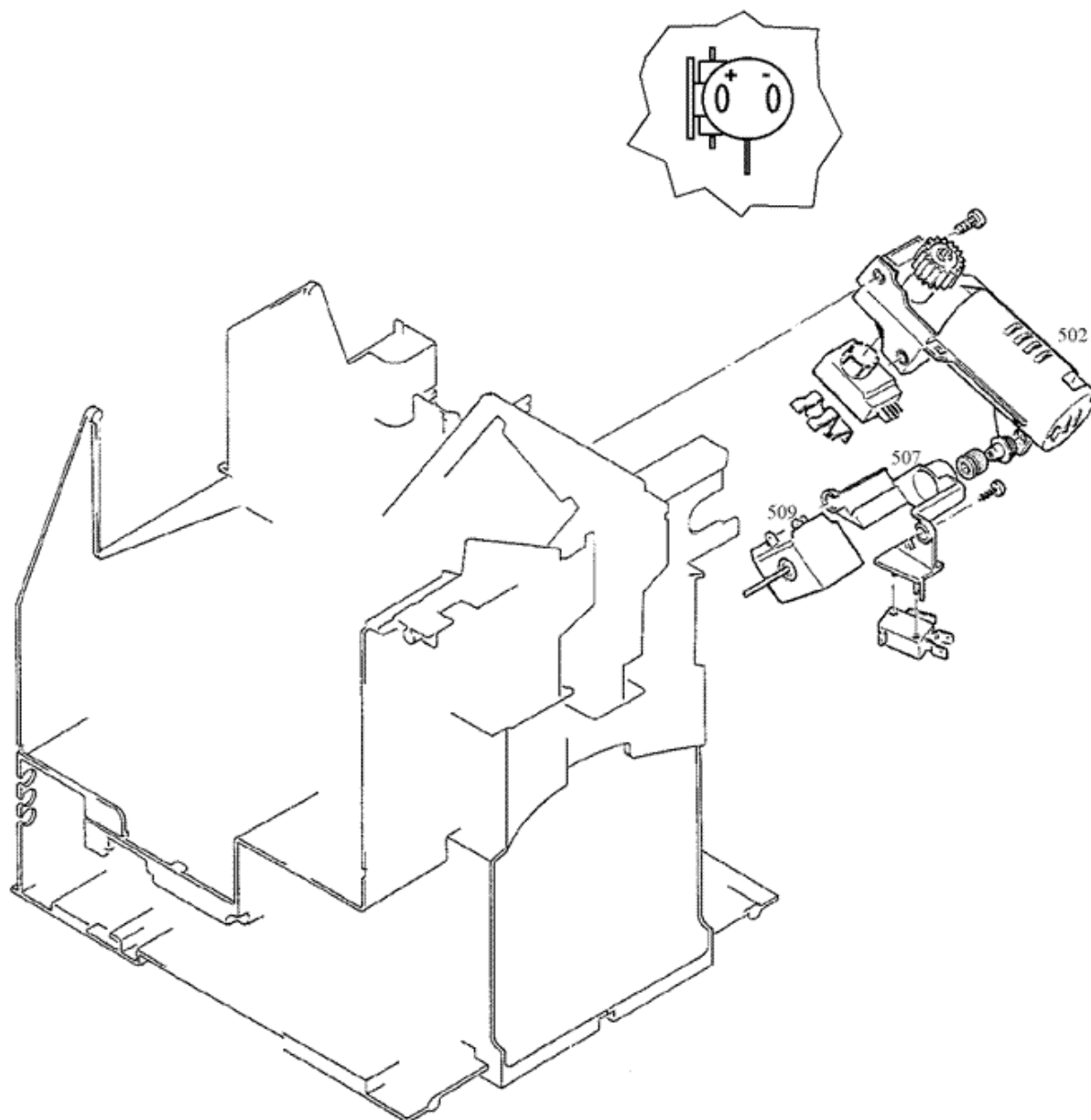




Pos	Designation	Material	Disassembly	Disposal	Variation	Return
0401	Incoming feeder sw RoHS	Copper / Gum				
0403	Transformer 230V	Electro				
0404	Interference eliminator	Electro				
0407	Cable housing black	Plastic				
0409	Power pcb 230V V3	Electronic				

### (5) Drive

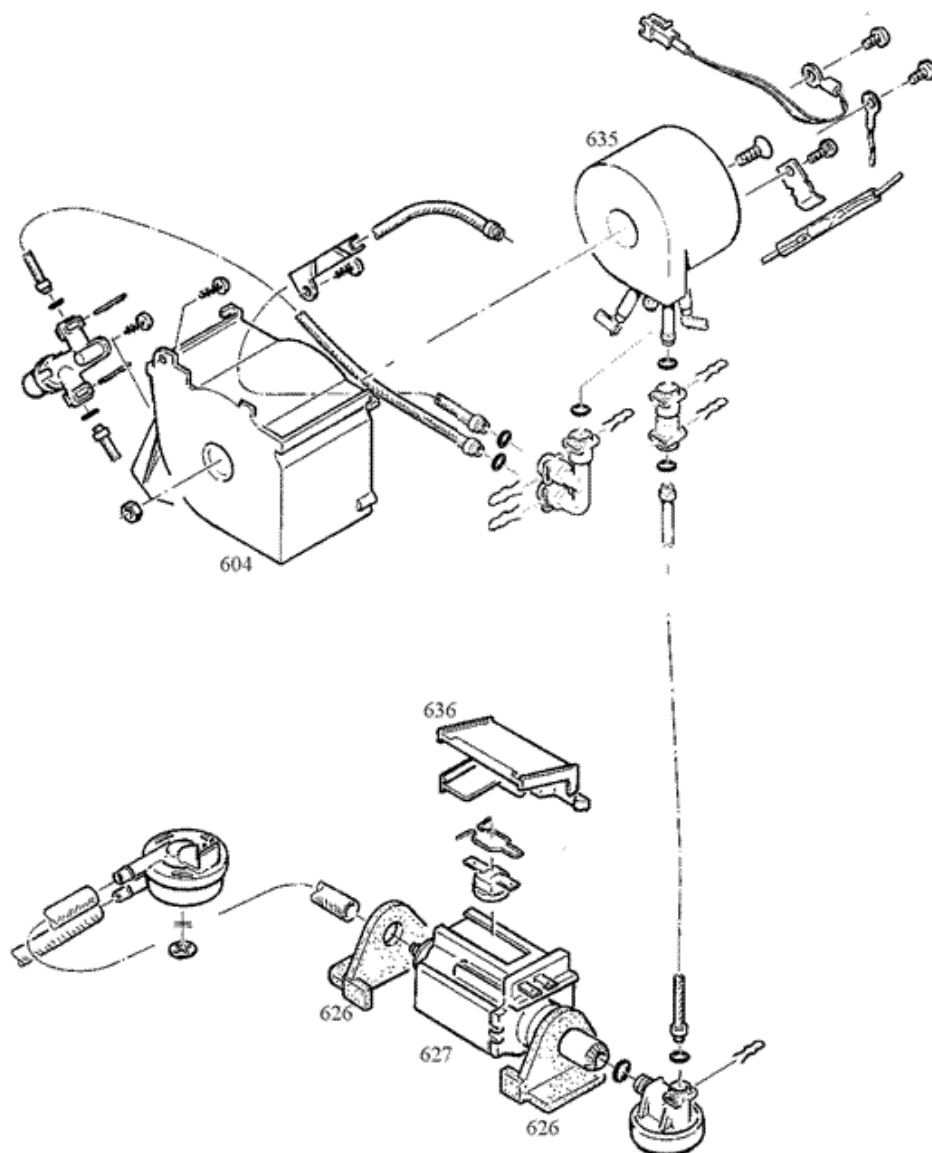
S13165\_05



Pos	Designation	Material	Disassembly	Disposal	Variation	Return
0502	Geared motor E30 ass. RoHS	Motor / PPO				
0507	Drainage valve support	ABS				
0509	Magnet drainage valve IEC 230V	Copper / Steel / Plastic				

**(6) Heater**

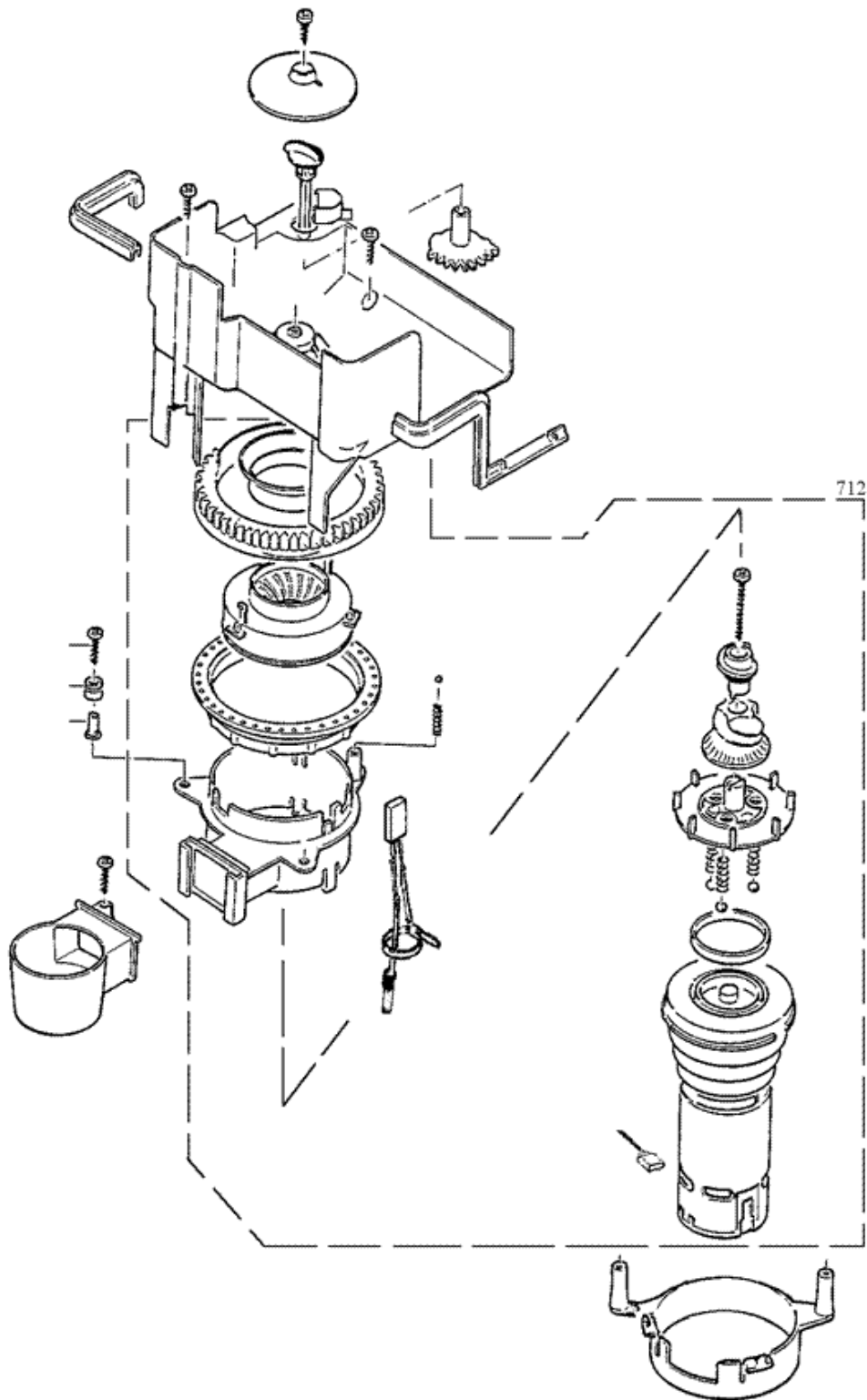
S13165\_06



Pos	Designation	Material	Disassembly	Disposal	Variation	Return
0604	Heating support thermoblock	PA				
0626	Pump carrier version 2	Gum				
0627	Pump cp3a/st 230v 50hz 65w	Electro				
0635	T-Block sold. nipp. 230V/1400W	AL / High-grade steel				
0636	Cover black	ABS				

(7) Grinder

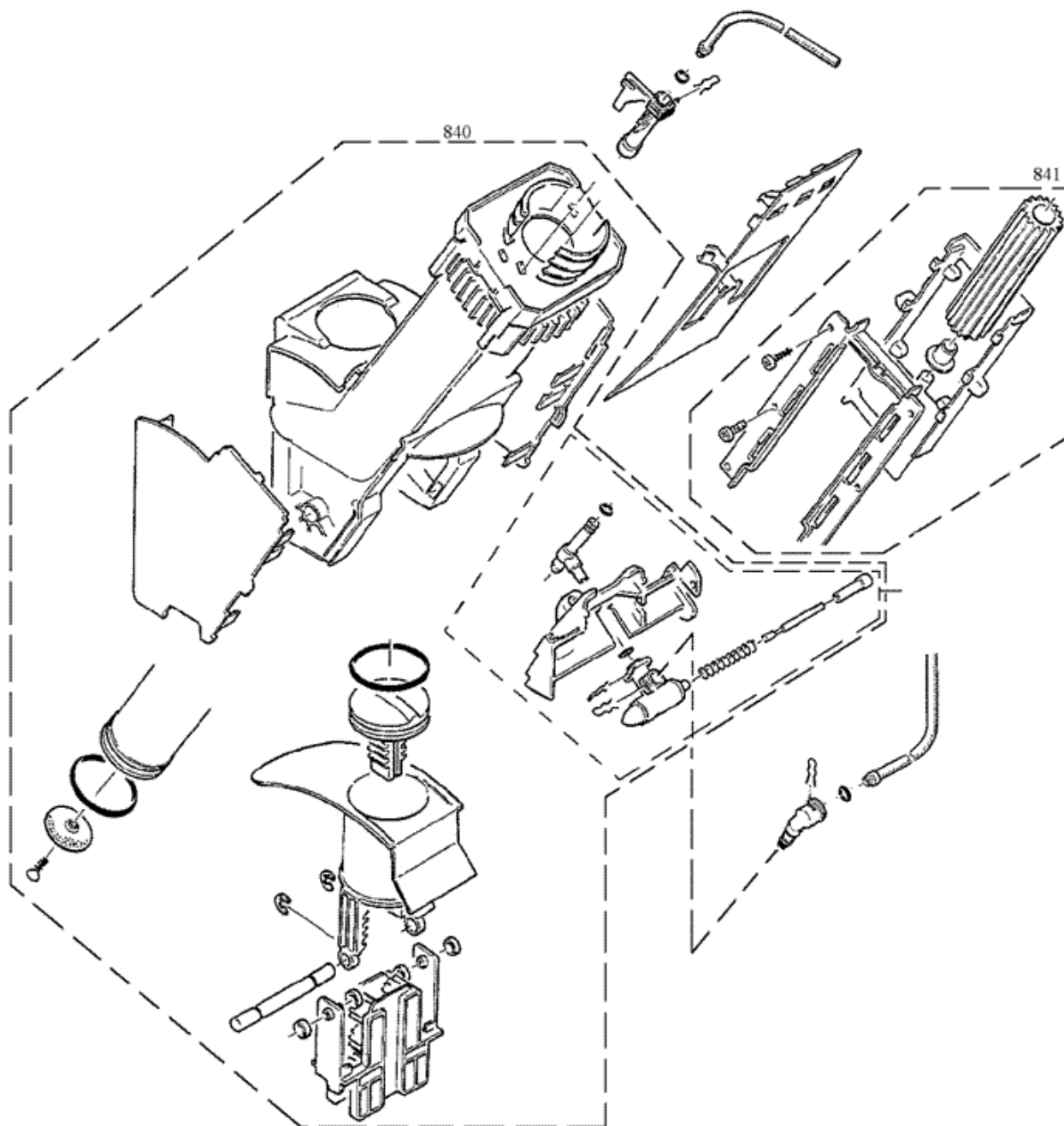
S13165\_07



Pos	Designation	Material	Disassembly	Disposal	Variation	Return
0712	Grinder unit V2 J. 230V RoHS	Motor / POM / PA / ABS / Steel				

**(8) Brew unit**

S13165\_08





Pos	Designation	Material	Disassembly	Disposal	Variation	Return
0840	Brew unit universal	POM / PA / Steel				
0841	Guide 114mm	AL / POM				