

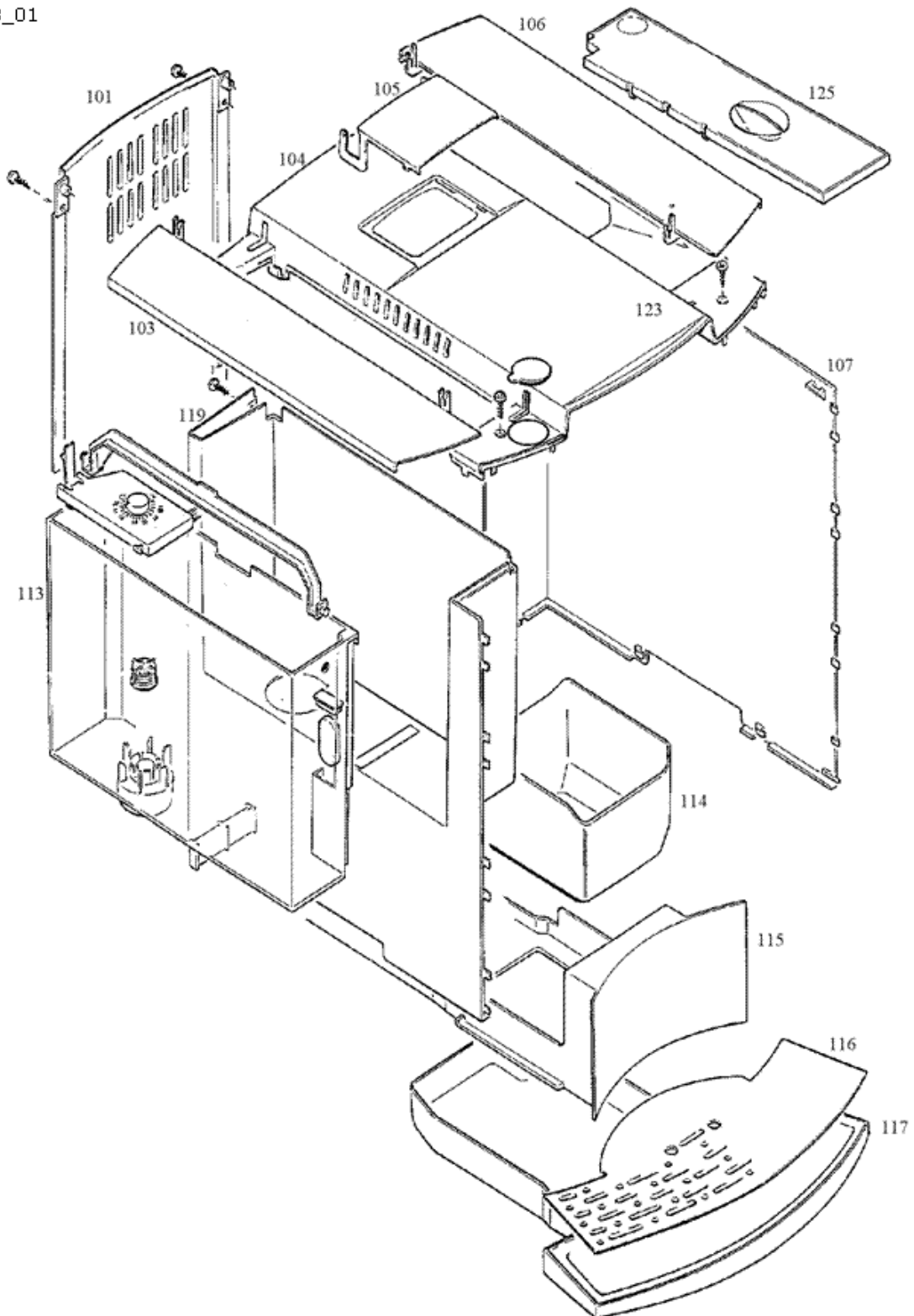
The recycling passport is valid for the following articles:

S13237	Impresa E80 black (CH)
S13243	Impresa E80 black (UL)
S13246	Impresa E820 black (ID)
S13255	Impresa E840 cappuccino (MANOR)
S13278	Impresa E880 platinum (MIGROS)
S13283	Impresa E80 black (CCC)
S13284	Impresa E85 platinum (CCC)
S13313	Impresa E80 Class. black (EU)
S13314	Impresa E890 platinum (MIGROS)
S13315	Impresa E85 Class. platinum (EU)
S13375	Impresa E85 platinum (UL)
S13183	Impresa E80 black (CH)
S13184	Impresa E80 black (EU)
S13187	Impresa E8 black (UL/JC)
S13191	Impresa E85 platinum (CH)
S13192	Impresa E85 platinum (EU)
S13204	Impresa E9 platinum (UL/JC)
S13219	Impresa E880 platinum (MIGROS)
S13229	Impresa E80 black (EU)
S13230	Impresa E85 platinum (EU)
S13233	Impresa E810 blue (MEDIA MARKT)
S13236	Impresa E85 platinum (CH)

The Variant designations mean:

(1) Case components and water tank

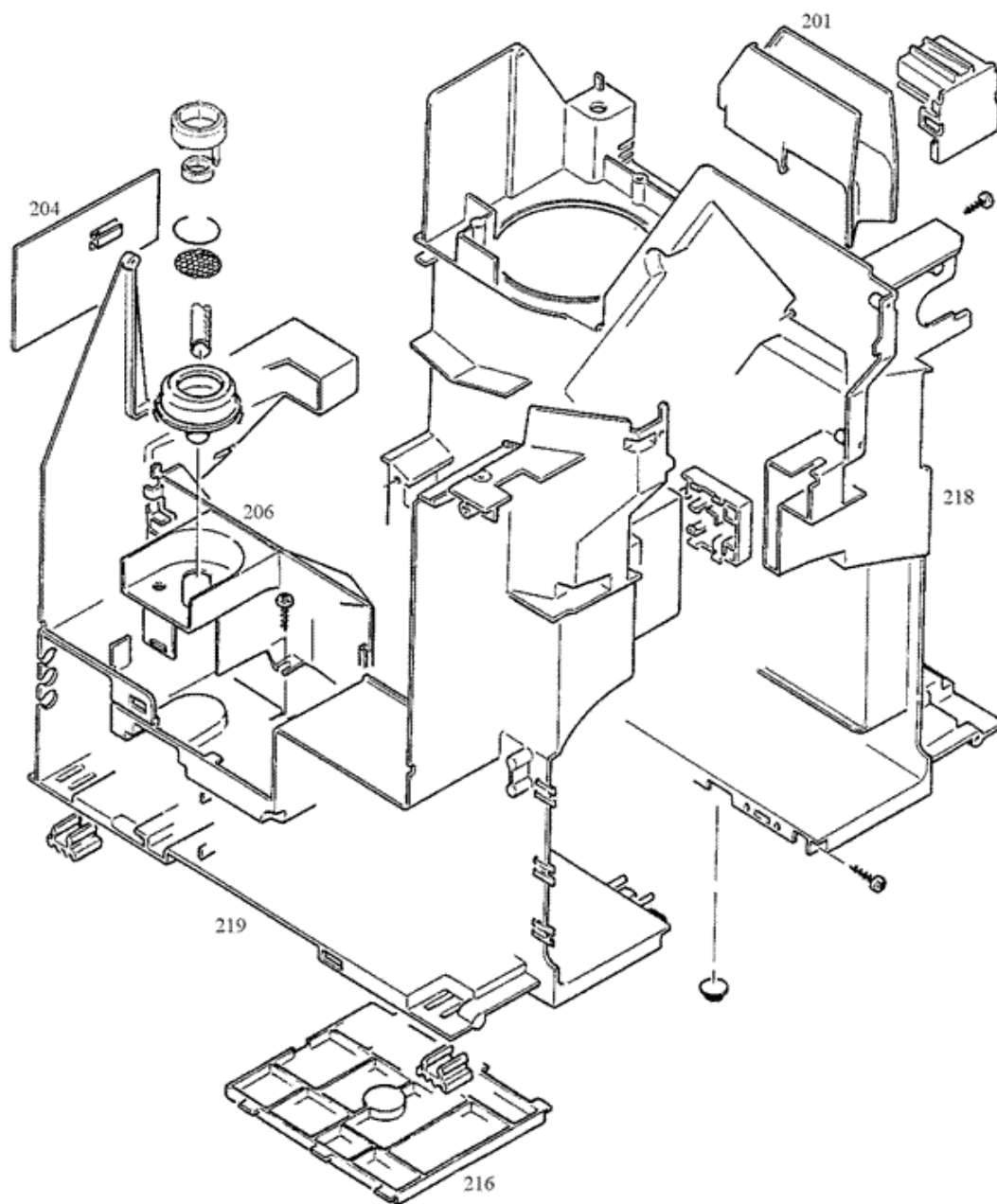
S13183_01



Pos	Designation	Material	Disassembly	Disposal	Variation	Return
0101	Back black	Plastic				
0103	Tank lid black	ABS				
0104	Cover housing black	Plastic			x	
0104	Cover housing black	ABS			x	
0105	Powder funnel lid black	Plastic				
0106	Bean container lid black	ABS				
0107	Right side section black	ABS				
0113	Watertank with bracket cpl.	Plastic				
0114	Used ground container black	ABS				
0115	Used ground pan black	ABS				
0116	cup platform inox E-line	High-grade steel			x	
0116	cup platform anodized E-line	AL			x	
0117	Drain pan black	ABS				
0119	Left side section black	ABS				
0123	Cup support alu	AL			x	
0123	Cup support inox	High-grade steel			x	
0125	Lid to preserve aroma	SAN				

(2) Case components

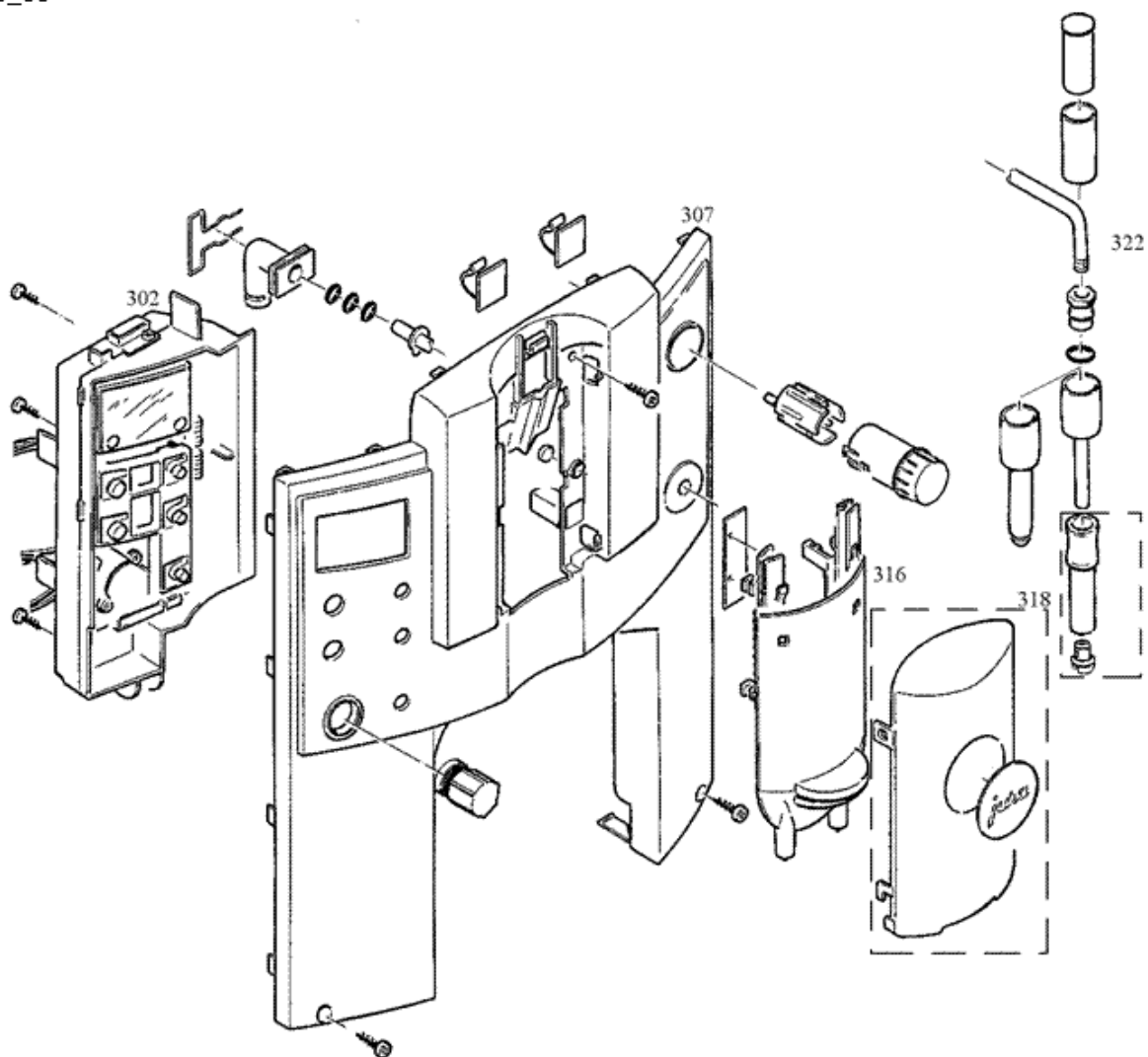
S13183_02



Pos	Designation	Material	Disassembly	Disposal	Variation	Return
0201	Input flow channel	PP				
0204	Funnel plate black	PP				
0206	Valve carrier black	ABS				
0216	Cover cable case	ABS				
0218	Components support destra	ABS				
0219	Components support V2	ABS				

(3) Front cover

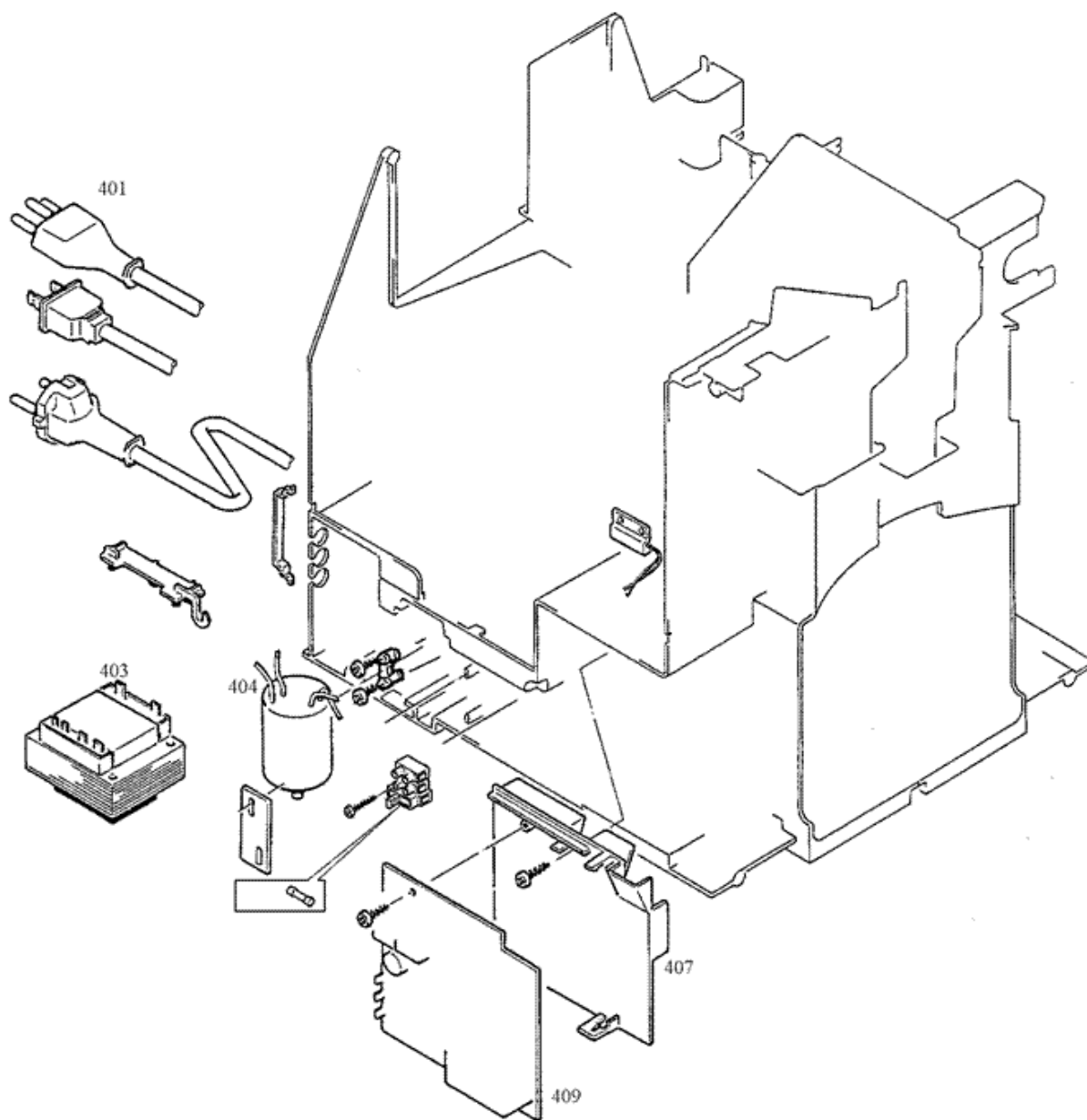
S13183_03



Pos	Designation	Material	Disassembly	Disposal	Variation	Return
0302	Electronic box V2	Electronic				
0307	Front cover black V2	ABS				
0316	Outlet gate black	ABS				
0318	Lid for outlet gate assembled	ABS				
0322	Discharge pipe	Messing			x	
0322	Discharge pipe chromium plated	High-grade steel or messing			x	

(4) Printed power circuit board

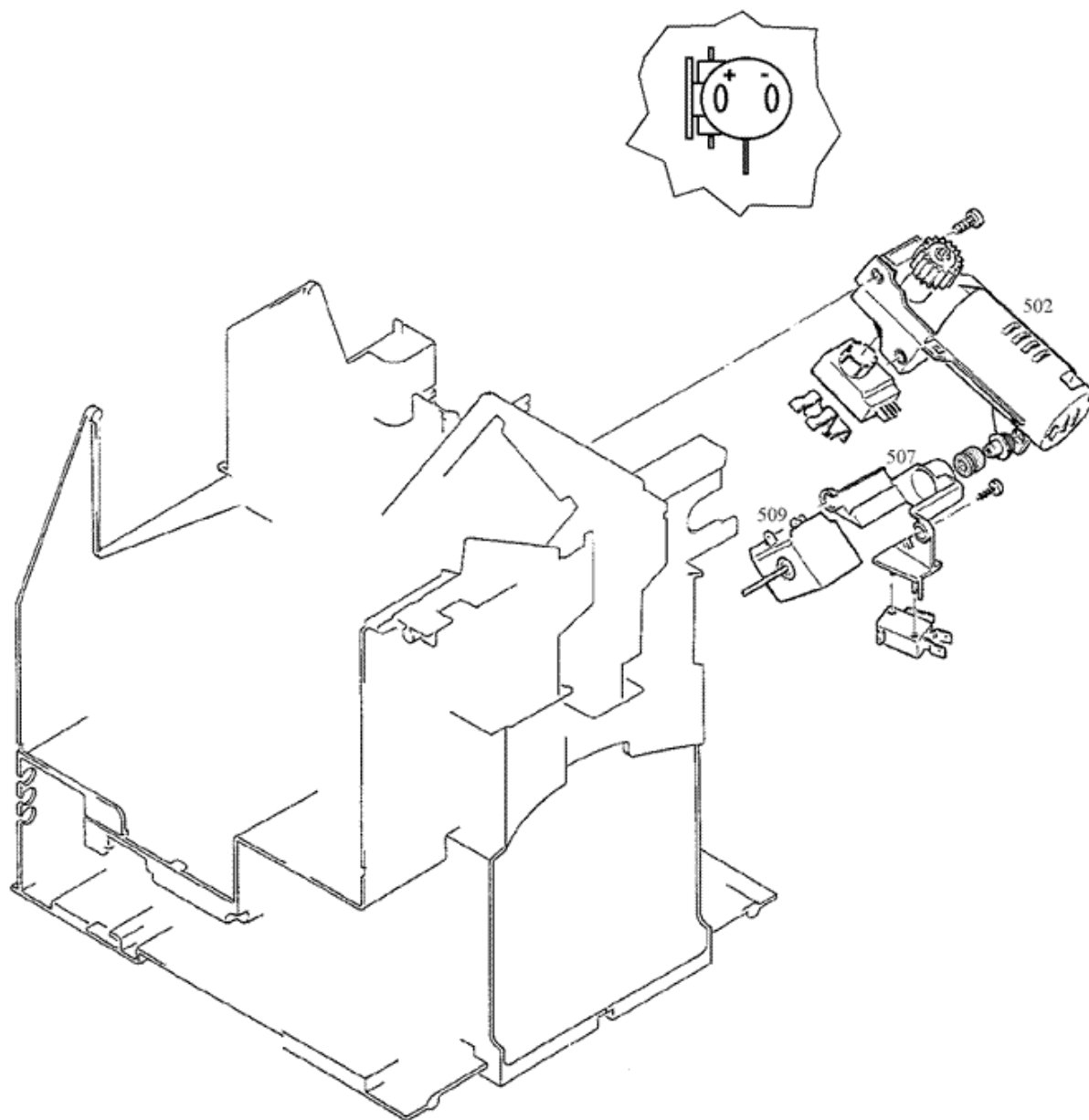
S13183_04



Pos	Designation	Material	Disassembly	Disposal	Variation	Return
0401	Incoming feeder sw RoHS	Copper / Gum				
0403	Transformer 120V UL	Electro			x	
0403	Transformer 230V	Electro			x	
0404	Interference eliminator	Electro			x	
0404	Interference eliminator UL	Electro			x	
0407	Cable housing black	Plastic				
0409	Power pcb 120V/V3/RoHS	Electronic			x	
0409	Power pcb 230V V3	Electronic			x	

(5) Drive

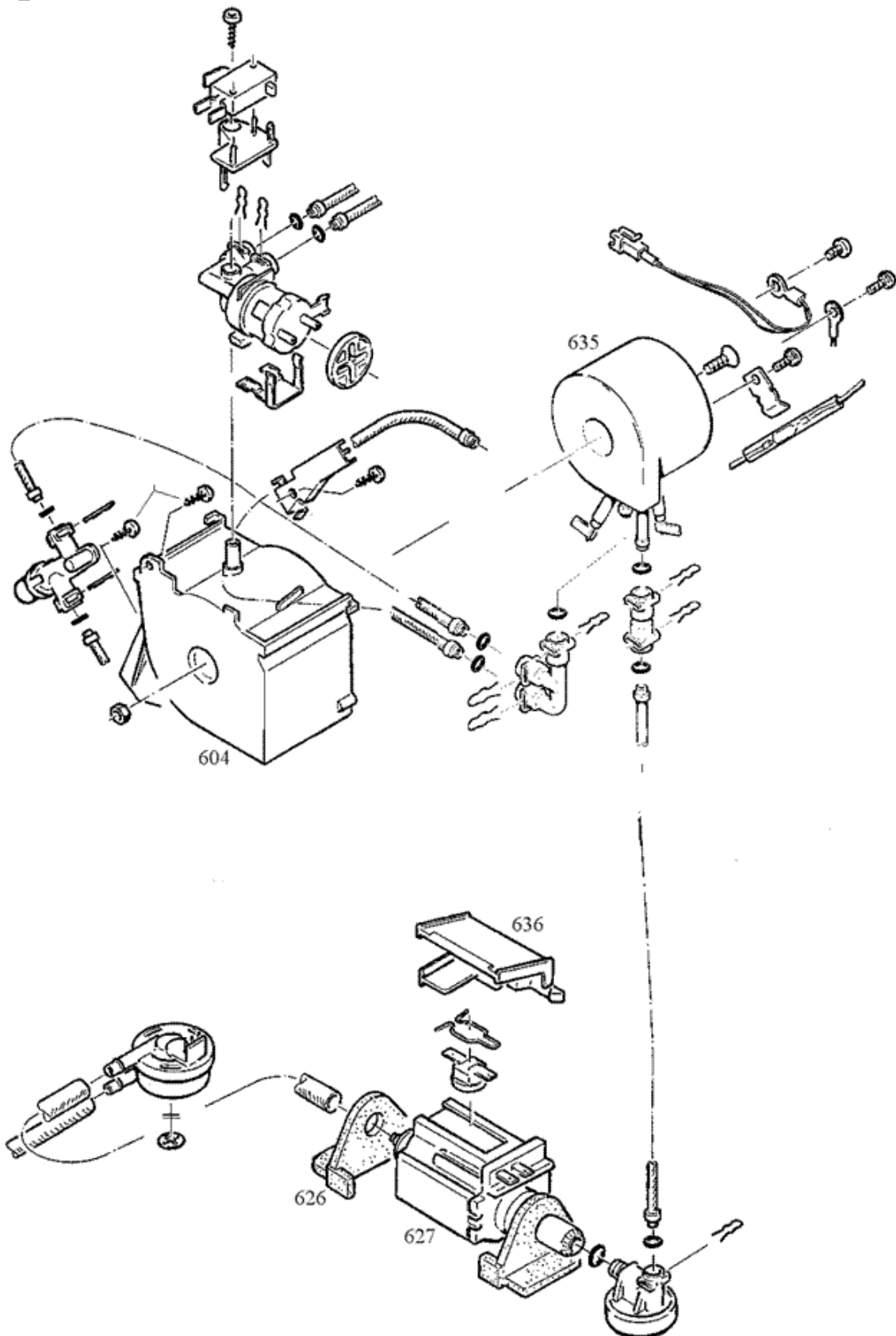
S13183_05



Pos	Designation	Material	Disassembly	Disposal	Variation	Return
0502	Geared motor E30 ass. RoHS	Electro / PPO				
0507	Drainage valve support	ABS				
0509	Magnet drainage valve IEC 230V	Copper / Steel / Plastic			x	
0509	Magnet drainage valve IEC 120V	Copper / Steel / Plastic			x	

(6) Heater

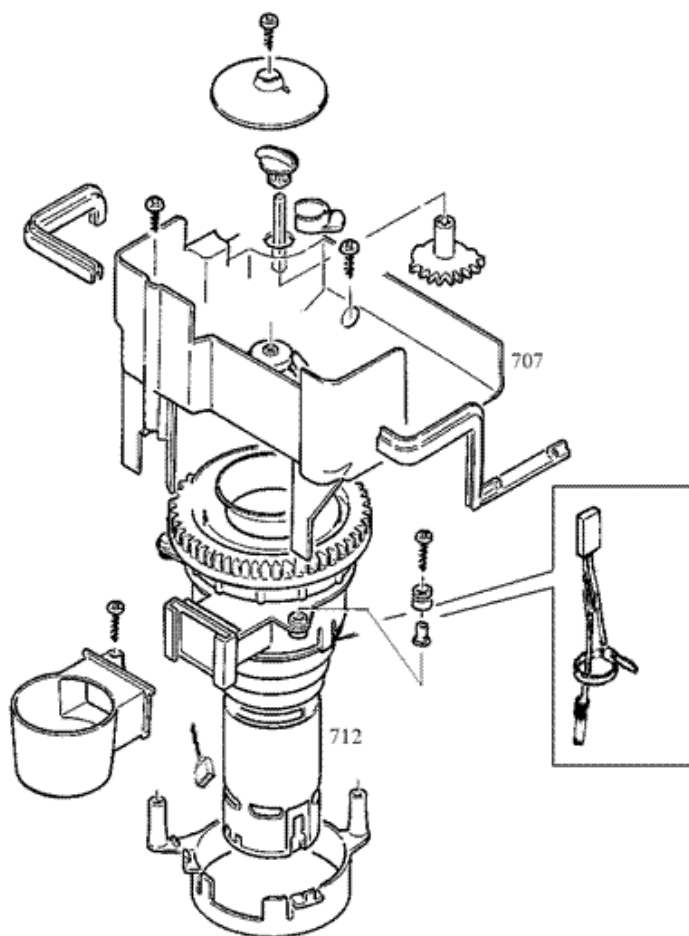
S13183_06



Pos	Designation	Material	Disassembly	Disposal	Variation	Return
0604	Heating support thermoblock	PA				
0626	Pump carrier version 2	Gum				
0627	Pump cp3a 120v/60hz	Electro			x	
0627	Pump cp3a/st 230v 50hz 65w	Electro			x	
0635	Thermoblock sold. nipple 120V	AL / High-grade steel			x	
0635	T-Block sold. nipp. 230V/1400W	AL / High-grade steel			x	
0636	Cover black	ABS				

(7) Grinder

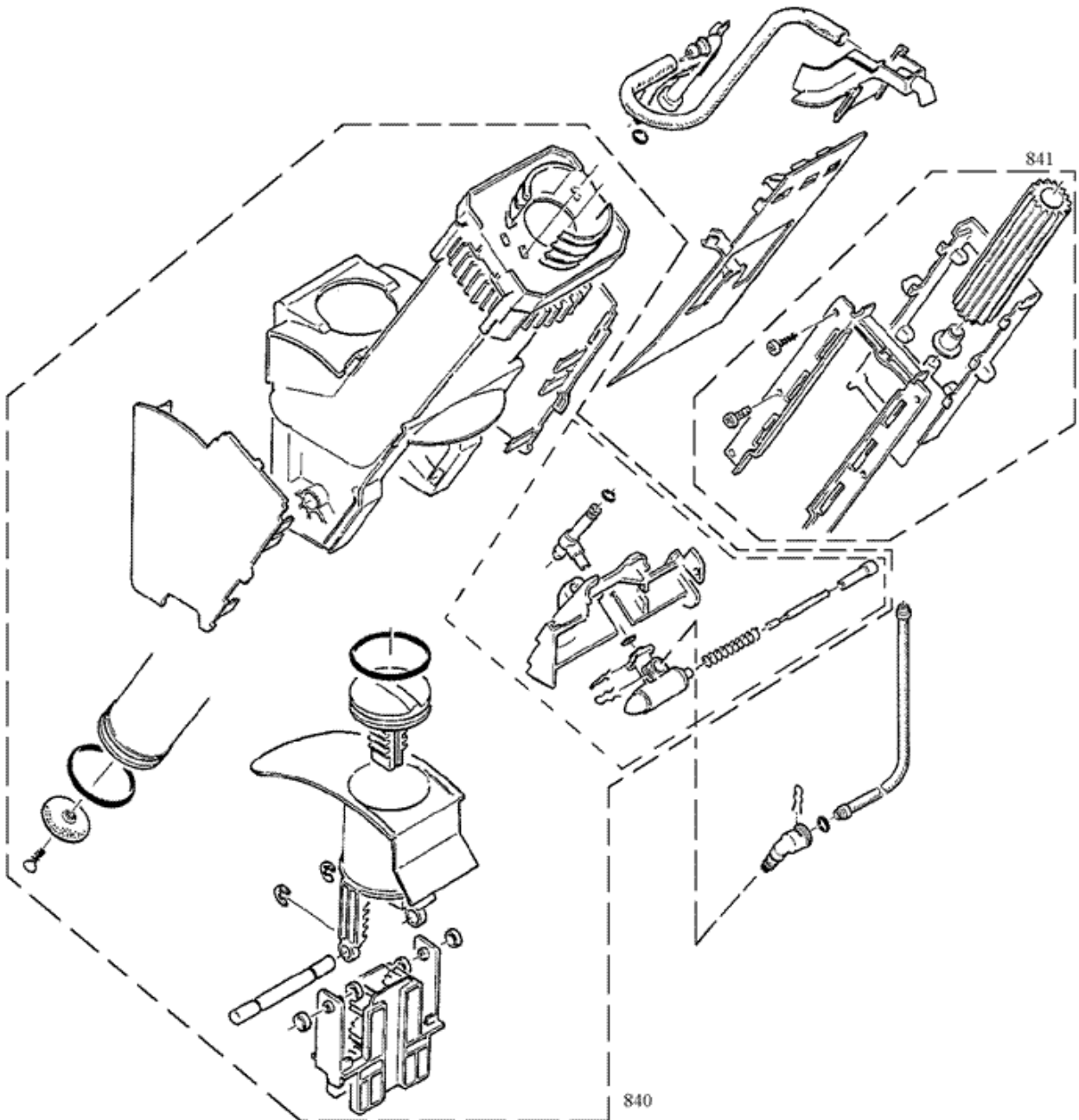
S13183_07



Pos	Designation	Material	Disassembly	Disposal	Variation	Return
0707	Bean container black printed	PP				
0712	Grinder unit 230V "choke"	Electro / POM / PA / NBR / Steel			x	
0712	Grinder unit 120V V6	Electro / POM / PA / ABS / Steel			x	

(8) Brew unit

S13183_08



Pos	Designation	Material	Disassembly	Disposal	Variation	Return
0840	Brew unit universal	POM / PA / Steel				
0841	Guide 114mm	AL / POM				