

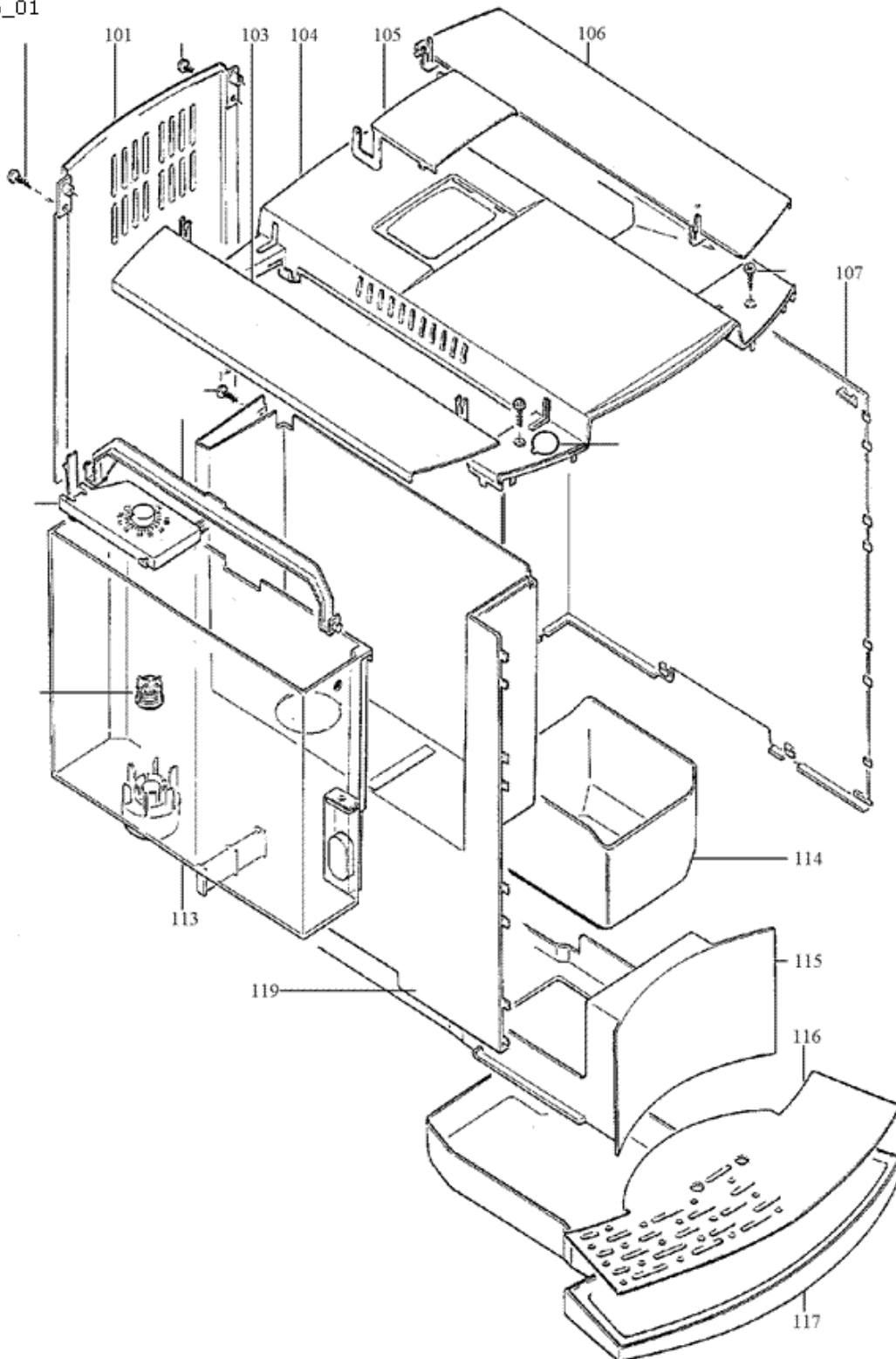
The recycling passport is valid for the following articles:

S13036	Impresa E70 black (CH)
S13037	Impresa E70 black (EU)
S13038	Impresa E75 platinum (CH)
S13039	Impresa E75 platinum (EU)
S13067	Impresa E75 champagne (CH)
S13068	Impresa E75 champagne (EU)
S13080	Impresa E75 zircon (CH)
S13085	Impresa E70 black (UL)
S13088	Impresa E75 platinum (UL)
S13189	Impresa E74 black CH
S13190	Impresa E74 black EU

The Variant designations mean:

(1) Case components and water tank

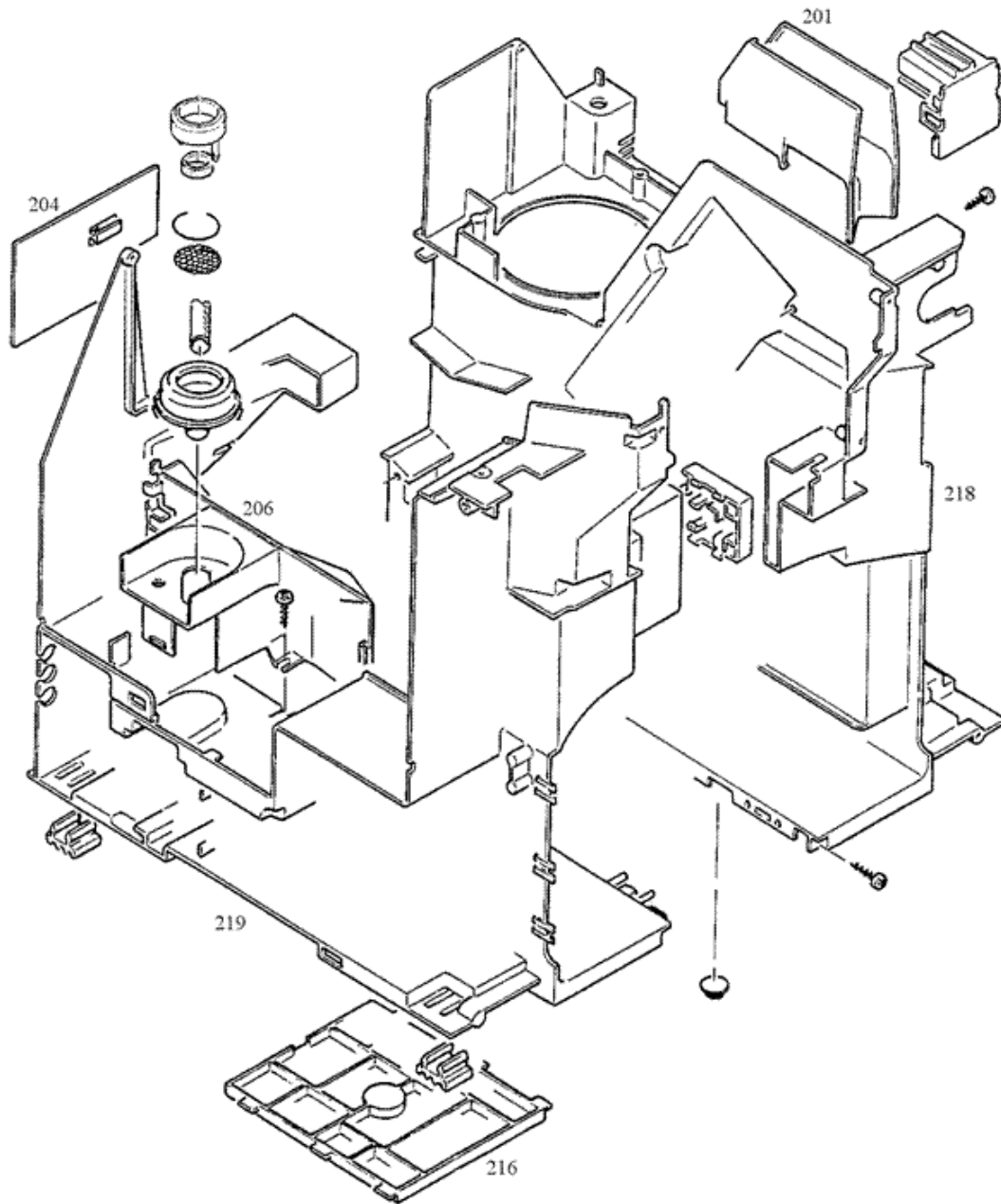
S13036_01



Pos	Designation	Material	Disassembly	Disposal	Variation	Return
0101	Back black	Plastic				
0103	Tank lid black	ABS				
0104	Cover housing black	Plastic				
0105	Powder funnel lid black	Plastic				
0106	Bean container lid black	ABS				
0107	Right side section black	ABS				
0113	Watertank with bracket cpl.	Plastic				
0114	Used ground container black	ABS				
0115	Used ground pan black	ABS				
0116	cup platform anodized E-line	AL			x	
0116	cup platform inox E-line	High-grade steel			x	
0117	Drain pan black	ABS				
0119	Left side section black	ABS				

(2) Case components

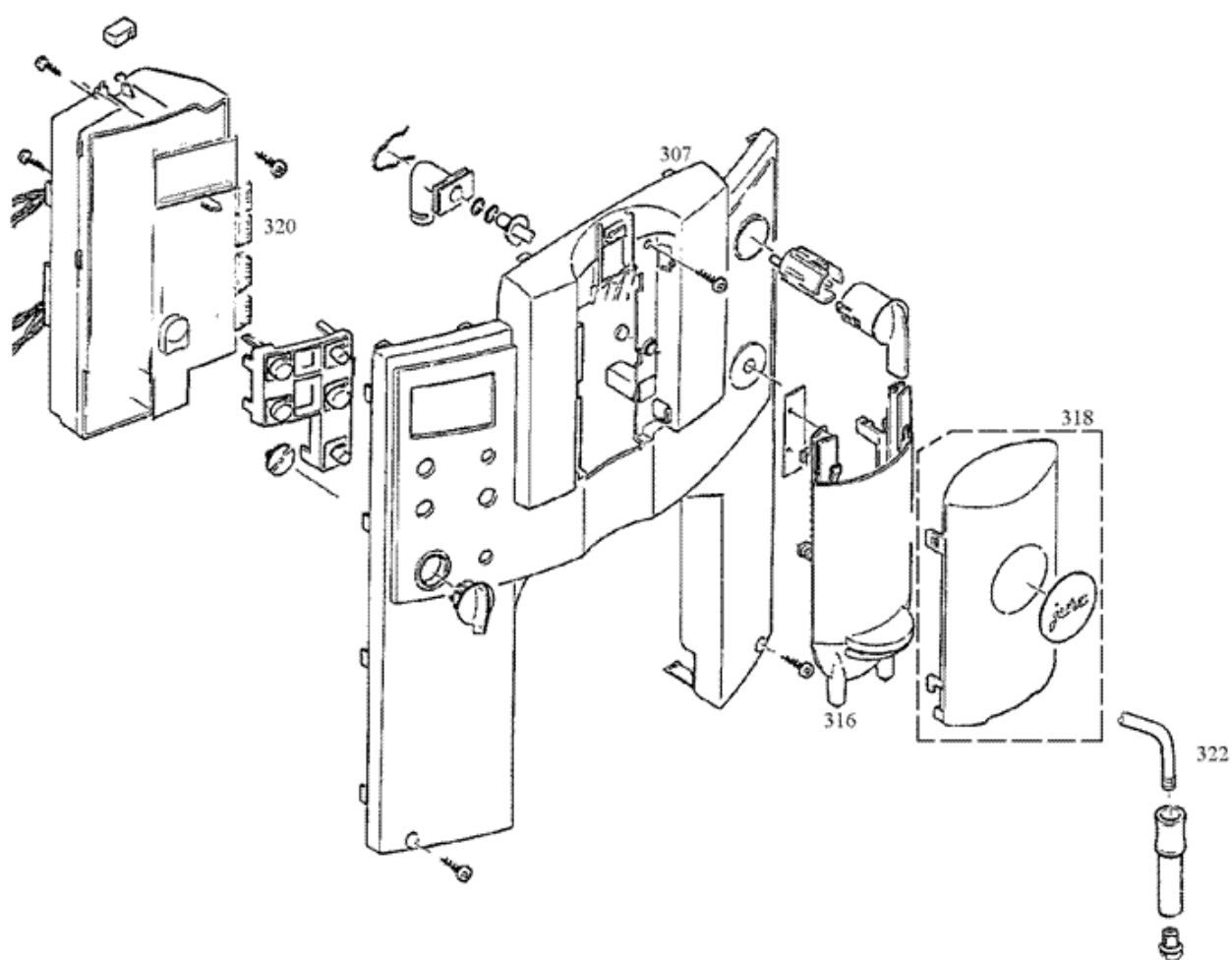
S13036_02



Pos	Designation	Material	Disassembly	Disposal	Variation	Return
0201	Input flow channel	PP				
0204	Funnel plate black	PP				
0206	Valve carrier black	ABS				
0216	Cover cable case	Plastic				
0218	Components support destra	ABS				
0219	Components support V2	ABS				

(3) Front cover

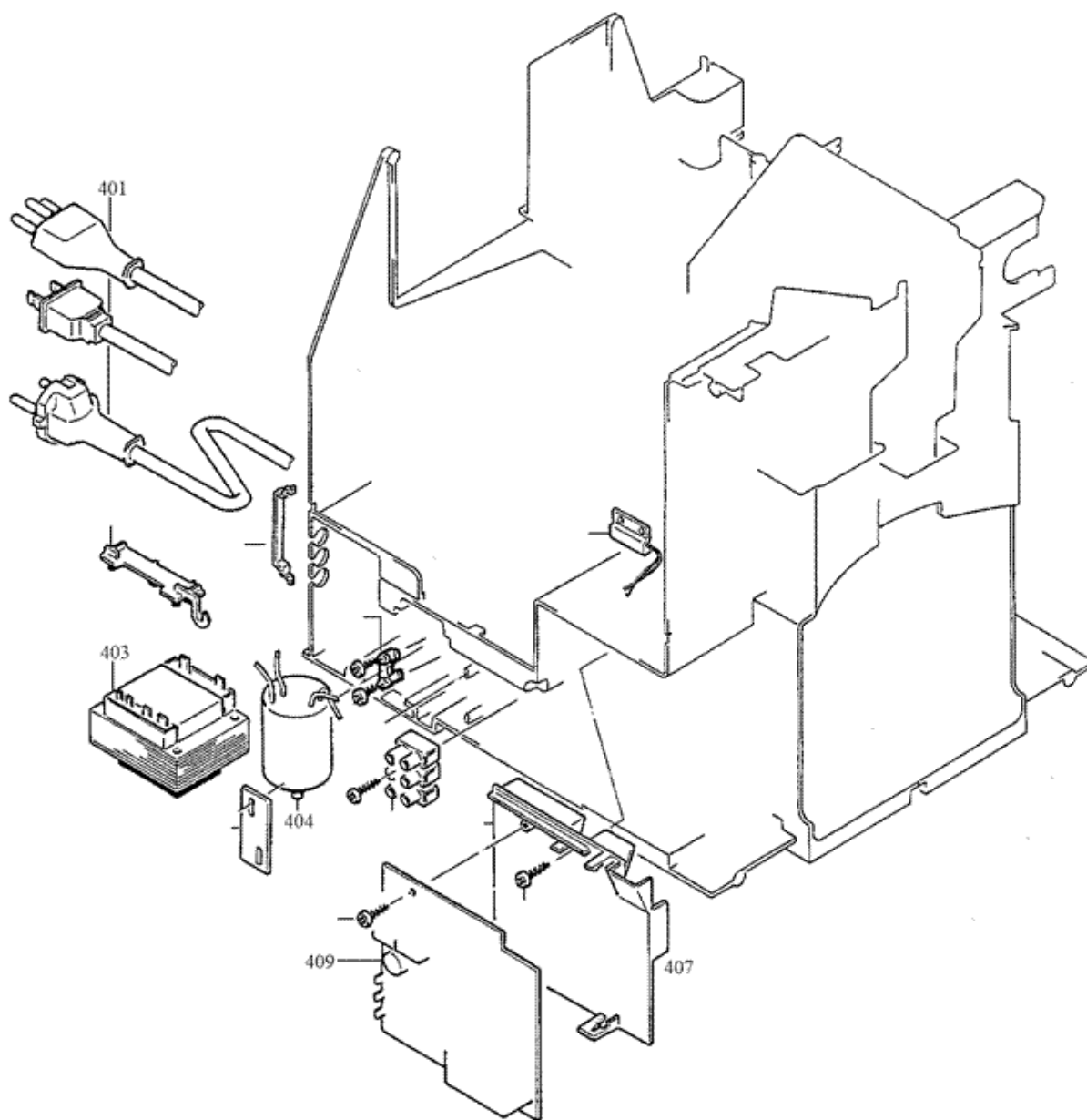
S13036_03



Pos	Designation	Material	Disassembly	Disposal	Variation	Return
0307	Front cover black printed	Plastic				
0316	Outlet gate metallic ready ass	ABS				
0318	Lid for outlet gate black	ABS				
0320	Electronic E70	Electronic				
0322	Discharge pipe chromium plate	Messing				

(4) Printed power circuit board

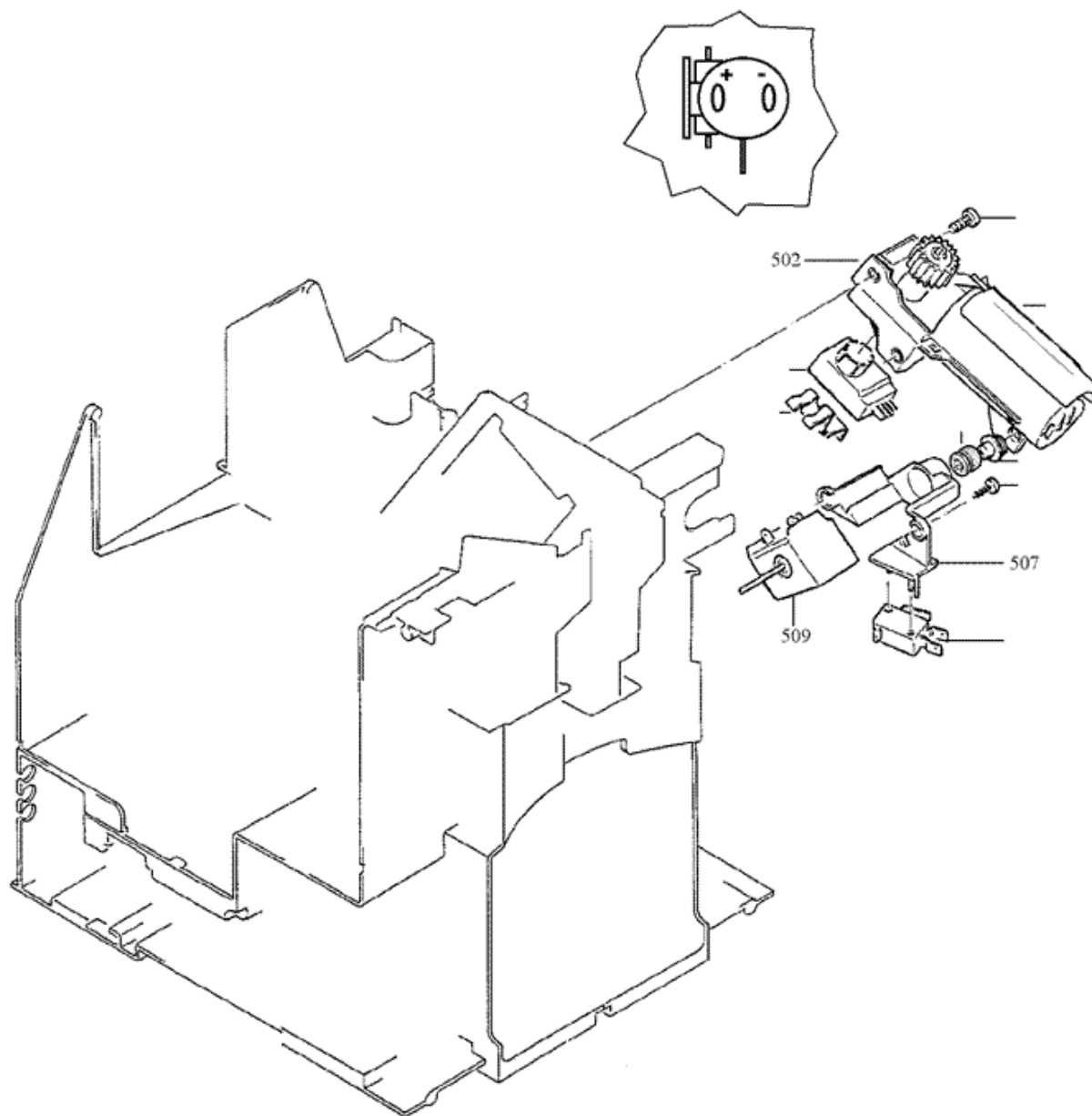
S13036_04



Pos	Designation	Material	Disassembly	Disposal	Variation	Return
0401	Incoming feeder sw RoHS	Copper / Gum				
0403	Transformer 230V	Electro			x	
0403	Transformer 120V	Electro			x	
0404	Interference eliminator ass.	Electro				
0407	Cable housing black	Plastic				
0409	Power pcb 120V	Electronic			x	
0409	Power pcb 230V	Electronic			x	

(5) Drive

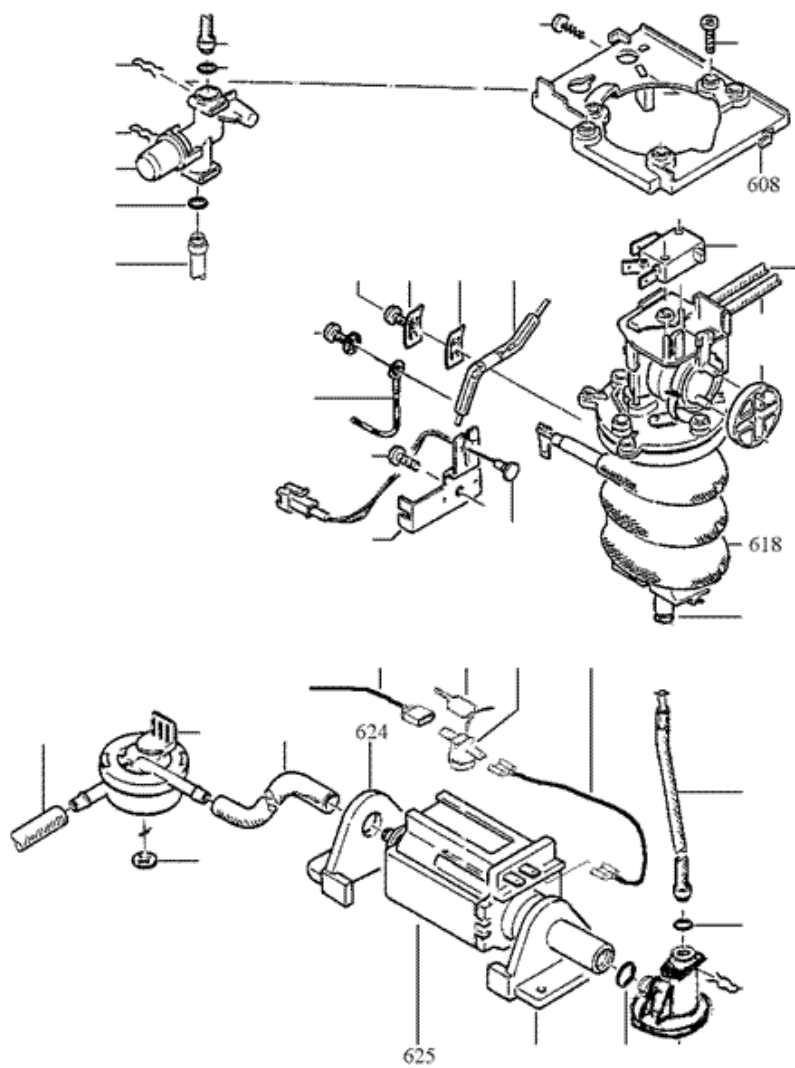
S13036_05



Pos	Designation	Material	Disassembly	Disposal	Variation	Return
0502	Geared motor E30 ass. RoHS	Electro / PPO				
0507	Drainage valve support	ABS				
0509	Magnet drainage valve IEC 230V	Copper / Steel / Plastic			x	
0509	Magnet drainage valve IEC 120V	Copper / Steel / Plastic			x	

(6) Heater

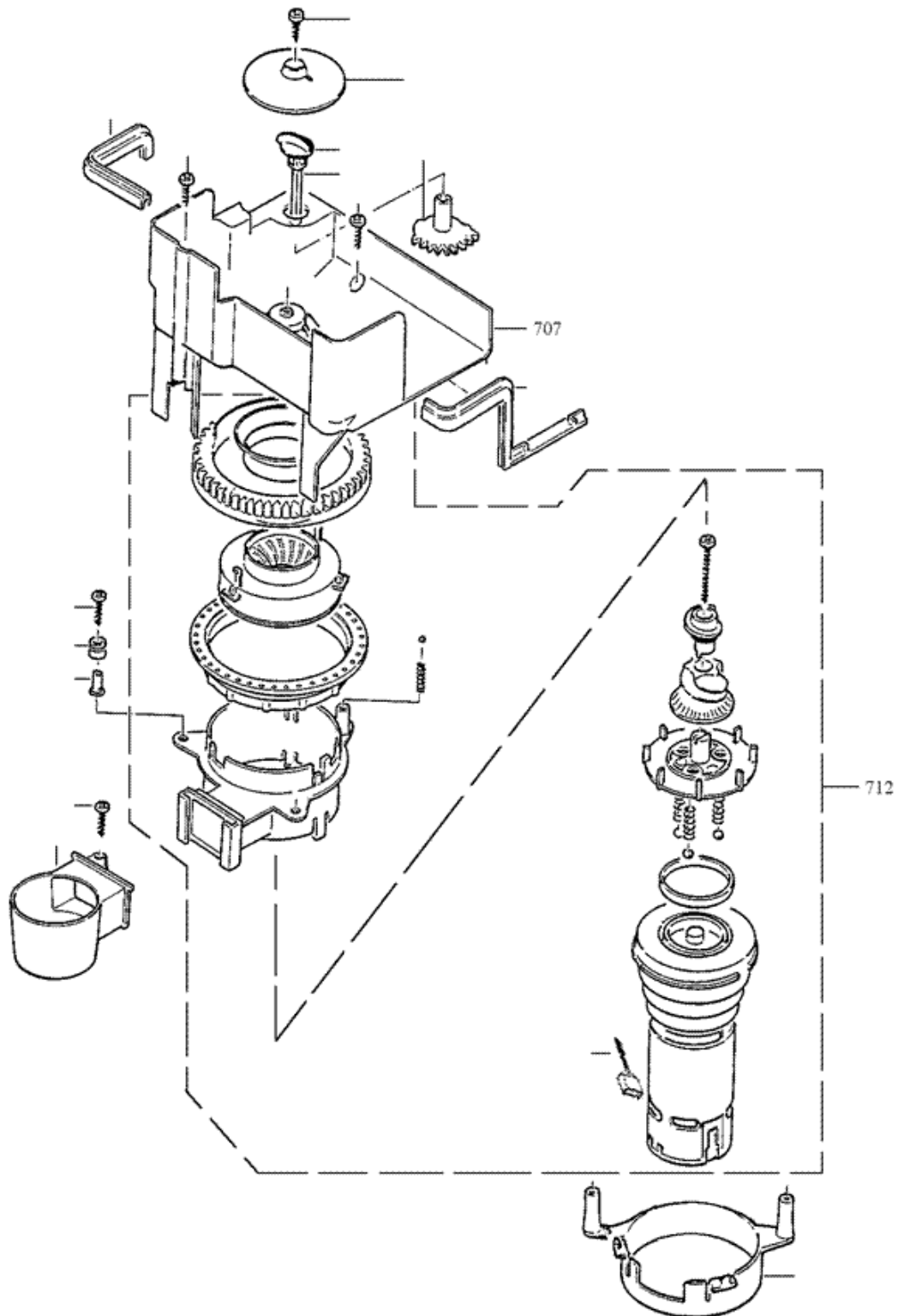
S13036_06



Pos	Designation	Material	Disassembly	Disposal	Variation	Return
0608	Heating cartridge carrier	PA				
0618	Heating cartridge 120V/1200W	AL / High-grade steel / Plastic / Silicone / PEI / PA			x	
0618	Heating cartridge 230v/1200w r	AL / High-grade steel / Plastic / Silicone / PEI / PA			x	
0624	Pump carrier version 2	Gum				
0625	Pump cp3a 120v/60hz	Electro			x	
0625	Pump cp3a/st 230v 50hz 65w	Electro			x	

(7) Grinder

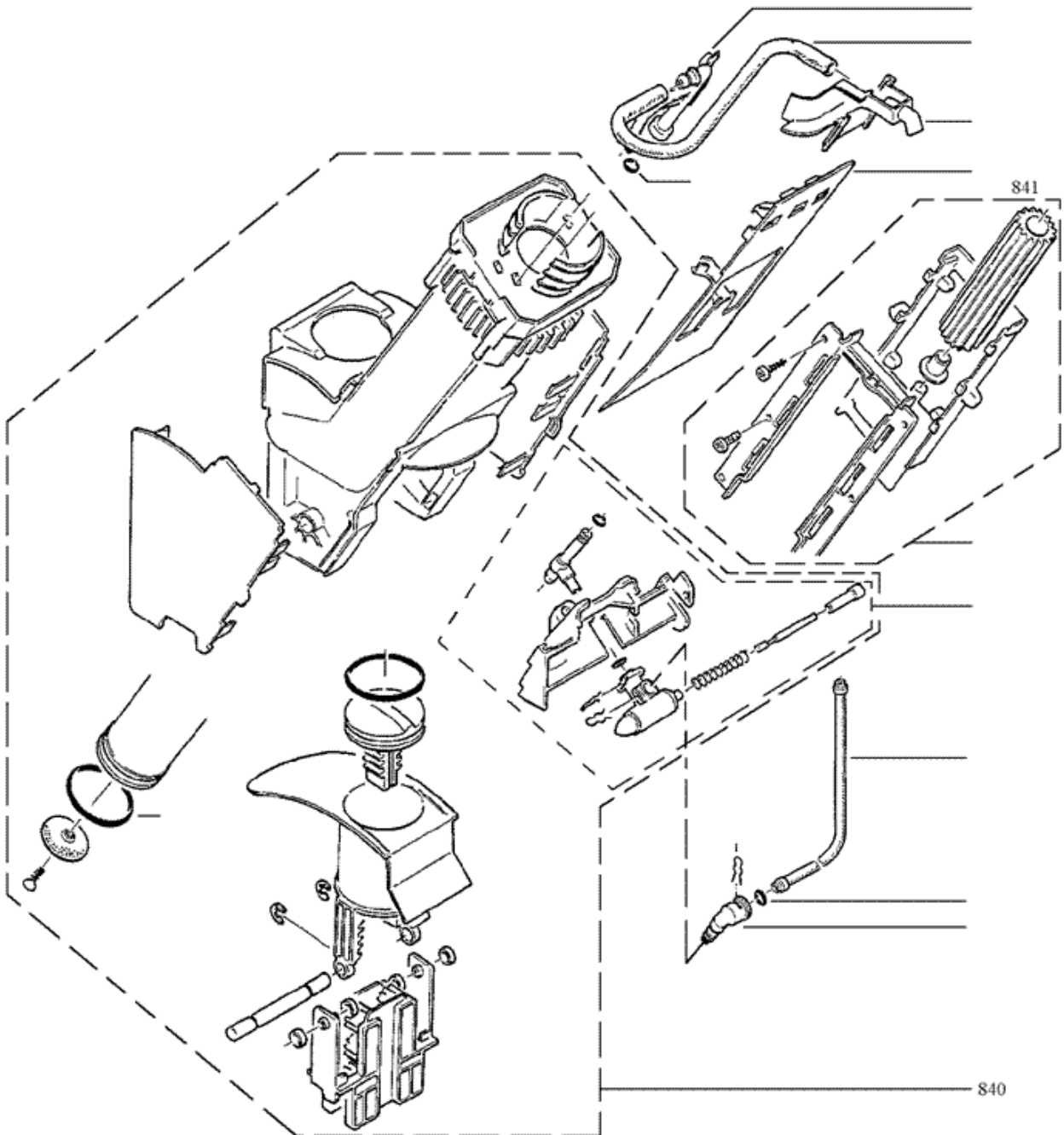
S13036_07



Pos	Designation	Material	Disassembly	Disposal	Variation	Return
0707	Bean container black printed	PP				
0712	Grinder unit 230V "choke"	Electro / POM / PA / NBR / Steel			x	
0712	Grinder unit 120V V6	Electro / POM / PA / ABS / Steel			x	

(8) Brew unit

S13036_08



Pos	Designation	Material	Disassembly	Disposal	Variation	Return
0840	Brew unit universal	POM / PA / Steel				
0841	Guide 114mm	AL / POM				