

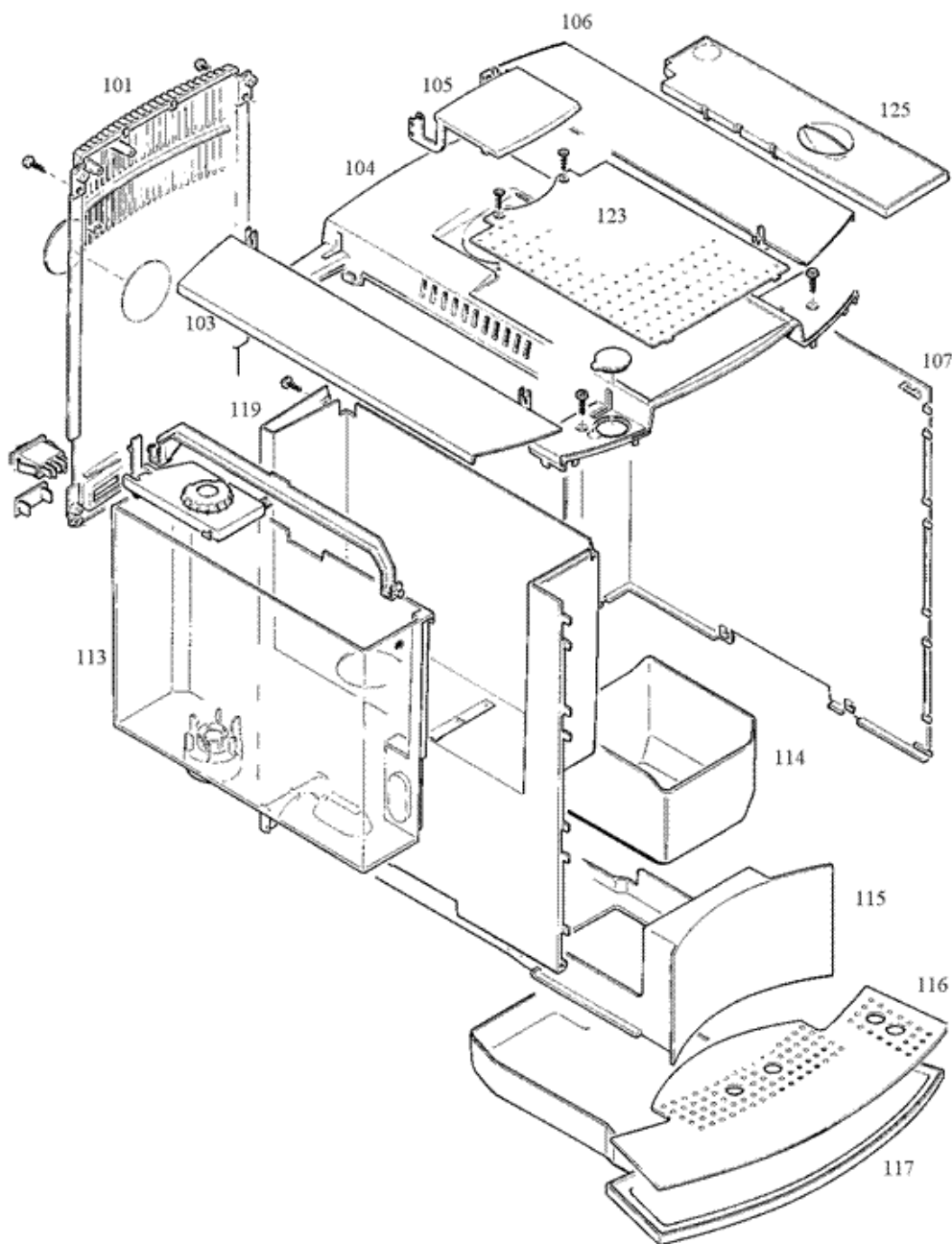
The recycling passport is valid for the following articles:

13343	Impresa C9 pianoblack (CH)
13344	Impresa C9 pianoblack (EU)
13422	Impresa C9 pianoblack (UL/JC)
13452	Impresa C9 pianoblack (UL)
13468	Impresa C9 pianoblack (EU INT)
13518	Impresa C9 pianoblack (AUS)
13542	Impresa C901 pianoblack (FUST)

The Variant designations mean:

(1) Case components and water tank

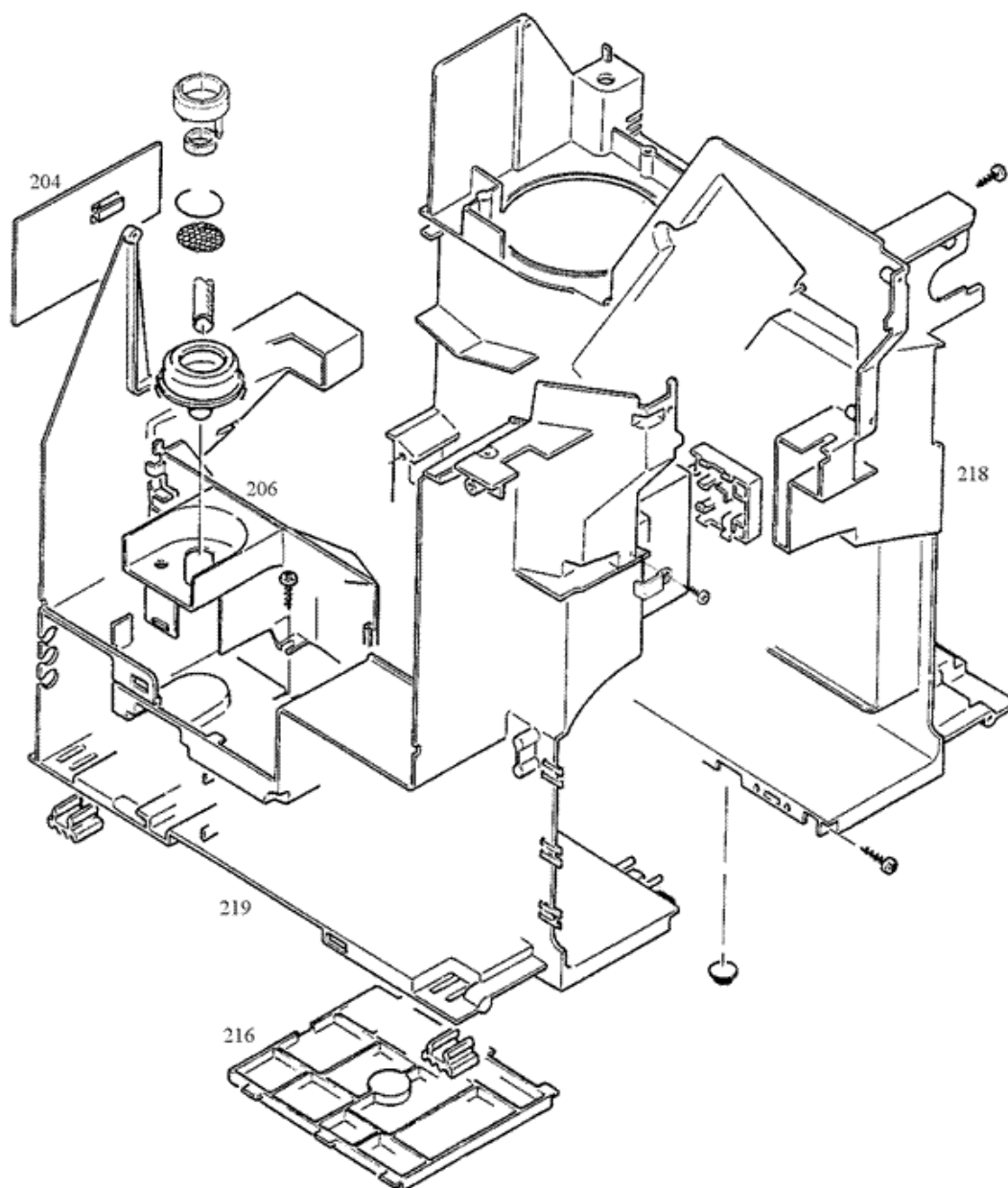
S13343_01



Pos	Designation	Material	Disassembly	Disposal	Variation	Return
0101	Back black	Plastic				
0103	Tank lid black	ABS				
0104	Cover housing black	ABS				
0105	Powder funnel lid black	Plastic				
0106	Bean container lid black	ABS				
0107	Right side section black	ABS				
0113	Watertank with bracket cpl.	Plastic				
0114	Used ground container black	ABS				
0115	Used ground pan black	ABS				
0116	cup platform inox	High-grade steel				
0117	Drain pan black	ABS				
0119	Left side section black	ABS				
0123	Cup support inox	High-grade steel				
0125	Lid to preserve aroma	SAN				

(2) Case components

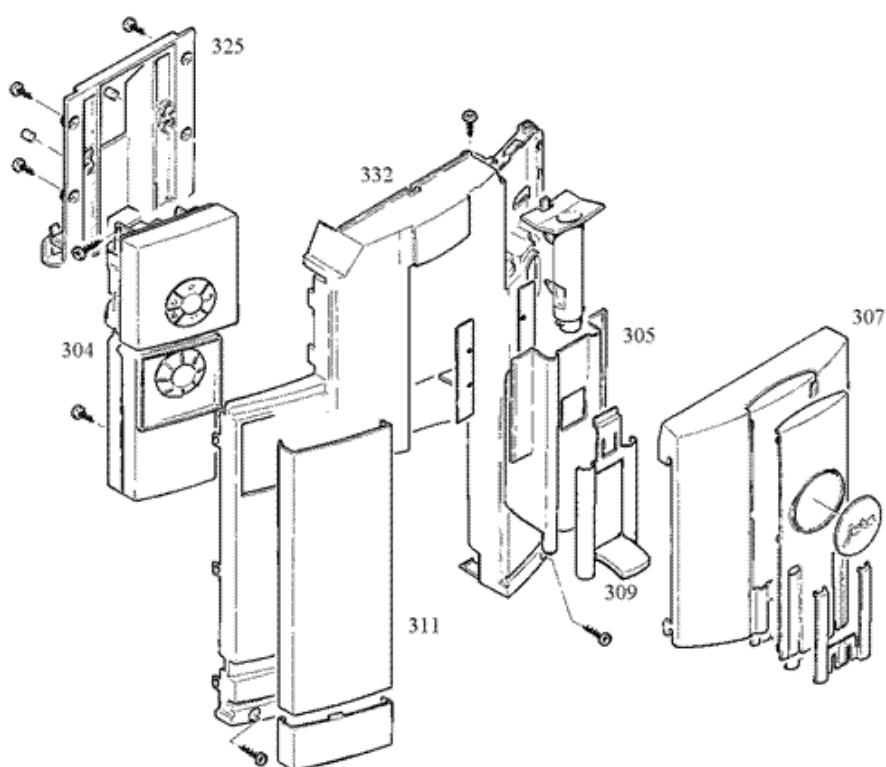
S13343_02



Pos	Designation	Material	Disassembly	Disposal	Variation	Return
0204	Funnel plate black	PP				
0206	Valve carrier black	ABS				
0216	Cover cable case	ABS				
0218	Components support destra	ABS				
0219	Components support V2	ABS				

(3) Front cover

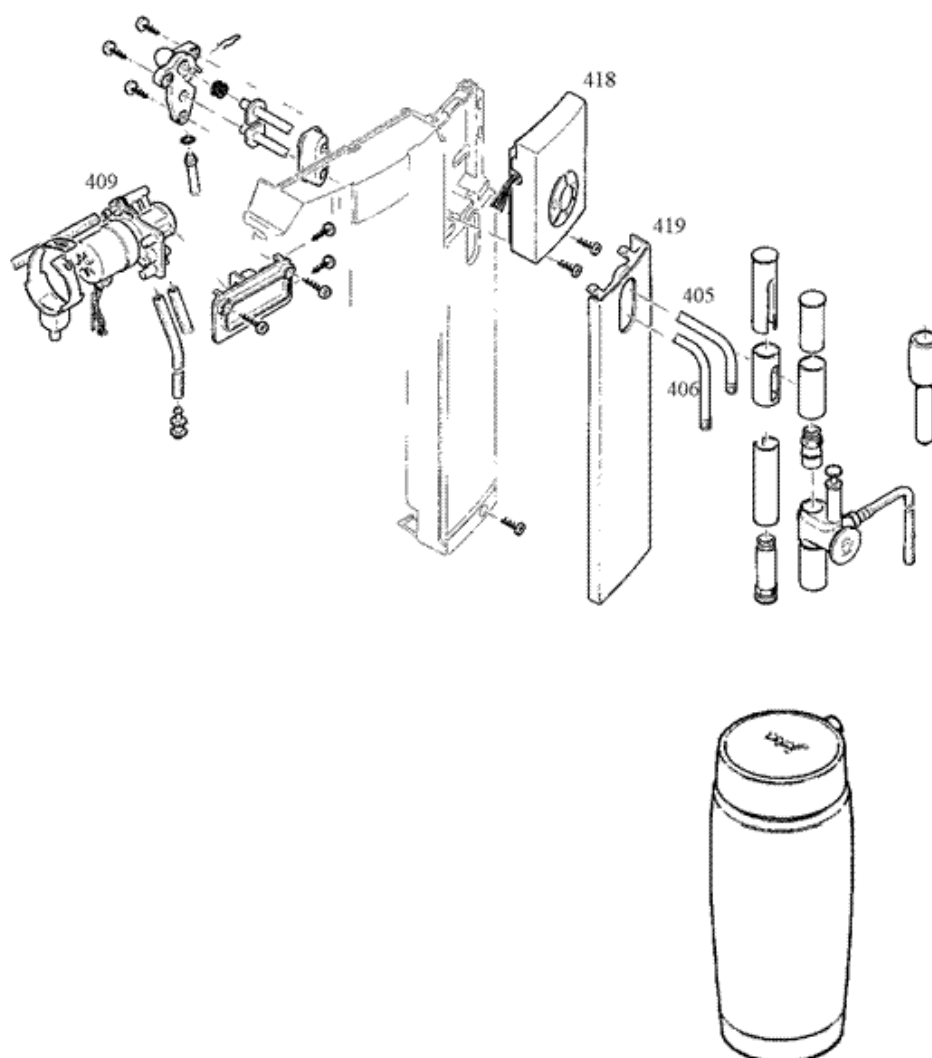
S13343_03



Pos	Designation	Material	Disassembly	Disposal	Variation	Return
0304	Logic pcb C9	Electronic				
0305	Outlet gate black	ABS				
0307	Front shield black V2	ABS				
0309	Sleeve cpl.	ABS				
0311	Hinged cover pianoblack	ABS				
0325	Guide for outlet gate	ABS				
0332	Front profile black	ABS				

(4) Cappu

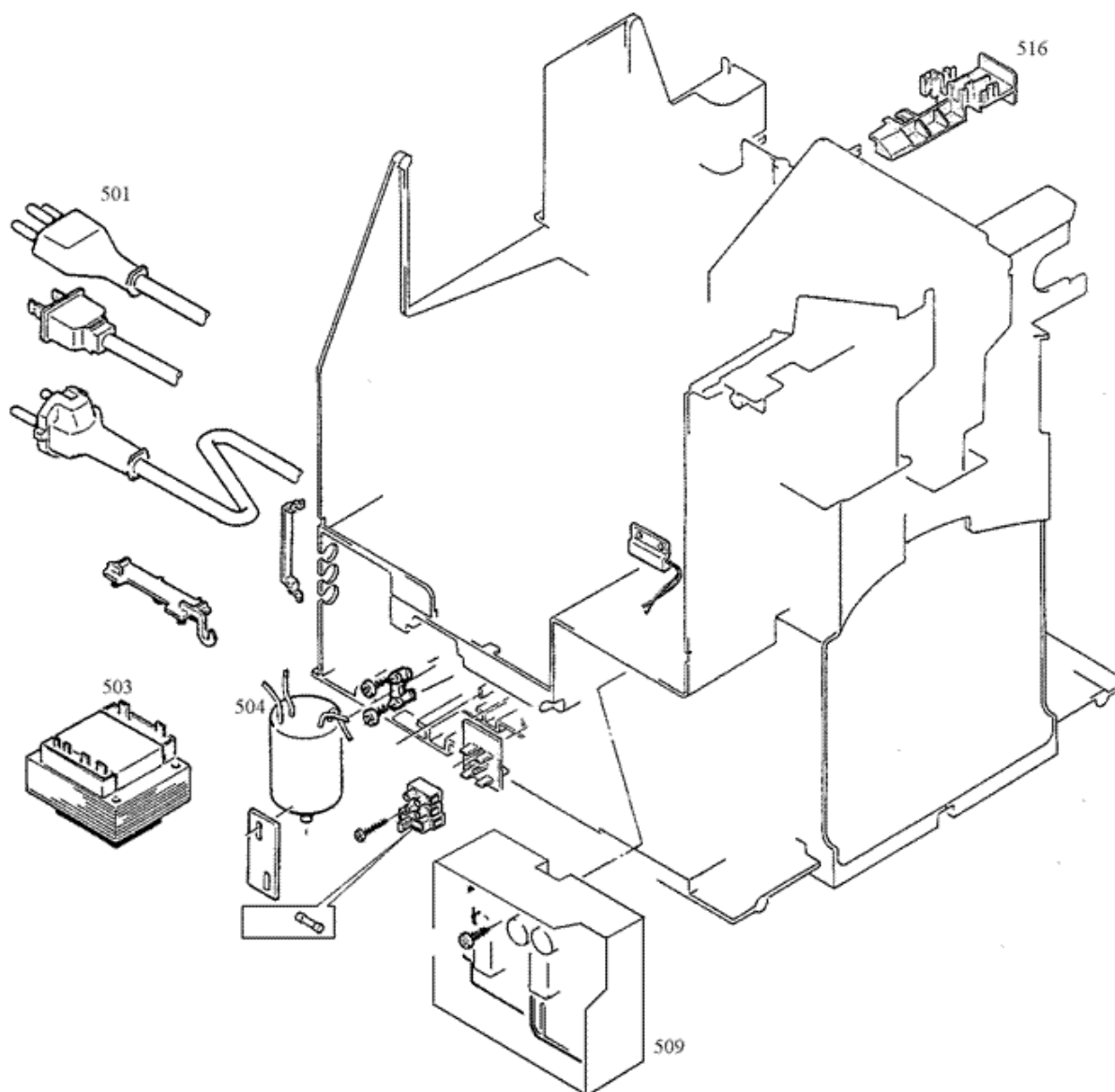
S13343_04



Pos	Designation	Material	Disassembly	Disposal	Variation	Return
0405	Discharge pipe inox	Steel / Messing				
0406	Discharge channel	Steel / Messing				
0409	Squeezing-valve	Electro / PA / Steel / Silicone				
0418	Steam pcb C9	Electronic				
0419	Front shield pianoblack right	ABS				

(5) Printed power circuit board

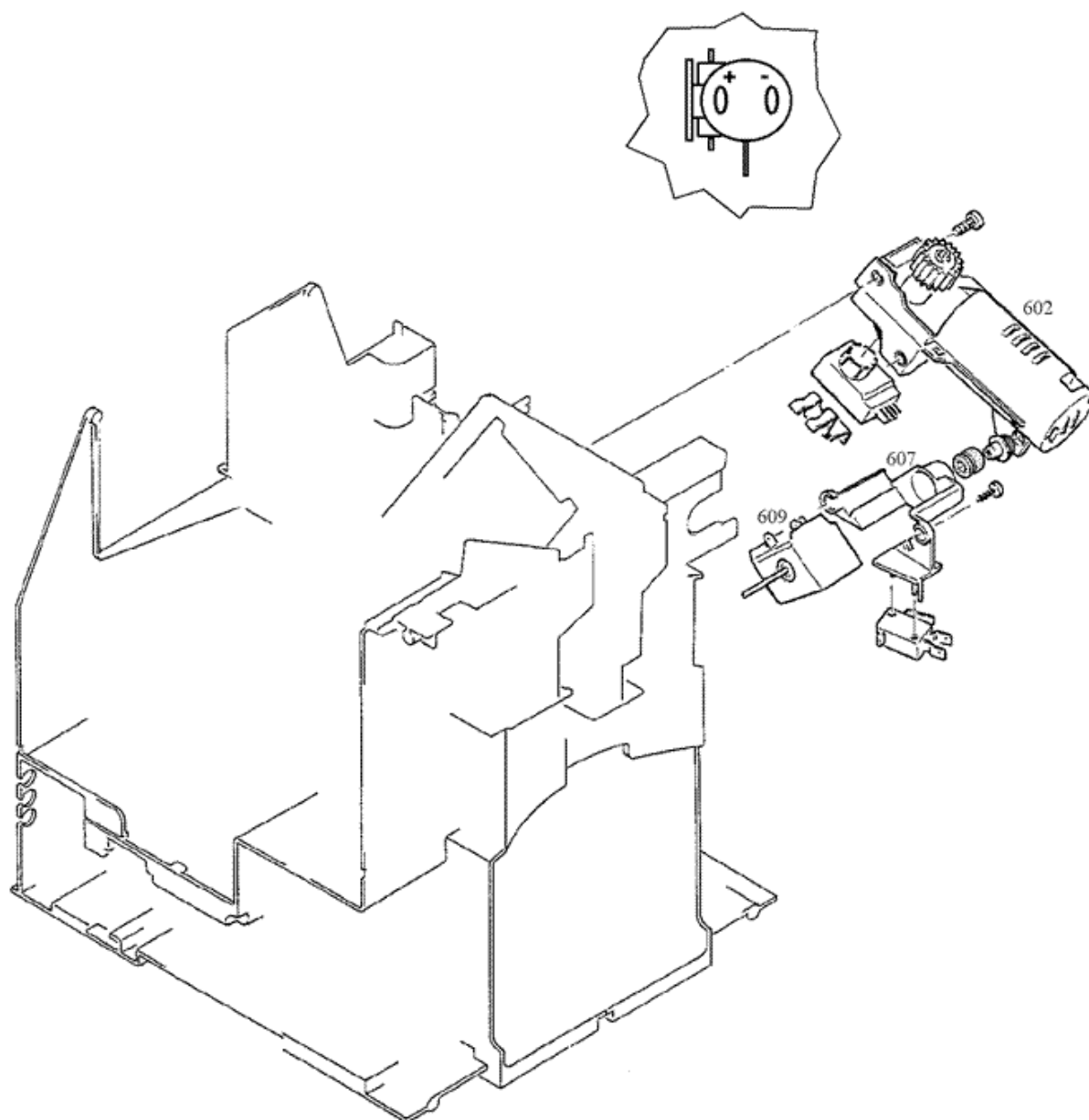
S13343_05



Pos	Designation	Material	Disassembly	Disposal	Variation	Return
0501	Incoming feeder sw RoHS	Copper / Gum				
0503	Transformer 230V	Electro			x	
0503	Transformer 120V UL	Electro			x	
0504	Interference eliminator	Electro				
0509	Power pcb 120V UL	Electronic			x	
0509	Power pcb C9 230V	Electronic			x	
0516	Support	PC				

(6) Drive

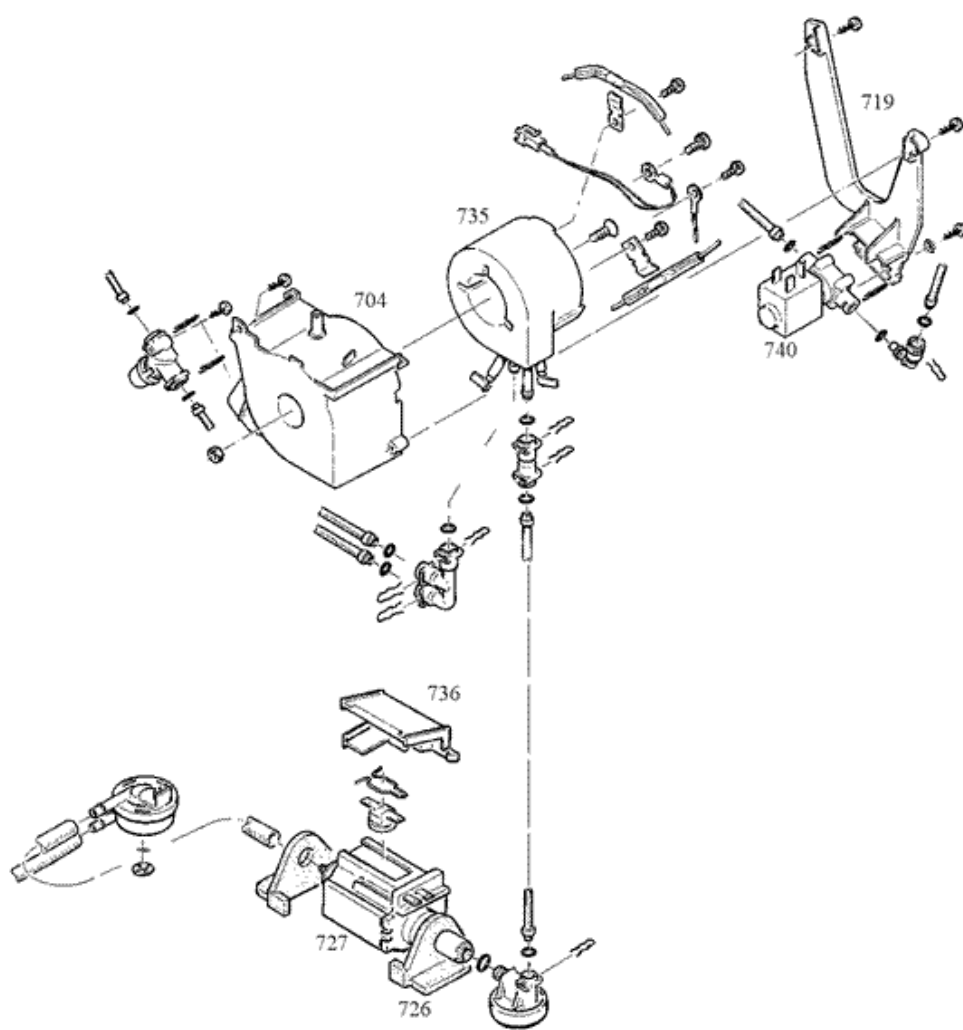
S13343_06



Pos	Designation	Material	Disassembly	Disposal	Variation	Return
0602	Geared motor E30 ass. RoHS	Electro / PPO				
0607	Drainage valve support	ABS				
0609	Magnet drainage valve IEC 230V	Copper / Steel / Plastic			x	
0609	Magnet drainage valve IEC 120V	Copper / Steel / Plastic			x	

(7) Heater

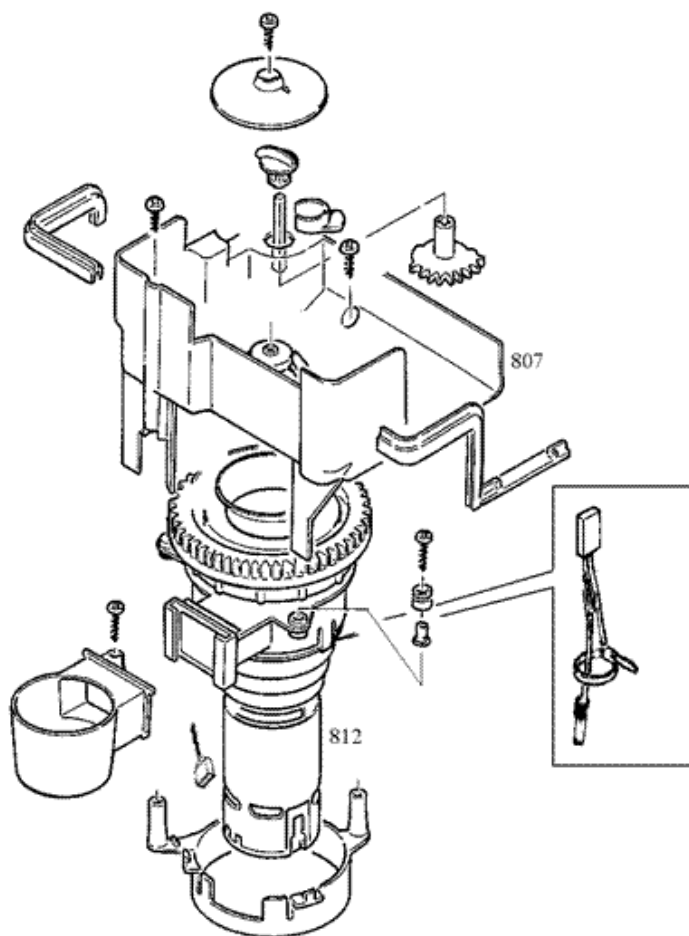
S13343_07



Pos	Designation	Material	Disassembly	Disposal	Variation	Return
0704	Heating support thermoblock	PA				
0719	Magnetic valve support	Plastic				
0726	Pump carrier version 2	Gum				
0727	Pump 110-120V/60Hz	Electro			X	
0727	Pump cp3a/st 230v 50hz 65w	Electro			X	
0735	Thermoblock sold. nipple 120V	AL / High-grade steel			X	
0735	T-Block sold. nipp. 230V/1400W	AL / High-grade steel			X	
0736	Cover black	ABS				
0740	Valve 120V cpl. V2	Electro			X	
0740	Valve 220-230V V3	Electro			X	

(8) Grinder

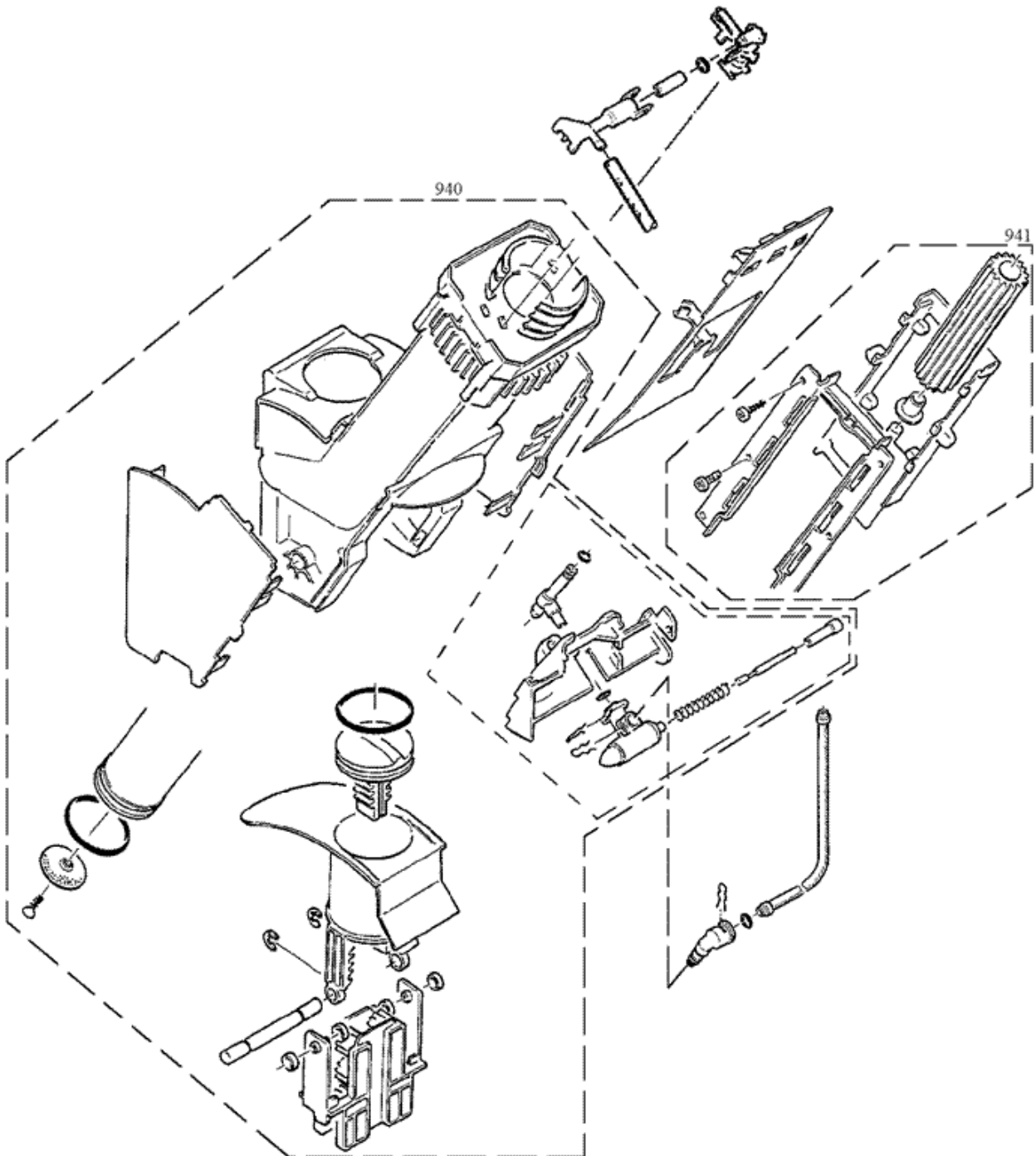
S13343_08



Pos	Designation	Material	Disassembly	Disposal	Variation	Return
0807	Bean container black printed	PP				
0812	Grinder unit 230V "choke"	Electro / POM / PA / NBR / Steel			x	
0812	Grinder unit 120V V6	Electro / POM / PA / ABS / Steel			x	

(9) Brew unit

S13343_09



RP13343 Impresa C9 pianoblack (CH)
Edition: 27/10/09

654

Pos	Designation	Material	Disassembly	Disposal	Variation	Return
0940	Brew unit universal	POM / PA / Steel				
0941	Guide 114mm	AL / POM				