

Veneziano A2 and A3

Spare parts catalogue

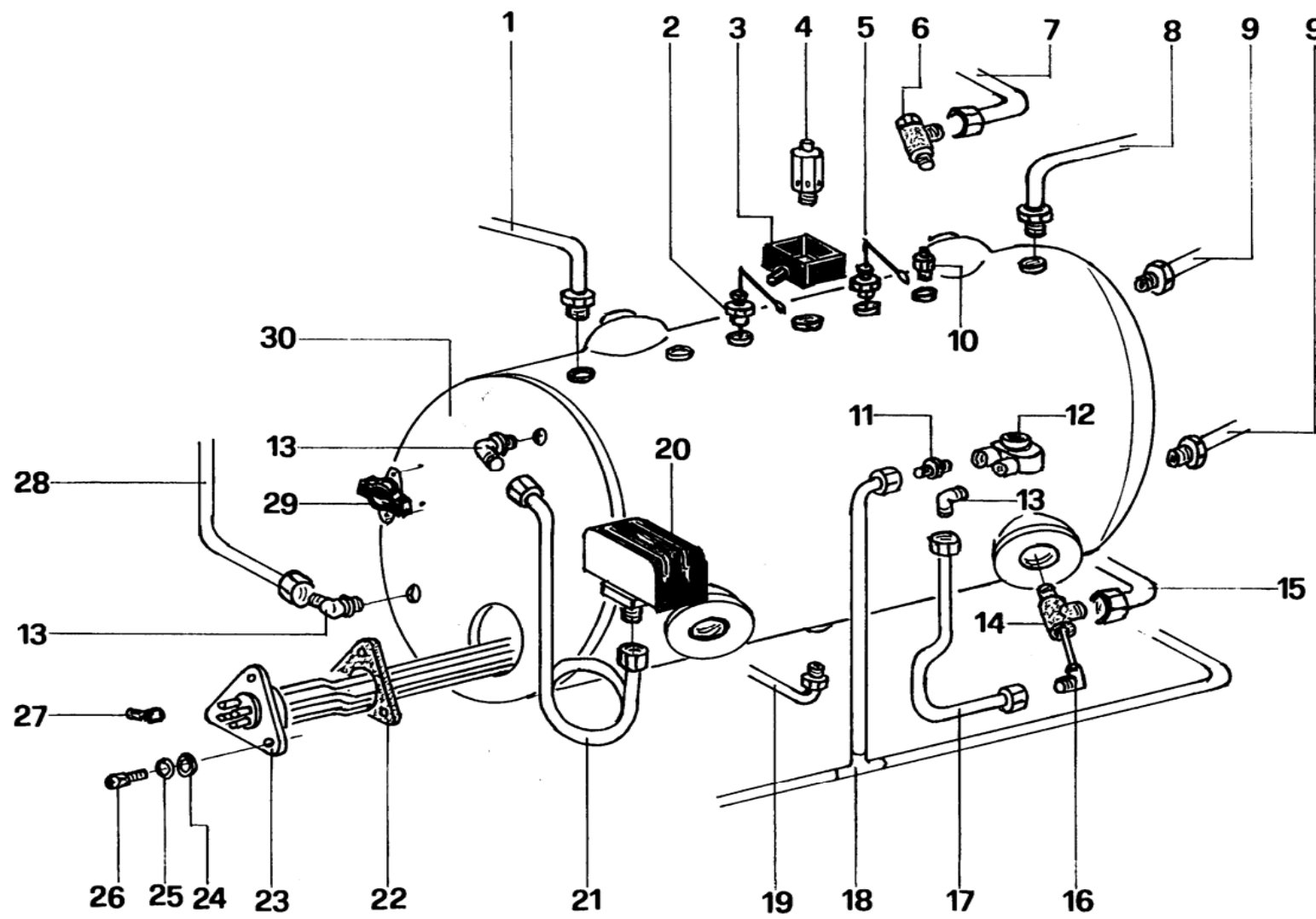
24.09.2002

Summary

Page

3 - 5	Boiler-hydraulics
6 - 7	Group
8 - 11	Bodywork and electr.
12 - 14	Valve block, drain
15 - 16	Level control / sight glass
17 - 18	Hot water assembly
19 - 20	Steam valve assembly
21 - 22	Pump assembly

Boiler and hydraulic parts



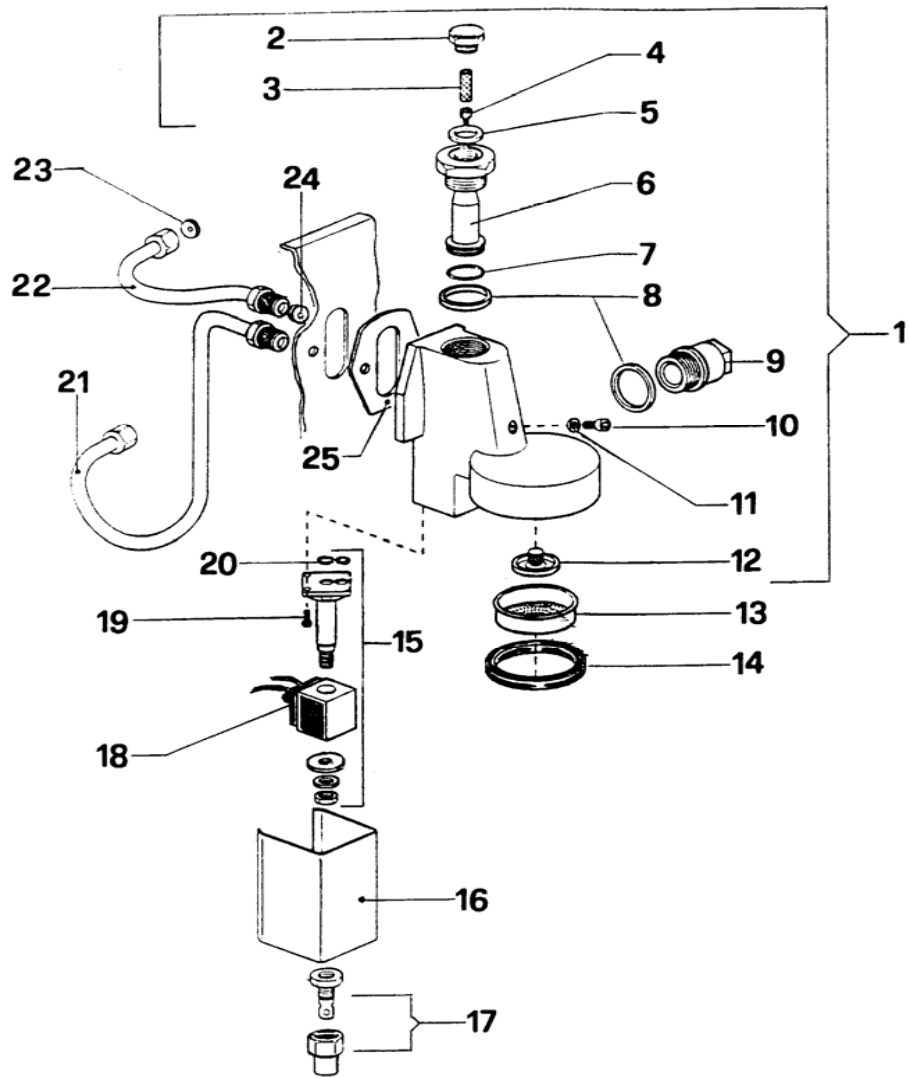
Boiler and hydraulic parts

Pos.	Code	Description
1	C200001785	Right side steam wand
2	C199900295	Level control probe
3	C439900778	Drain tray
4	C229900559	Safety valve
5	C199900295	Auto fill probe
6	C229900531	Connector
7	C279900634	Pipe
8	C200001784	Left side steam wand
9	C279900661	Level pipe
10	C219900560	Breaker valve
11	C229900520	Connector 1/4"
12	C199900299	Flow meter
13	C229900534	L-connector 1/4"
14	C229900532	Connector
15	C279900635	Pipe
16	C229900533	Injection pipe
17	C200001792	Pipe
18	C279900631	Pipe to heat exchanger 2 group machine
18	C279900632	Pipe to heat exchanger 3 group machine
19	C200001739	Boiler drain pipe
20	C199900279	Pressure switch UL Sirai
21	C279900636	Pipe
22	C469900779	Gasket
23	C199900513	Heating element W 3000 (2 groups)
23	C199900175	Heating element W 4000 (2 groups)
23	C199900890	Heating element W 5000 (2 groups)
23	C199900515	Heating element W 4000 (3 groups)
23	C199900176	Heating element Watt 5000 (3 groups)
23	C199900891	Heating element Watt 6000 (3 groups)
24	C309900158	Washer diam. 8

Boiler and hydraulic parts

Pos.	Code	Description
25	C399900152	Elastic washer diam 8
26	C319900123	Screw
27	C149900218	Cover
28	C200001791	Pipe
29	C199900366	Thermo cut off UL
30	C277700505	Nickel plated boiler 2 groups
30	C277700506	Nickel plated boiler 3 groups

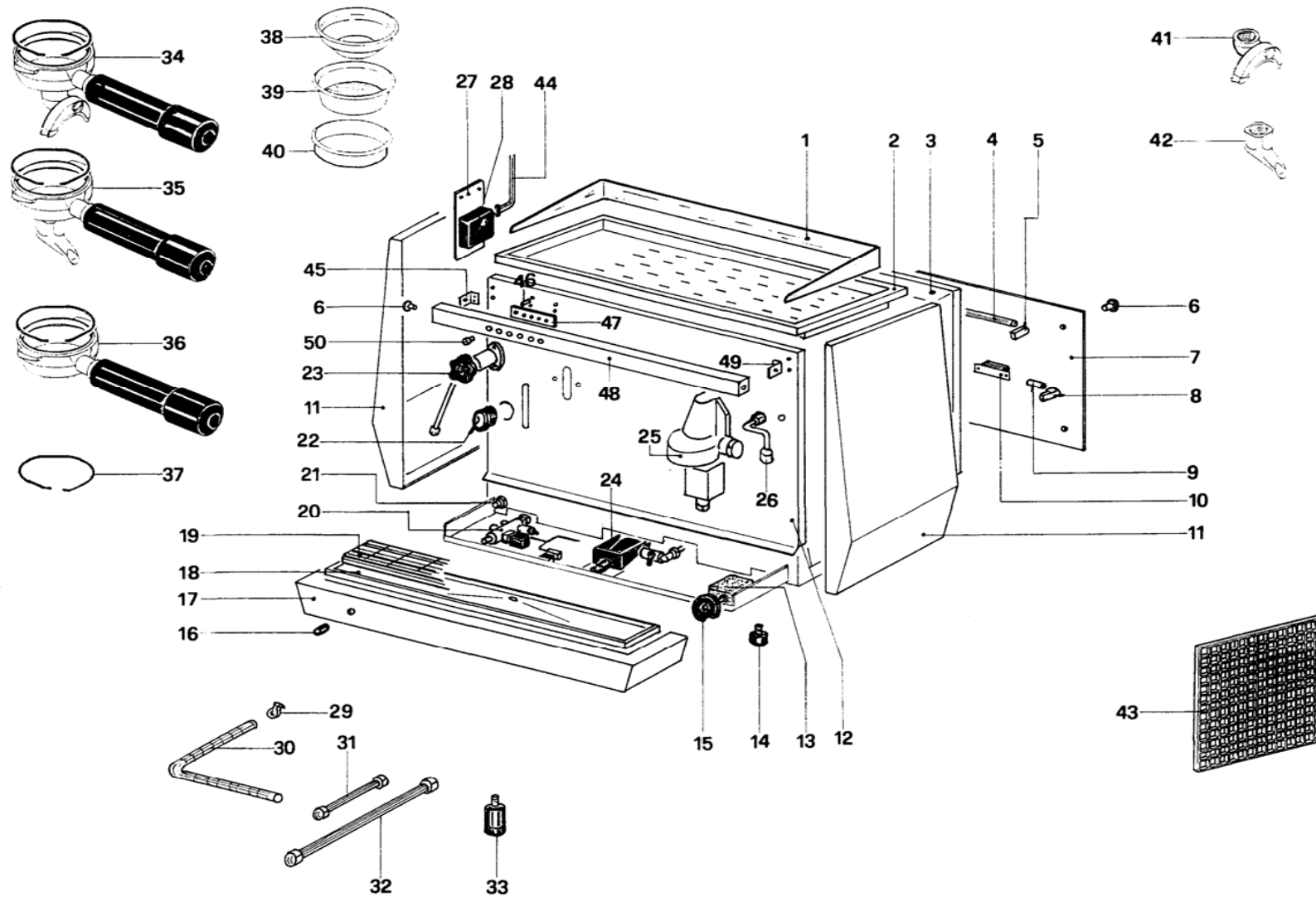
Group



Group

Pos.	Code	Description
1	C200001845	Group
2	R000002141	Cover for (restrictor) gicleur
3	C619900554	Filter for (restrictor) gicleur
4	C229900549	Restrictor 0,8
5	C469900420	Gasket
6	C229901133	Cylinder
7	C469900422	Gasket
8	C469900421	Gasket
9	R000002798	Nut
10	C309900164	Screw (inox)
11	C469901132	Teflon gasket
12	C229901128	Diffuser
13	C519900103	Shower screen
14	C449900229	Group gasket
15	C100002795	3way solenoid valve V208-240/60 UL
16	C000001740	Cover
17	C200002153	Nozzle
18	C100002797	Solenoid V208-240/60 UL
19	C319900120	Screw (inox)
20	C449900786	OR 2025
21	C279900635	Pipe
22	C279900634	Pipe
23	C229900686	Restrictor Ø 2.5
24	C229900687	Restrictor Ø 3.5
25	C449900767	Gasket

Bodywork and electr. Components



Bodywork and electr. Components

Pos.	Code	Description
1	C400001610	Cups frame 2 groups
1	C400001611	Cups frame 3 groups
2	C017700071	Cups tray 2 groups
2	C017700072	Cups tray 3 groups
3	C019901620	Rear panel 2 groups
3	C019901621	Rear panel 3 groups
4	C100001689	Neon light 2 groups
4	C100001690	Neon light 3 groups
5	C100001695	Lamp holder
6	C577001613	Pin
7	C000701618	Rear glass 2 groups
7	C000701619	Rear glass 3 groups
8	C100001694	Support for starter
9	C100001693	Starter
10	C100001691	Reactor 2 groups
10	C100001692	Reactor 3 groups
11	C019901631	Side panel
12	C000001727	Front panel 2 groups
12	C000001728	Front panel 3 groups
13	C199901093	Switch box 3 groups UL
13	C199900689	Switch box 2 groups UL
14	C449900752	Foot

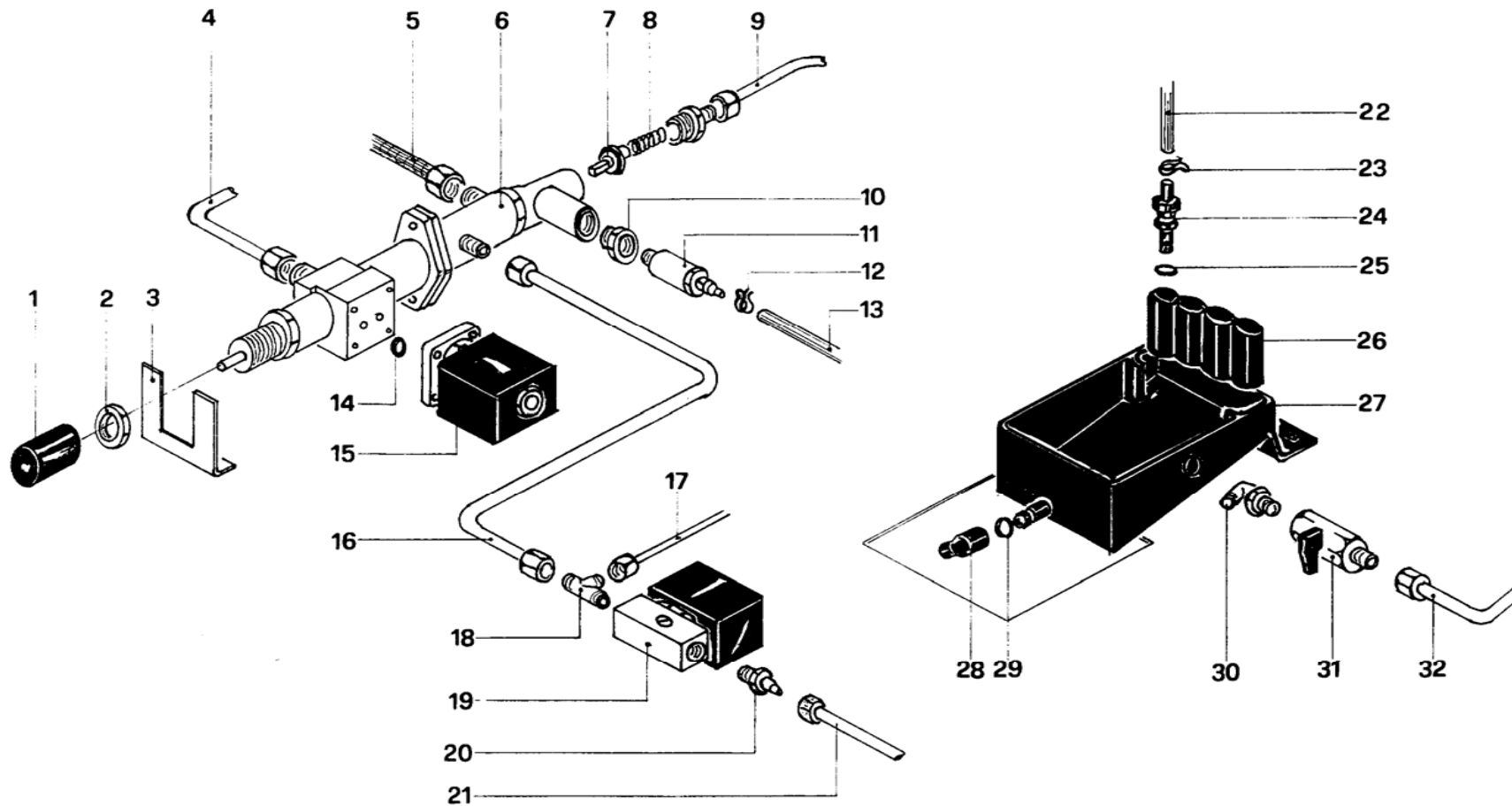
Bodywork and electr. Components

Pos.	Code	Description
15	C419900718	Plastic wheel
16	C400001615	Plastic cover (for manual boiler fill)
17	C019901616	Support 2 groups
17	C019901617	Support 3 groups
18	C019901633	Drip tray 2 groups
18	C019901634	Drip tray 3 groups
19	C000001656	Grid 2 groups
19	C000001657	Grid 3 groups
20		Valve block (see separate sheet)
21	C200001881	Water inlet filter
22	C200001644	Pressure gauge
23		Steam valve (see separate sheet)
24		Drain (see separate sheet)
25		Group (see separate sheet)
26		Hot water dispensing (see separate sheet)
27	C000001827	Support for control box
28	C100002807	Control box V230/50-60HZ
29	C439901114	Fixing device
30	C639900766	Pipe
31	C219900598	Hose L 500
32	C219900597	Hose L 1500
33	C600001920	Foot for USA
34	C699901066	2 cups filter holder
35	C699901065	1 cup filter holder
36	C229900667	Filter holder
37	C619900098	Spring
38	C619900104	7 g filter basket

Bodywork and electr. Components

Pos.	Code	Description
39	C619900105	14 g filter basket
40	C619900016	Blind filter
41	C229900566	2 cups spout
42	C229900562	1 cup spout
43	C639900809	Plastic grid
44	C199900269	Flat cable L 800
44	C199900270	Flat cable L 1000
44	C199900271	Flat cable L 1300
45	C000001724	Left side support
46	C100001806	Pin
47	C199901045	Touchpad
48	C017701725	Panel 2 groups
48	C017701726	Panel 3 groups
49	C000001723	Right side support
50	C057701037	Chromed button

Valve block and drain tray



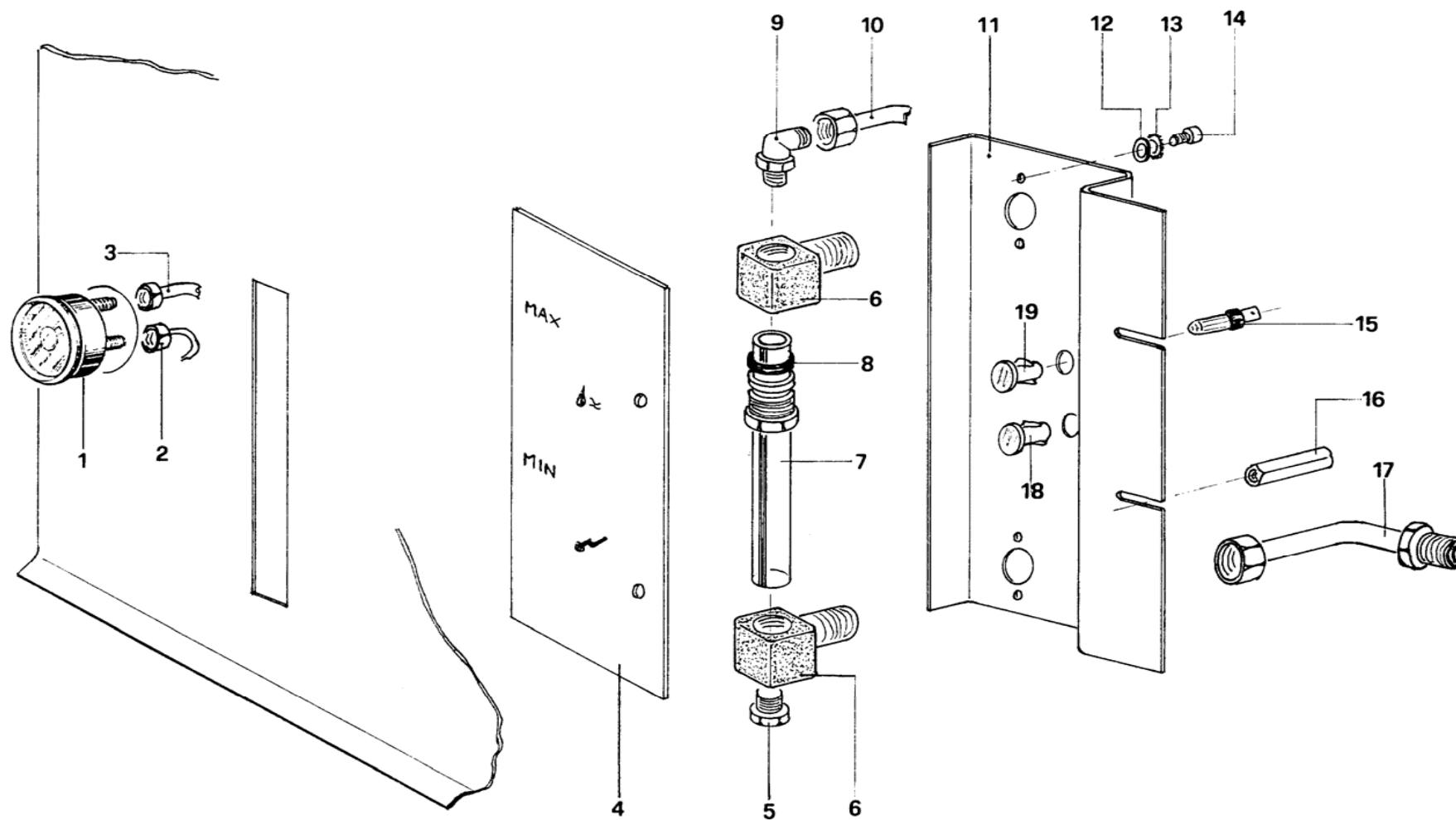
Valve block and drain tray

Pos.	Code	Description
1	C400001615	Handle
2	C229900539	Washer
3	C000001622	Support
4	C200001786	Pipe
5	C619900469	Pipe
6	C200001635	Valve block
7	C229900370	Non return valve
8	C019900101	Spring
9	C279900631	Pipe
9	C279900632	Pipe
10	C229900236	Reduction 1/4" F - 1/2"M
11	C199901565	Expansion valve
12	C019901040	Fixing device
13	C499900831	Silicone pipe 7 x 10
14	C449900786	OR 2025
15	C100002794	Solenoid valve boiler fill V208-240/60 UL
16	C200002233	Pipe valve block to tempering valve (2 groups)
16	C200002234	Pipe valve block to tempering valve (3 groups)
17	C200001712	Pipe pressure gauge to pump
18	C229900374	T-connector 1/8"
19	C100002793	Solenoid valve water tempering V208-240/60 UL
20	C229900708	Connector
21	C269900300	Teflon pipe 4x6
22	C499900769	Silicone pipe 5x8
23	C019900935	Fixing device

Valve block and drain tray

Pos.	Code	Description
24	C439900971	Nozzle
25	C449900702	OR 2031
26	C439900972	Pipe
27	C439900970	Drain tray
28	C400001738	Connector
29	C449901447	OR 112
30	C229900534	L-connector 1/4"
31	C299901072	Drain valve
32	C200001739	Boiler drain pipe

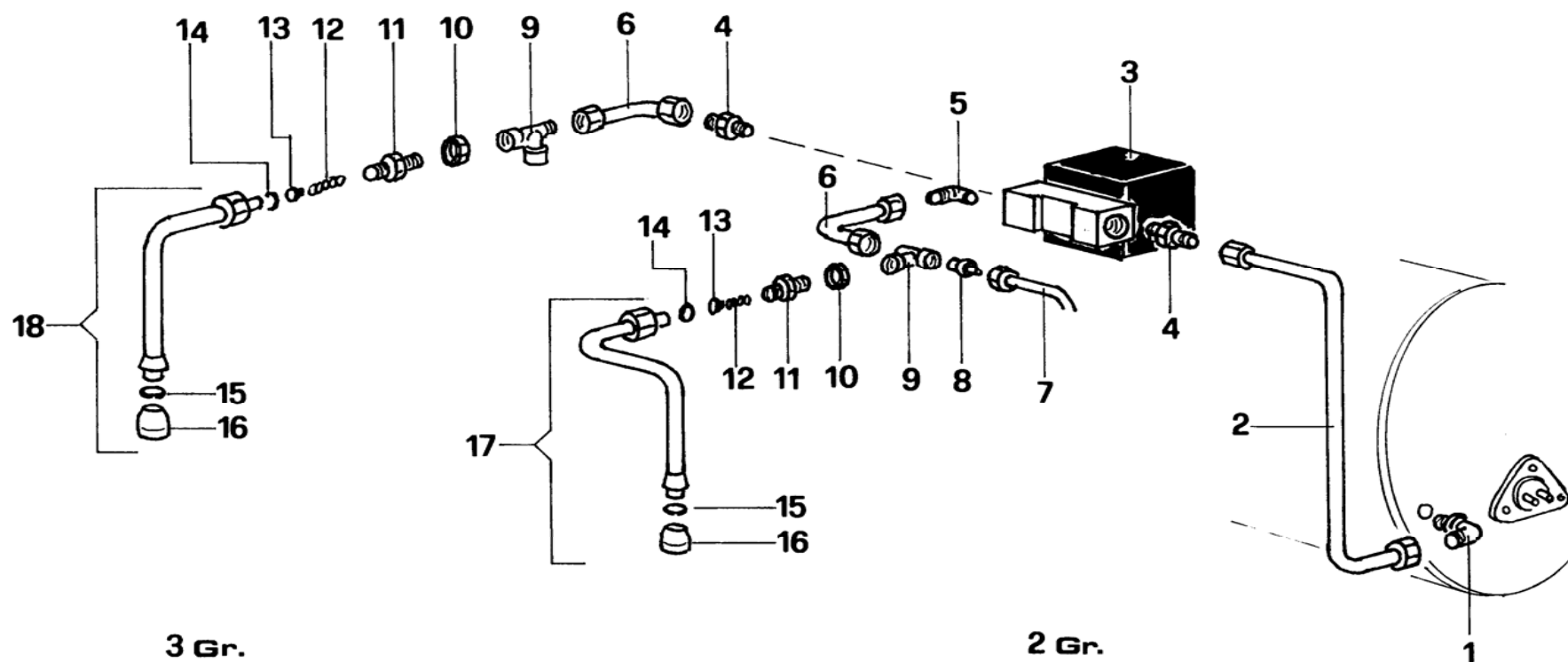
Water level sight glass



Water level sight glass

Pos.	Code	Description
1	C200001644	Pressure gauge
2	C200001712	Pipe
3	C279900668	Pipe pressure gauge to boiler
4	C439900008	Cover level sight glass
5	C229900569	Plug 1/4"M
6	C229900567	Block
7	C699900808	Sight glass
8	C449900719	OR sight glass
9	C229900534	L-connector 1/4"
10	C200001786	Boiler fill pipe
11	C000400074	Support
12	C319900156	Washer Ø 5
13	C300001906	Washer Ø 5
14	C319900747	Screw M5
15	C100002801	Lamp V230
16	C529901239	Support
17	C279900661	Level pipe
18	C100002799	Green lamp
19	C100002800	Red lamp

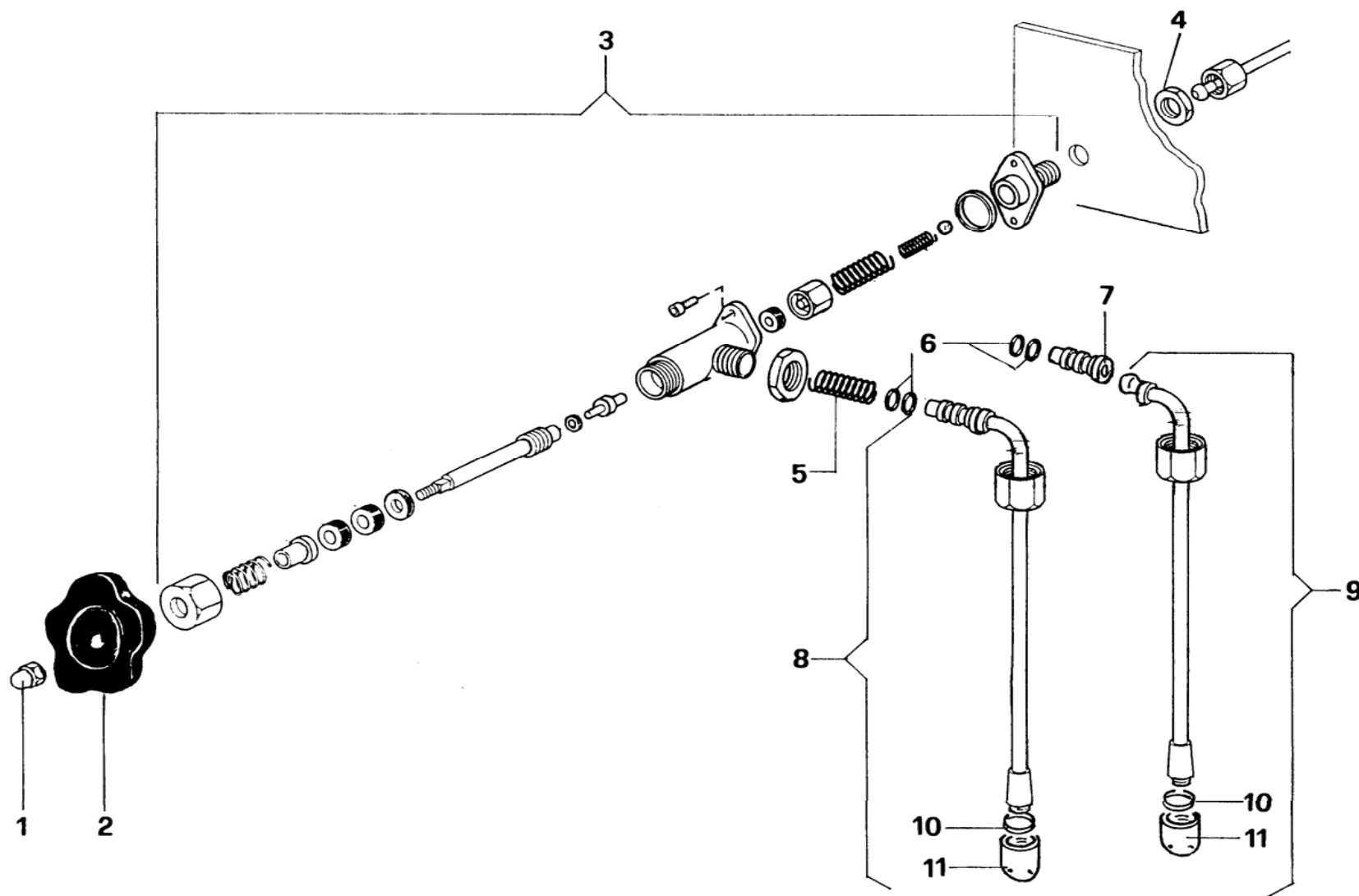
Hot water valve



Hot water valve

Pos.	Code	Description
1	C229900534	L-connector 1/4"
2	C200001791	Pipe
3	C100002792	Hot water solenoid valve V208-240/60 UL
4	C229900520	Connector 1/4"
5	C229900534	L connector 1/4"
6	C229900394	Pipe
7	C269900300	Teflon pipe 4x6
8	C200001851	Connector
9	C229900580	T-connector
10	C329900682	Nut 1/4"
11	C227700844	Connector
12	C300002131	Spring
13	C500002133	Support
14	C449900786	O Ring
15	C469900403	Gasket
16	C227700536	Nozzle
17	C200001799	Hot water wand 2 GR.
18	C200001800	Hot water wand 3 GR.

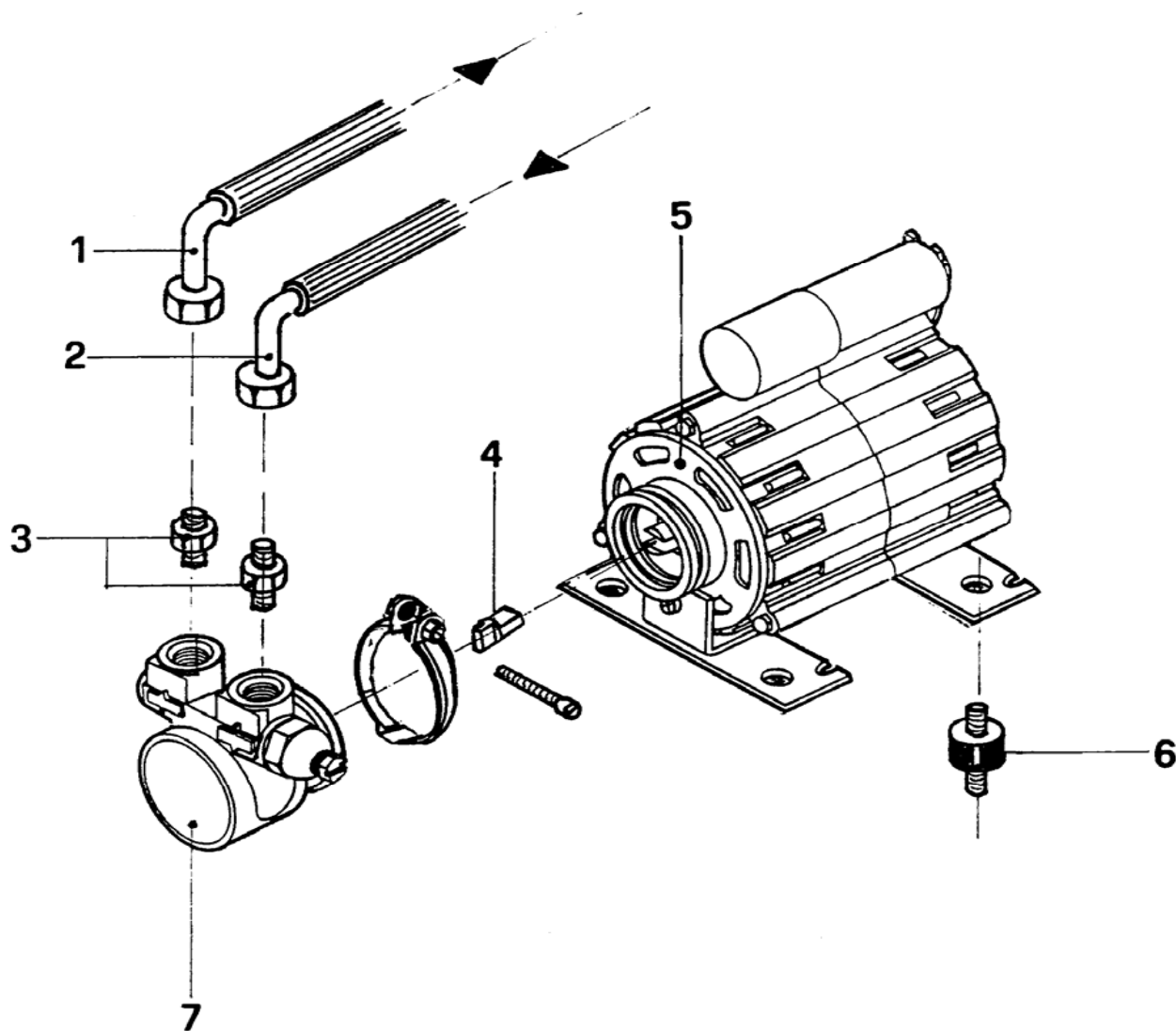
Steam valve



Steam valve

Pos.	Code	Description
1	C319901582	Blind nut M6
2	C400001612	Handle
3	C200002803	Steam valve
4	C229900539	Connector 3/8"
5	C300002254	Spring
6	C400002255	OR 113 Viton
7	C200002253	Connector
8	C200002804	Steam wand
9	C200002252	Steam wand (swivels)
10	C469900403	Gasket
11	C229900538	4 hole nozzle

Pump



Pump

Pos.	Code	Description
1	C619900469	Pipe from pump to valve block
2	C619900173	Pipe from pump to valve block
3	C229900523	Connector 3/8"
4	R000002802	Connector
5		
5	C199900180	Motor W180 V220/60 UL
5		
6	C449900753	Shock absorber
7	C199900350	Pump