

Raffaello Megaline A1 and A2

Spare parts catalogue

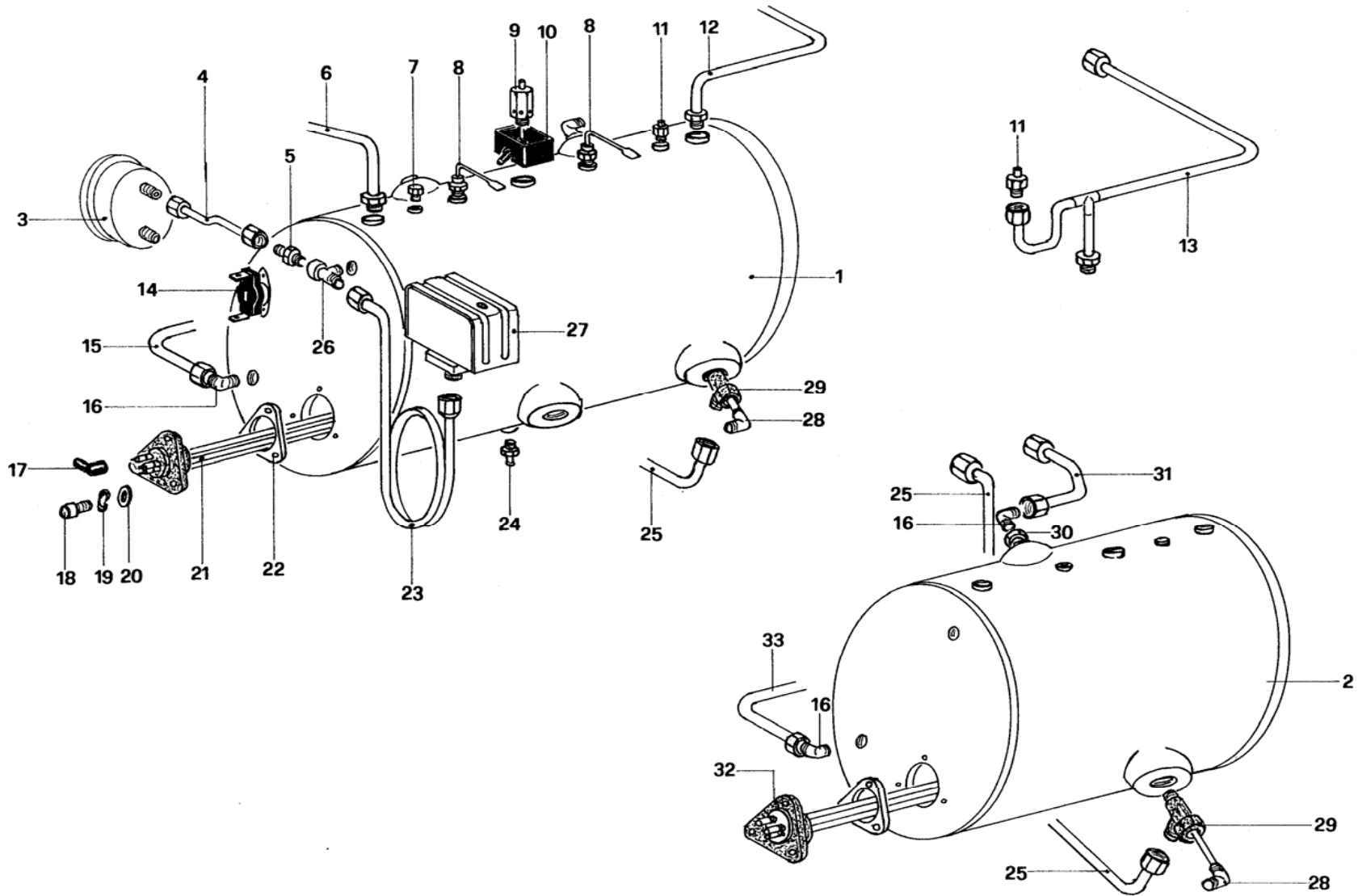
24.09.2002

Summary

Page

3 - 5	Boiler-hydraulics
6 - 7	Group
8 - 11	Bodywork and electr.
12 - 13	TAGH 1 group (temperature adjusting group head
14 - 15	TAGH 2 groups (temperature adjusting group head
16 - 17	Valve block
18 - 19	Pump assembly
20 - 21	Hot water valve assembly
22 - 23	Steam valve assemblu

Boiler / hydraulic parts



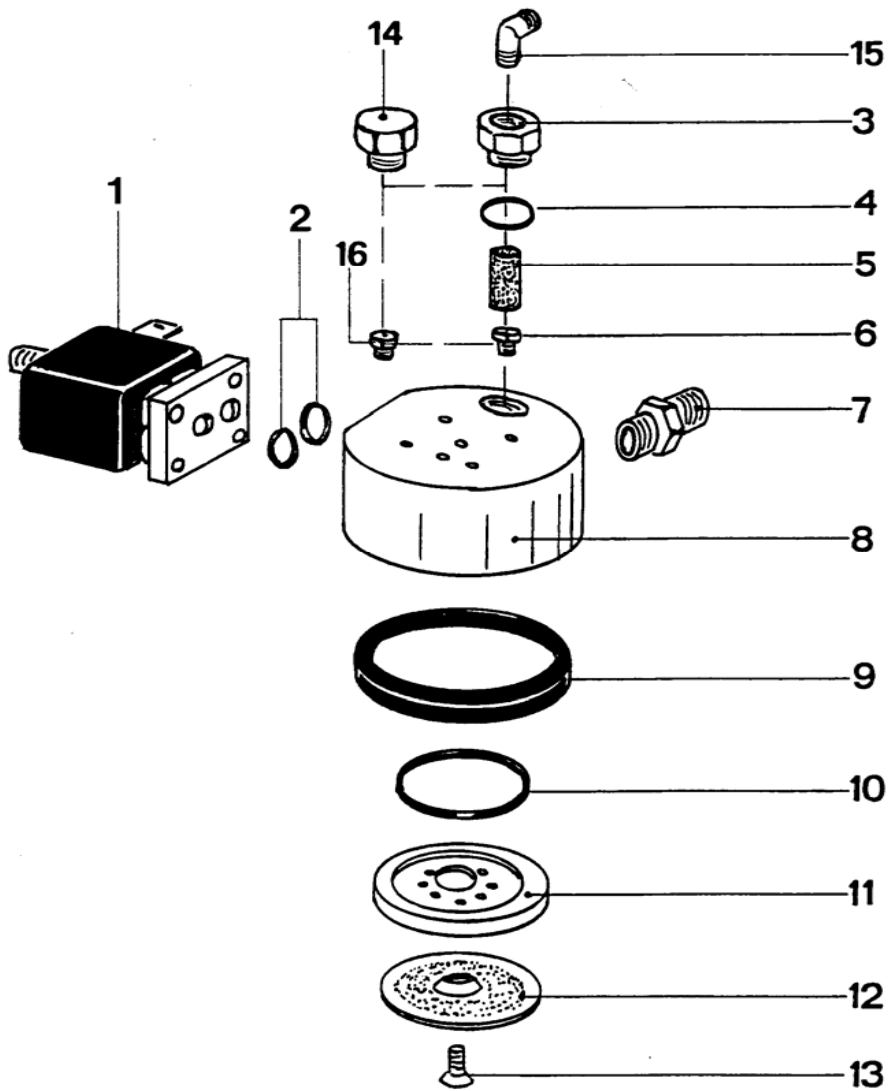
Boiler / hydraulic parts

Pos.	Code	Description
1	C277700505	Boiler 2 groups
2	C277700504	Boiler 1 group
3	C299900758	Pressure gauge
4	C279900668	Pipe
5	C229900674	Connector 1/4"x 1/8"
6	C279900867	Right side steam wand
7	C229900569	Plug 1/4" level control probe
8	C199900295	Level control probe
9	C229900559	Safety valve
10	C439900778	Drain tray
11	C219900560	Breaker valve
12	C200002066	Left side steam wand (from serial n. 200209...)
13	C279900866	Left side steam wand (till serial n. 200208...)
14	C199900366	Thermo cut off switch UL
15	C279900868	Boiler fill pipe 2 group machine
16	C229900534	L-Connector 1/4"
17	C149900218	Cover
18	C319900123	Screw M8
19	C399900152	Flexible washer diam 8
20	C309900158	Plane washer diam 8
21	C199900513	Heating element V. 230 3000 W
21	C199900175	Heating element V 230 4000 W
21	C199900890	Heating element V 230 5000 W
22	C469900779	Gasket
23	C279900636	Pipe
24	C277700666	Connector

Boiler / hydraulic parts

Pos.	Code	Description
25	C279900872	Pipe
26	C229900528	Connector
27	C199900279	Pressure switch UL Sirai
28	C229900533	Injector
29	C229900532	Connector
30	C229900236	Connector 1/2" x 1/4" F
31	C279900871	Pipe
32	C199900512	Heating element V 230 2200 W
33	C279900887	Pipe boiler filling 1 group machine

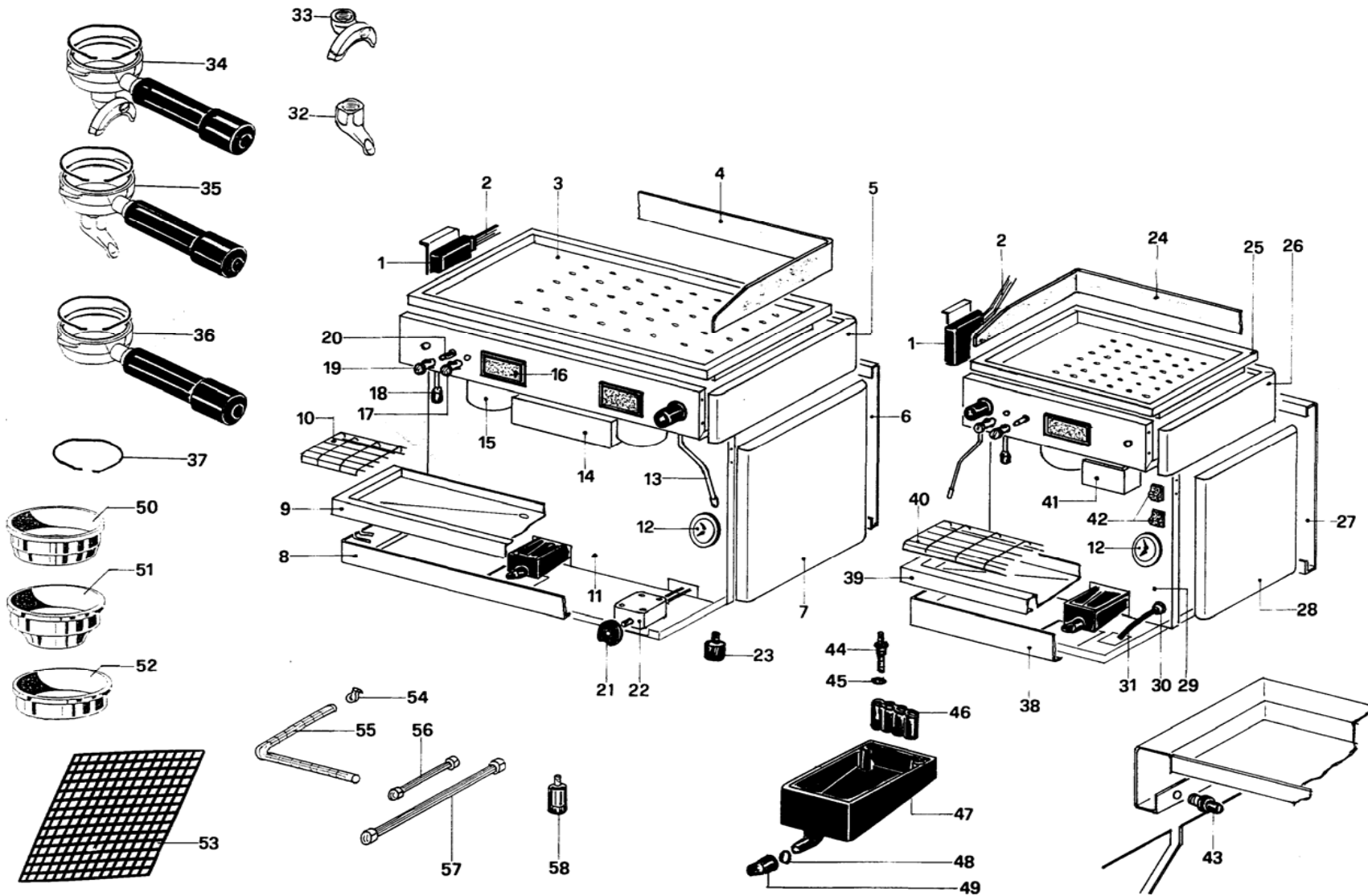
Group



Group

Pos.	Code	Description
1	C100001976	3way solenoid valve V. 208-220/60
2	C449900786	Gasket OR 2025 Viton
3	C220001562	Gigleur cover TAGH
4	C449900232	Gasket gigleur 3/8"
5	C619900554	Gigleur filter
6	C200002805	Gigleur diam 1,2 TAGH
7	C229901064	Connector
8	C229900851	Left side group
8	C229900850	Right side group
9	C449900229	Group gasket
10	C449900790	Gasket OR 3187
11	C529900550	Shower support
12	C519900102	Shower screen
13	C319900134	Screw M 5 x 12
14	C229901259	Gigleur cover
15	C229900579	L-Connector 1/8"
16	C229900549	Gigleur 0,8

Bodywork and electrics



Bodywork and electrics

Pos.	Code	Description
1	C100002807	Control box V 230/50-60 (from 200209...)
2	C199900269	Flat cable L 800 mm
2	C199900270	Flat cable L 1.000 mm
3	C009900448	Cups support 2 group machine
4	C639900456	Cups frame 2 group machine
5	C000101592	Support (burgundy) 2 group machine
5	C000501592	Support (glossy black) 2 group machine
5	C000201592	Support (grey) 2 group machine
5	C007701592	Support (stainless steel) 2 group machine
6	C001301593	Rear panel (burgundy) 2 group machine
6	C001101593	Rear panel (glossy black) 2 group machine
6	C001201593	Rear panel (grey) 2 group machine
6	C000701593	Rear panel (stainless steel) 2 group machine
7	C000301594	Side panel burgundy
7	C000501594	Side panel glossy black
7	C000201594	Side panel grey
7	C000701594	Side panel stainless steel
8	C000300452	Support burgundy
8	C000500452	Support glossy black
8	C000200452	Support grey
8	C000700452	Support stainless steel
9	D019800438	Drain tray
10	C019900433	Grid
11	C019800450	Front panel
12	C299900758	Pressure gauge
13		Steam wand (see separate sheet)
14	C019900454	Cover
15		Group (see separate sheet)
16	C199900241	Touchpad (automatic)
17	C100002800	Red lamp cover

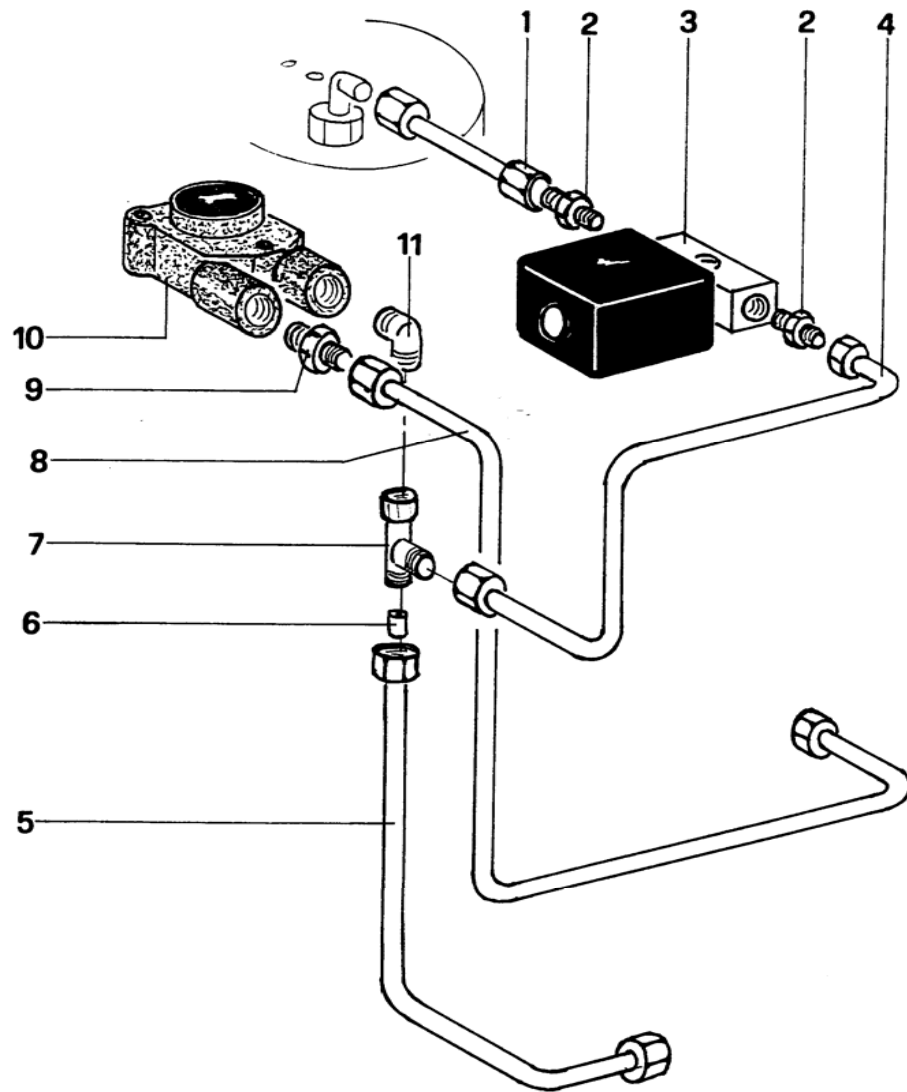
Bodywork and electrics

Pos.	Code	Description
18		Hot water wand (see separate sheet)
19	C100002799	Green lamp cover
20	C100002801	Lamp V 230
21	C419900718	On/off handle
22	C199900689	Main switch box UL 2 gr machine V 230/60
23	C449900752	Foot
24	C639900457	Cups frame 1 group machine
25	C009900449	Cups support 1 group machine
26	C000301590	Support (burgundy) 1 group machine
26	C000101590	Support (glossy black) 1 group machine
26	C000201590	Support (grey) 1 group machine
26	C000701590	Support (stainless steel) 1 group machine
27	C001301591	Rear panel (burgundy) 1 group machine
27	C001101591	Rear panel (glossy black) 1 group machine
27	C001201591	Rear panel (grey) 1 group machine
27	C000701591	Rear panel (stainless steel) 1 group machine
28	C000301594	Side panel burgundy
28	C000501594	Side panel glossy black
28	C000201594	Side panel grey
28	C000701594	Side panel stainless steel
29	C019800451	Front panel
30	C400000820	Cable presser
31	C199900949	Cord UL
32	C229900562	1 cup spout
33	C229900566	2 cups spout
34	C699901066	2 cup filter holder
35	C699901065	1 cup filter holder
36	C229900667	Filter holder
37	C619900098	Spring
38	C000300453	Support burgundy

Bodywork and electrics

Pos.	Code	Description
38	C000100453	Support glossy black
38	C000200453	Support grey
38	C000700453	Support stainless steel
39	D019800435	Drip tray 1 group machine
40	C019900432	Grid 1 group machine
41	C019900455	Cover
42	C199900991	Switch V 230/50
43	C539900460	Pin
44	C439900971	Nozzle
45	C449900702	Gasket OR 2031
46	C439900972	Pipe
47	C439900970	Drain tray 1 group machine
48	C449901447	Gasket OR 112
49	C400001738	Connector
50	C619900105	Metal filter 14 g
51	C619900104	Metal filter 7 g
52	C619900106	Blind filter
53	C639900809	Plastic grid
54	C439901114	Fixing device
55	C639900766	Drain pipe
56	C219900598	Pipe L 500 mm
57	C219900597	Pipe L 1500 mm
58	C600001920	Foot H 130 mm USA

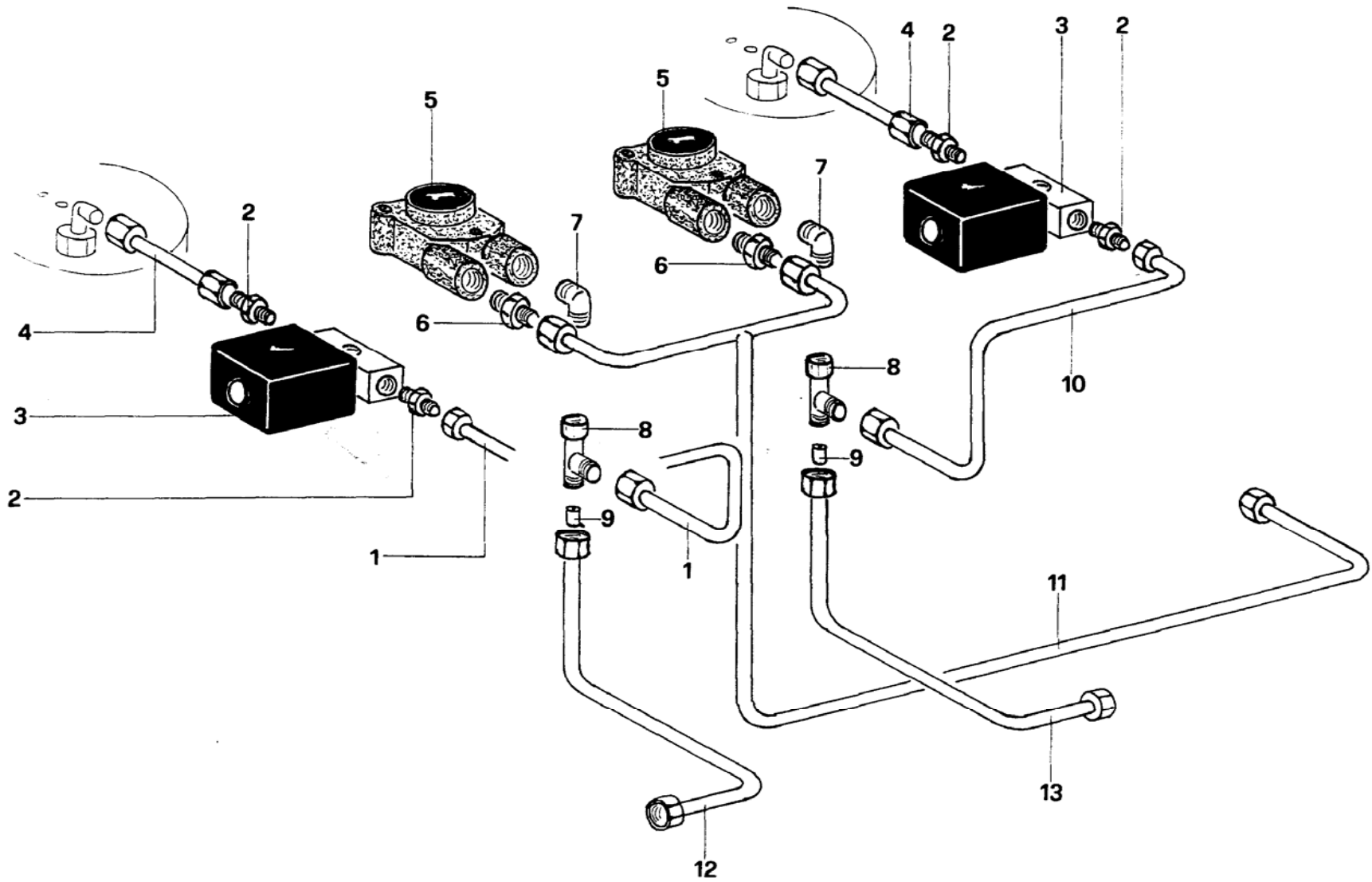
TAGH - 1 group machine



TAGH - 1 group machine

Pos.	Code	Description
1	C279901108	Pipe from solenoid valve to group
2	C229900518	Connector 1/8"
3	C100002793	Solenoid valve V 208-240/60 UL
4	C200001682	Pipe from solenoid valve to left side flowmeter
5	C279900874	Pipe from flowmeter to heat exchanger
6	C229901609	Restrictor diam 2 TAGH
7	C229900528	T-Connector 1/4"
8	C279900888	Pipe
9	C229900520	Connector 1/4"
10	C199900299	Flowmeter
11	C229900534	L-Connector 1/4"

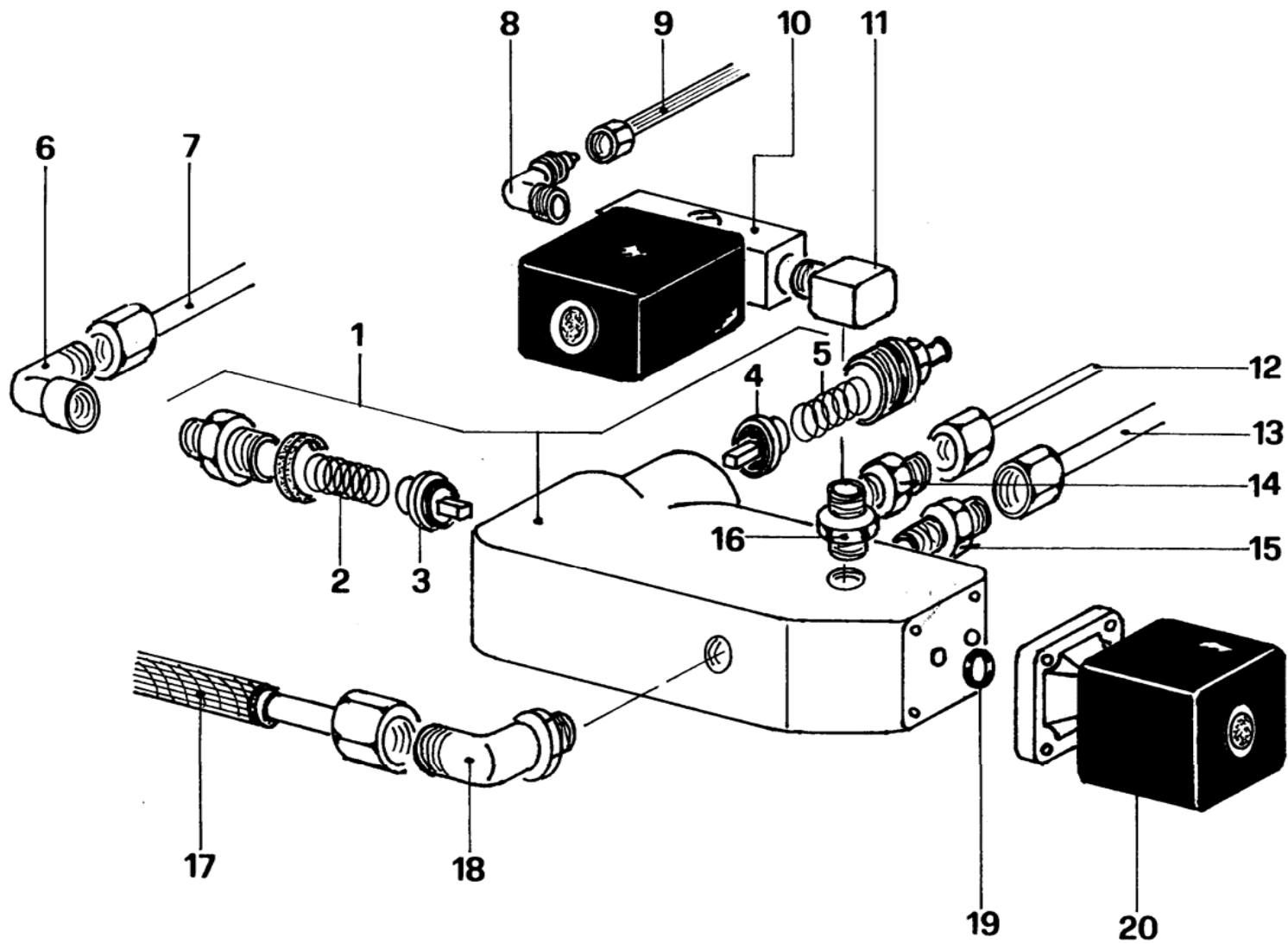
TAGH - 2 group machine



TAGH - 2 group machine

Pos.	Code	Description
1	C200001681	Pipe from solenoid valve to right side flowmeter
2	C229900518	Connector 1/8"
3	C100002793	Solenoid valve V. 208-240/60 UL
4	C279901108	Pipe from solenoid valve to group
5	C199900299	Flowmeter
6	C229900520	Connector 1/4"
7	C229900534	L-Connector 1/4"
8	C229900528	T-Connector 1/4"
9	C229901609	Restrictor TAGH 2 mm
10	C200001682	Pipe from solenoid valve to left side flowmeter
11	C279900875	Pipe from valve block to flowmeter
12	C279900873	Pipe flowmeter to right site heat exchanger
13	C279900874	Pipe flowmeter to left side heat exchanger

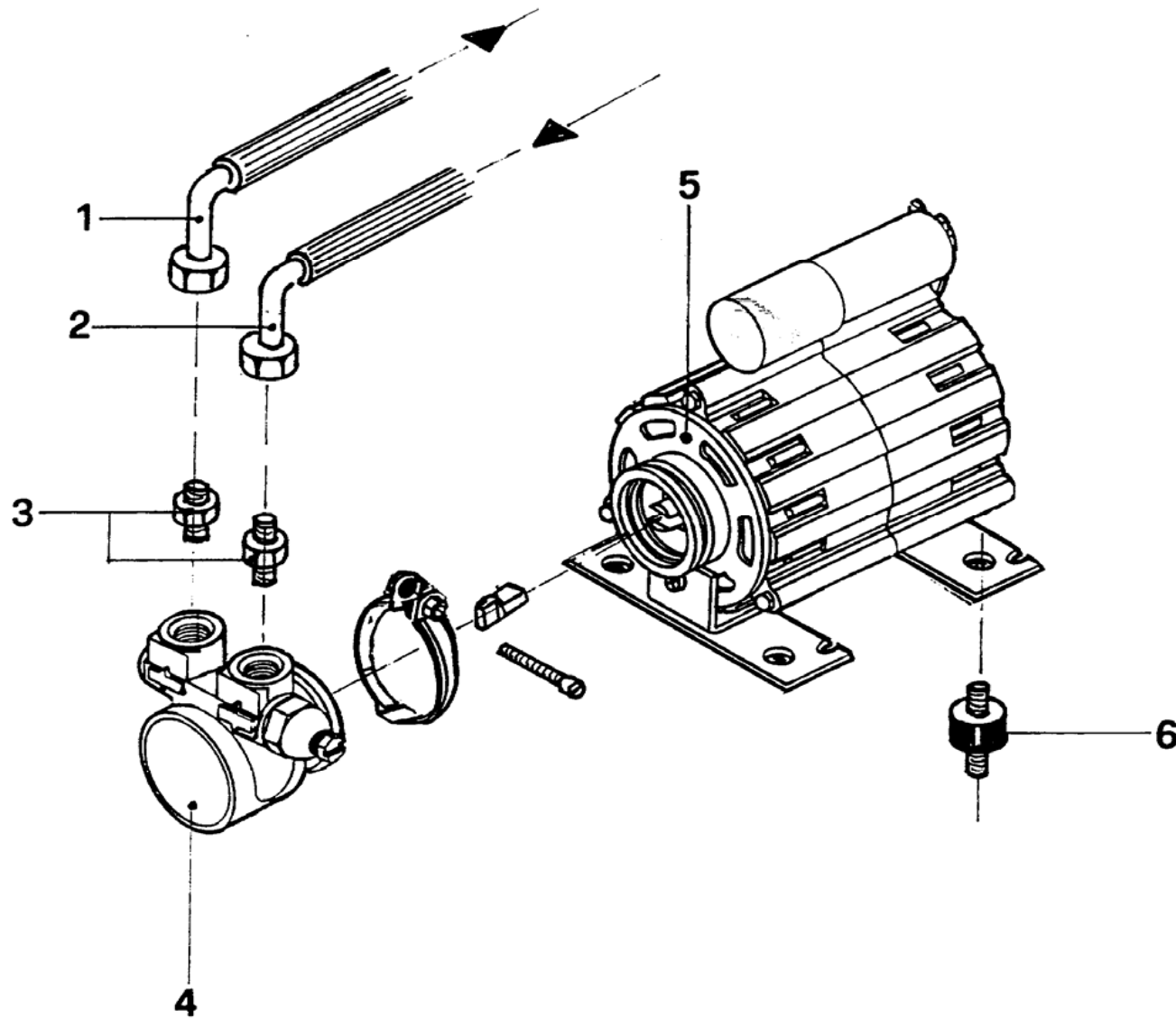
Valve block



Valve block

Pos.	Code	Description
1	C227700665	Valve block
2	C019900101	Spring of retention valve
3	C229900370	Retention valve
4	C229900541	Expansion valve
5	C019900100	Spring of expansion valve
6	C229900595	L-Connector 1/4"
7	C279900875	Pipe from valve block to flowmeter (2 gr. machine)
7	C279900888	Pipe from valve block to flowmeter (1 gr. machine)
8	C229900706	L - Connector 1/8"
9	C269900300	Teflon pipe 4 x 6
10	C100002793	Solenoid valve tempering valve V 208-220/60 UL
11	C229901070	Connector 1/8"
12	C200001712	Pipe from pressure gauge to pump
13	C279900868	Boiler fill pipe2 group machine
13	C279900887	Boiler fill pipe 1 group machine
14	C229900674	Connector1/4"-1/8"
15	C229900520	Connector 1/4"
16	C229900518	Connector 1/8"
17	C619900469	Pipe from pump to valve block
18	C229900527	L-Connector 1/4" x 3/8"
19	C449900786	Gasket OR 2025 Viton
20	C100002806	Solenoid valve V 208-220/60 UL ODE
20	C100002794	Solenoid valve V 220-240/60 UL Parker

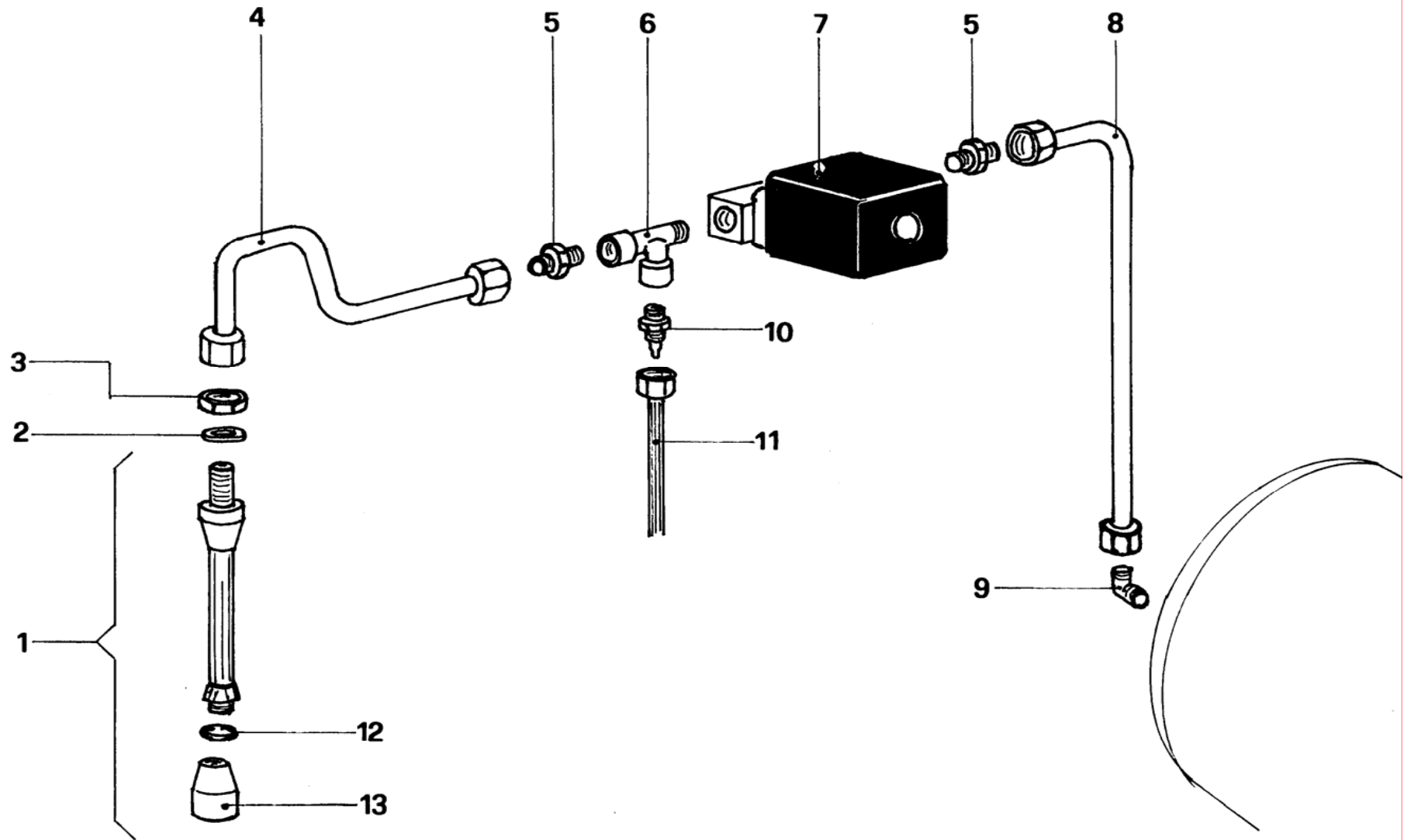
Pump - Pumpe - Pompa



Pump - Pumpe - Pompa

Pos.	Code	Description
1	C619900469	Pipe from pump to valve block
2	C619900468	Pump connection pipe
3	C229900523	Connector 3/8"
4	C199900350	Pump connection pipe
5	C199900248	Motor W 100 V. 220/60 UL
6	C449900753	Shock absorber

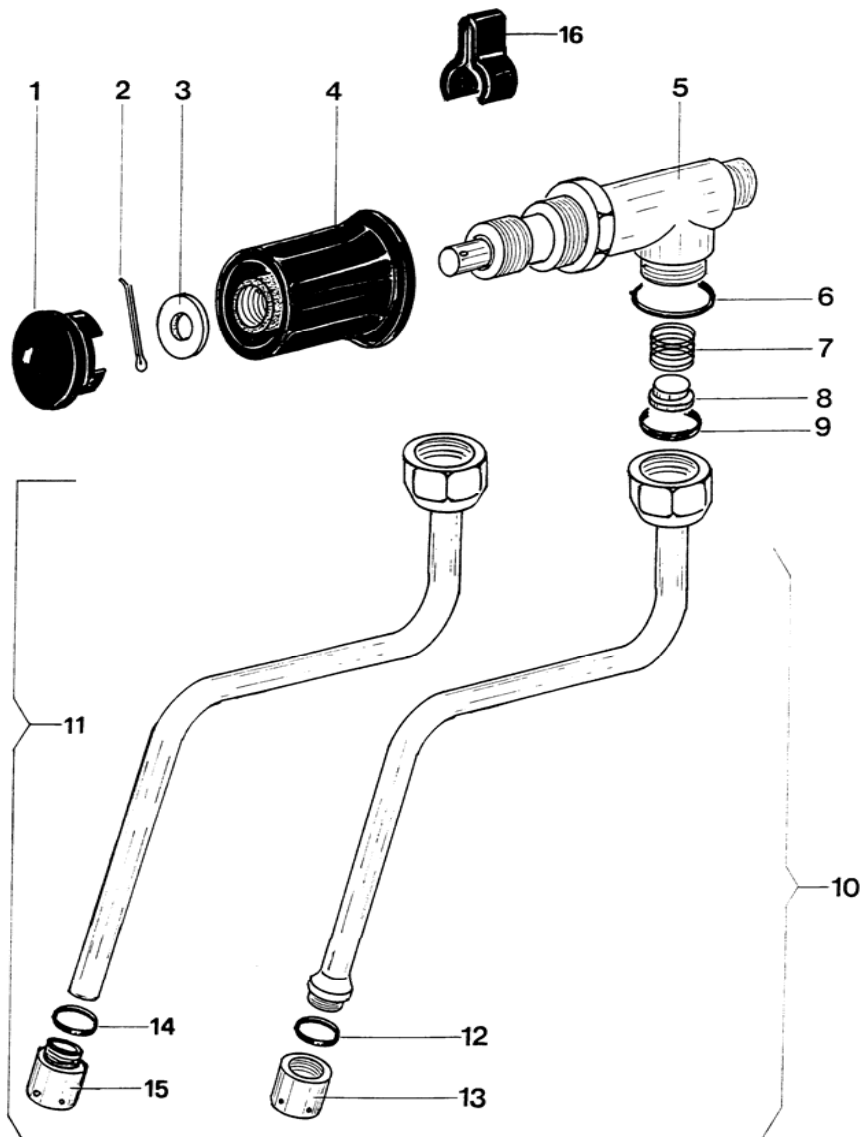
Hot water valve - Heisswasserarmatur - Valvola acqua calda



Hot water valve - Heisswasserarmatur - Valvola acqua calda

Pos.	Code	Description
1	C227700459	Hot water wand
2	C319901079	Washer 1/4" stainless
3	C329900682	Nut 1/4"
4	C279900870	Pipe
5	C229900520	Connector 1/4"
6	C229900580	T-Connector 1/4"
7	C100002808	Solenoid valve V 208-220/60 UL ODE
7	C100002792	Solenoid valve V 208-240/60 Parker
8	C279900869	Pipe
9	C229900534	L-Connector 1/4"
10	C200001851	Connector 1/4"
11	C269900300	Teflon pipe 6 x 4
12	C469900403	Gasket
13	C227700536	Nozzle

Steam valve



Steam valve

Pos.	Code	Description
1	C439900800	Cover
2	C439900371	Needle diam 2 mm
3	C229900192	Washer
4	C439900799	Handle
5	C229900806	Valve
6	C449900232	Gasket 3/8"
7	C219901127	Spring H 22
8	C229900968	Support
9	C449900191	OR gasket
10	C277700907	Steam wand (brass)
11	C200002024	Steam wand (stainless steel)
12	C469900403	Teflon gasket
13	C229900538	4 hole nozzle
14	C400002022	Or gasket
15	C200002021	Nozzle (stainless steel)
16	C439901078	Clip