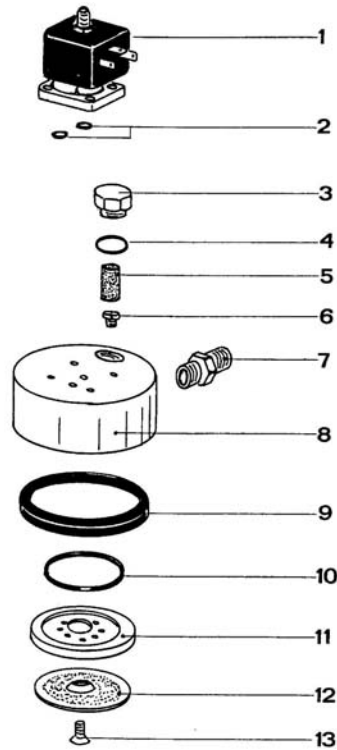
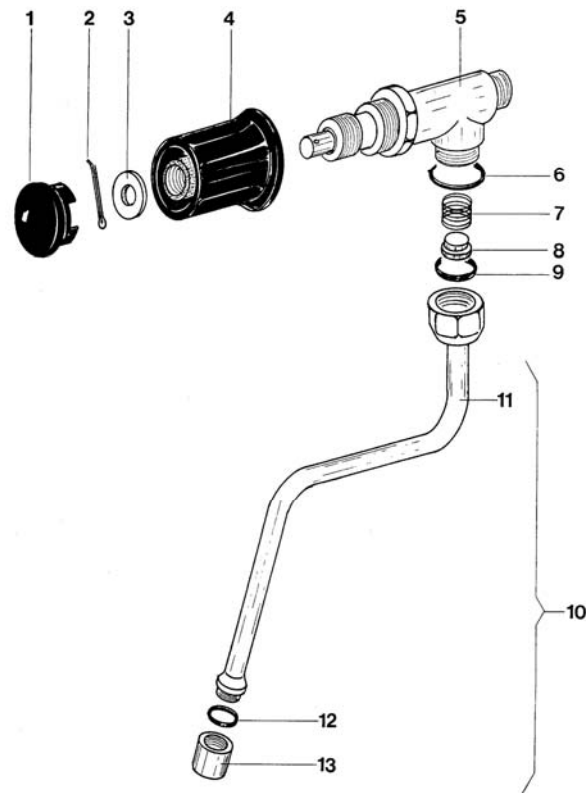


Group



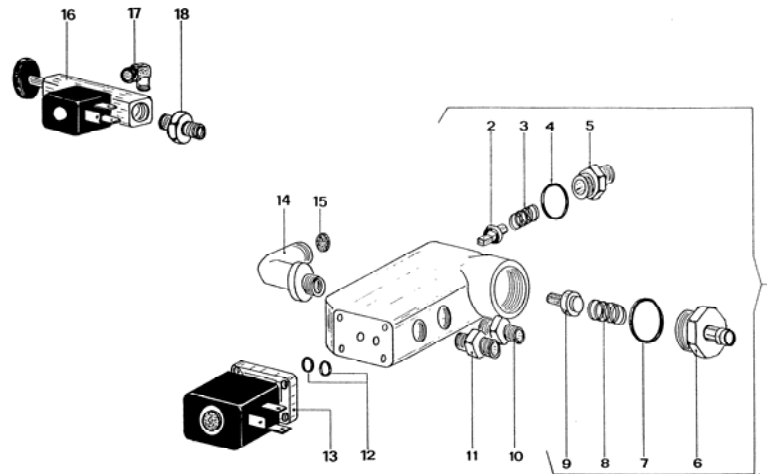
Pos.	Code	Description
1	C199900260	Solenoid valve V.230/50-60
1	C199900261	Solenoid valve, V. 115/60
2	C449900786	O-Ring
3	C229900553	Nut
4	C449900079	O-Ring
5	C619900554	Metal filter
6	C229900549	Gicleur
7	C229900674	Nipples
8	C229900547	Group body
9	C449900229	Filter holder gasket
10	C449900790	Shower gasket
12	C519900102	Shower
13	C319900134	Screw

Steam valve



Pos.	Code	Description
1	C439900800	Plastic cover
2	C439900371	Needle
3	C229900192	Plate
4	C439900799	Plastic handle
5	C229900806	Valve body
6	C449900232	Gasket
7	C219901127	Spring
8	C229900968	Support
9	C449900191	O-Ring
10	C279900609	Steam wand with pos. 12 and 13
11	C277700609	Steam wand
12	C469900403	Gasket
13	C229900537	Nozzle

Valve block

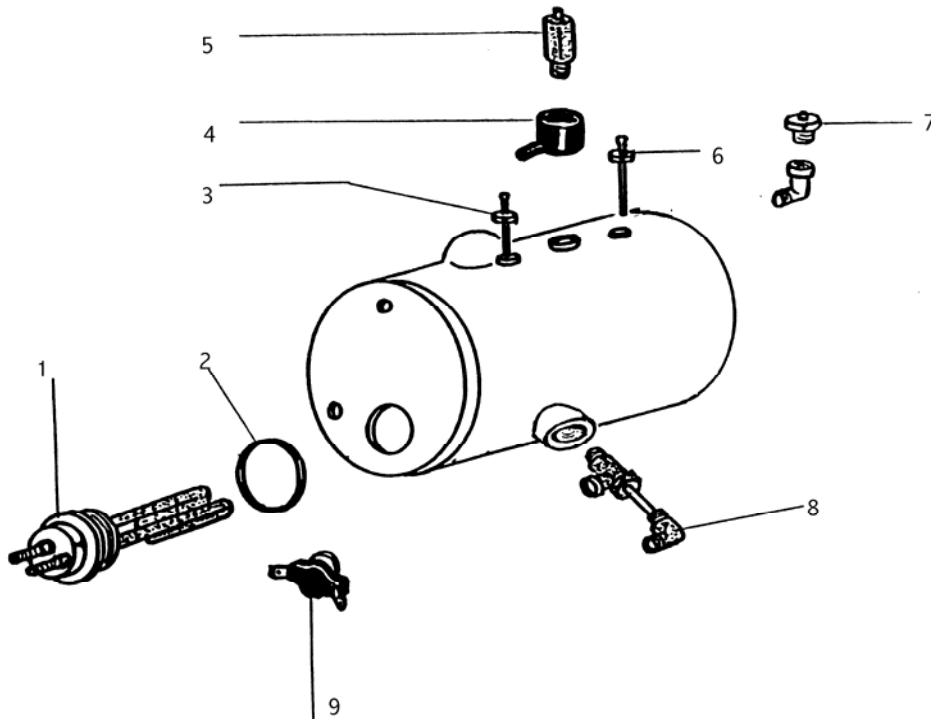


Pos.	Code	Description
1	C227700665	Body + 2,3,4,5,6,7,8,9
2	C229900370	Non return valve
3	C019900101	Spring
4	C469900789	Gasket
5	C229900545	Nipples 1/4"
6	C229900923	Nut
7	C469900429	Gasket
8	C019900100	Spring
9	C229900541	Expansion valve
10	C229900674	Nipples 1/4" - 1/8"
11	C229900520	Nipples 1/4" - 1/4"
12	C449900786	O-Ring
13	C199900258	Solenoid valve V. 230/50-60
13	C199900093	Solenoid valve V. 115/60
14	C229900527	Connector
15	C519900369	Connector
16	C199900975	Cold water mixing electromechanical valve
17	C229900579	Connector
18	C229900518	Nipples

Other components

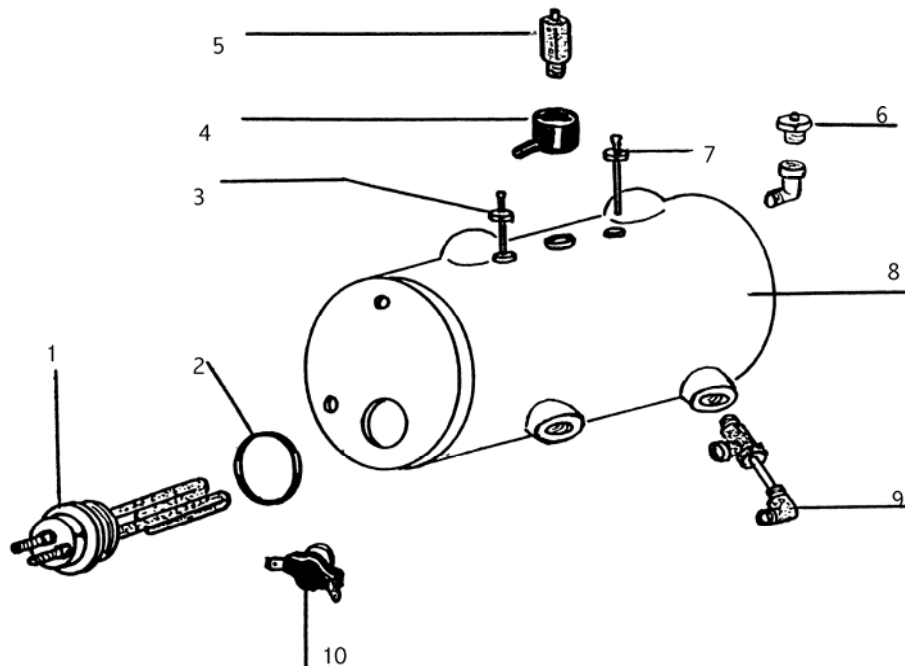
Pos.	Code	Description
		Electric and electronic components
	C199900278	Pressure switch
	C199900279	Pressure switch UL
	C199900309	Electronic control board 1 Gr. V. 115, automatic
	C199900296	Electronic control board 1 Gr. V. 230, automatic
	C199900297	Electronic control board 2 Gr. V. 230, automatic
	C199900330	Electronic control board 1 Gr. V. 115, semiautomatic
	C199900287	Electronic control board 1 Gr. V. 230, semiautomatic
	C199900288	Electronic control board 2 Gr. V. 230, semiautomatic
		From serial number 9905...(first 4 digits) all machines come with unified control board:
	C199900298	For machines with automatic portion control
	C199901067	For machines with semiautomatic portion control
	C199900293	Touch panel for automatic machines
	C199901214	Touch panel for semiautomatic machines
	C199900807	Main switch
	C419900718	Plastic wheel (0-1-2) for main switch (R2)
	C199900705	On/off switch for one group machine (same for heater)
	C199900299	Flowmeter
		Pressure gauges
	C299900757	Boiler pressure gauge
	C299900756	Pump pressure gauge
		Filter holder
	C229900667	Filter holder with plastic handle (without spring + spout)
	C229900562	1 cup spout
	C229900566	2 cups spout
	C619900098	Retention spring for metal filter basket
	C619900669	6 g metal filter basket
	C629900670	12 g metal filter basket
	C619900104	7 g metal filter basket
	C619900105	14 g metal filter basket
		Hot water
	C199900256	Solenoid valve V.230/50-60 2,5mm
	C129900576	Solenoid valve V. 115/60 2,5 mm
	C227700459	Hot water pipe with nozzle
		Pump
	C199900350	Pump
	C199900284	Pump motor 1 Gr. V.230-50Hz
	C199900285	Pump motor 1 Gr. V.115/60 Hz
	C199900248	Pump motor 1 Gr. V.230-60Hz
	C449900753	Pump vibration shock absorber
	C619900173	Flexible connection pipe 350 mm

Boiler
One group



Pos.	Code	Description
1	C199900253	Heating element V. 230/50 Watt 2100
1	C199900252	Heating element V. 115/60 Watt 1600
1	C199900932	Heating element V. 115/60 Watt 1200
2	C469900780	Heating element gasket
3	C199900214	Safety water level probe
4	C439900778	Plastic drain tray
5	C229900459	Safety valve
6	C199900295	Water level probe
7	C219900560	Vacuum breaker valve
8	C229900739	Injection pipe
9	C199900366	Thermo cut-off switch
10	C277700501	Boiler

Boiler
Two groups



Pos.	Code	Description
1	C199900255	Heating element V. 230
2	C469900780	Heating element gasket
3	C199900214	Safety water level probe
4	C439900778	Plastic drain tray
5	C229900459	Safety valve
6	C219900560	Vacuum breaker valve
7	C199900295	Water level probe
8	C277700503	Boiler
9	C229900739	Injection pipe
10	C199900366	Thermo cut-off switch