

**Michelangelo**

**Spare parts catalogue**

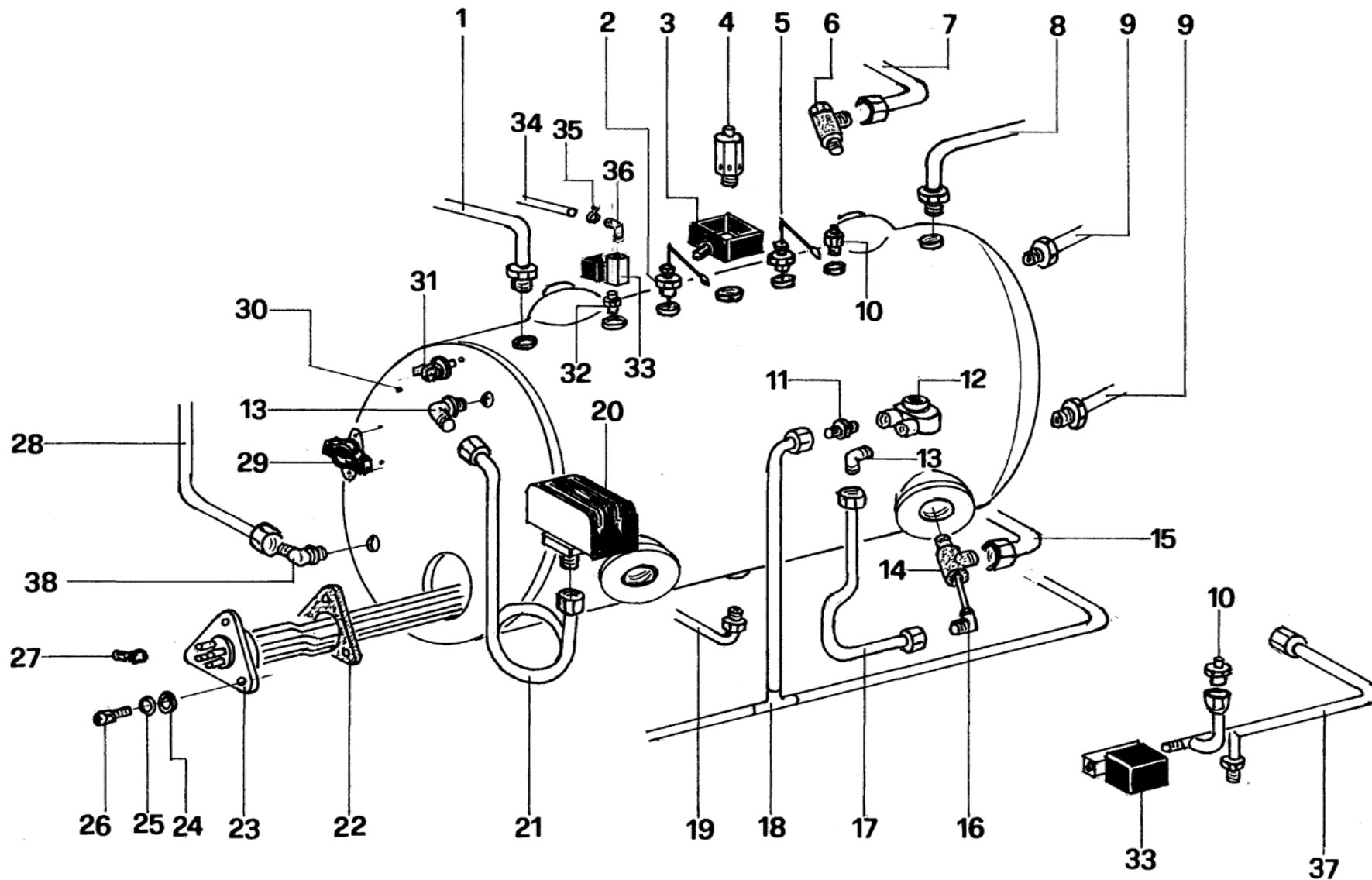
October 30, 2002

Summary

Page

<b>3 - 5</b>	Boiler-hydraulics
<b>6 - 7</b>	TAGH 1-2-3 and 4 groups (temperature adjusting group head)
<b>8 - 9</b>	Level control - sight glass assembly
<b>10 - 11</b>	Valve block / tempering valve
<b>12 - 13</b>	Electrics
<b>14 - 15</b>	Group
<b>16 - 17</b>	Pump assembly
<b>18 - 19</b>	Steam valve assembly
<b>20 - 21</b>	Hot water valve assembly
<b>22 - 25</b>	Bodywork
<b>26 - 27</b>	Accessories
<b>28 - 29</b>	Drain tray area

Boiler / hydraulic parts



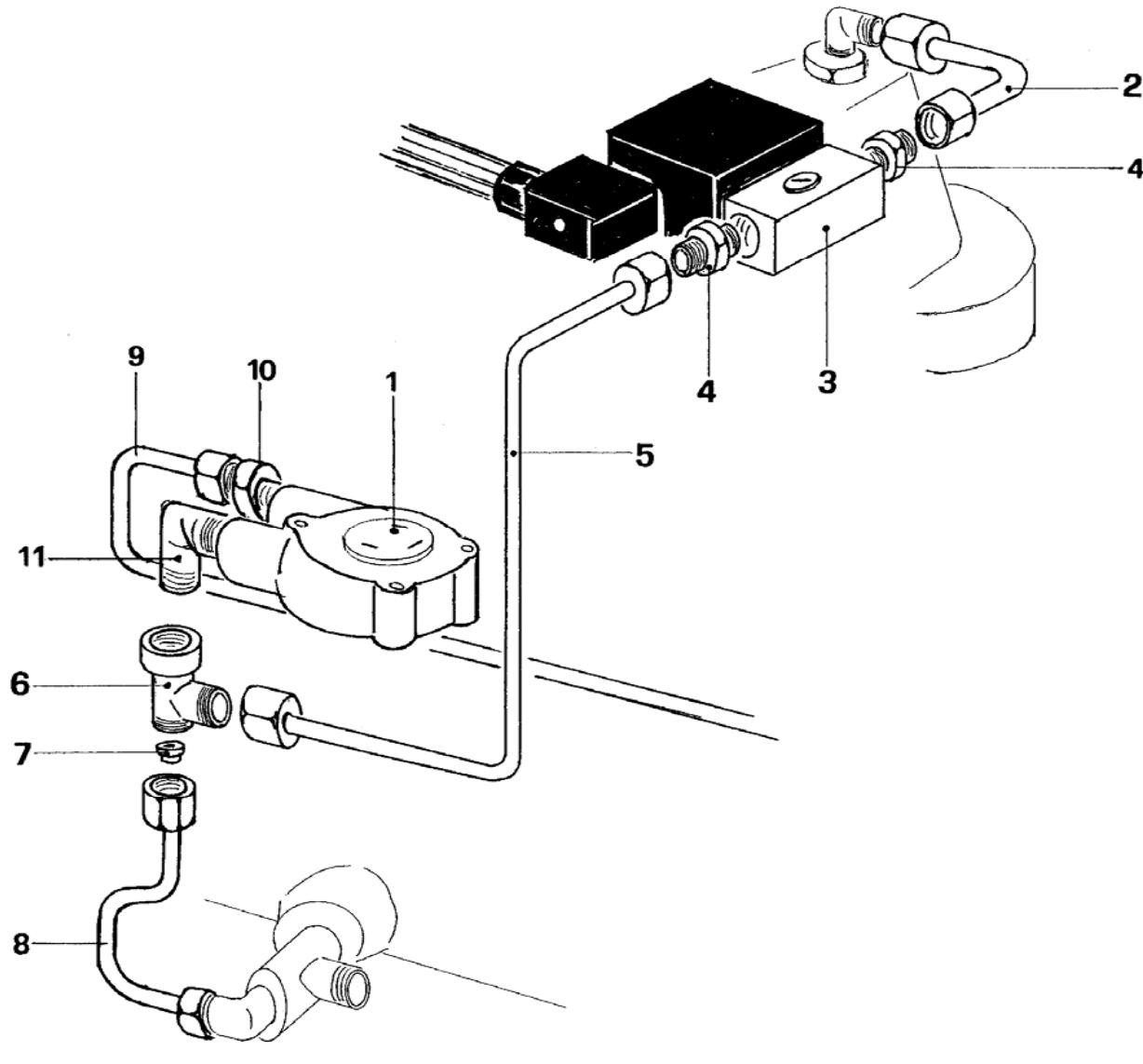
**Boiler / hydraulic parts**

Pos.	Code	Description
1	C279900867	Right side steam pipe
2	C199900295	Safety boiler level probe
3	C439900778	Tray
4	C229900559	Safety valve
5	C199900295	Boiler level control probe
6	C229900531	Connector
7	C279900634	Pipe
8	C200002066	Left side steam pipe
9	C279900661	Level pipe 2-3 e 4 gr.
9	C279900684	Level pipe 1 gr.
10	C219900560	Vacuum breaker valve
11	C229900520	Connector 1/4"
12	C199900299	Flow meter
13	C229900534	L connector 1/4" M
14	C229900532	Connector
15	C279900635	Pipe
16	C229900533	Injection pipe
17	C279900641	Pipe flow meter to heat exchanger
18	C279900660	Pipe to heat exchanger group 1
18	C279900631	Pipe to heat exchanger group 2
18	C279900632	Pipe to heat exchanger group 4
18	C279900633	Pipe to heat exchanger group 4
19	C200001739	Boiler drain pipe
20	C199900279	Pressure switch UL Sirai
20	C100002810	Pressure switch UL Parker
21	C279900636	Pipe pressure switch
22	C469900779	Gasket heating element

**Boiler / hydraulic parts**

<b>Pos.</b>	<b>Code</b>	<b>Description</b>
23	C199900512	Heating element W 2200 V. 230 1 gr.
23	C199900513	Heating element W 3000 V. 230 2 gr.
23	C199900175	Heating element W 4000 V. 230 2 gr.
23	C199900890	Heating element W 5000 V. 230 2 gr.
23	C199900515	Heating element W 4000 V 230 3 gr.
23	C199900176	Heating element W 5000 V 230 3 gr.
23	C199900891	Heating element W 6000 V 230 3 gr.
23	C199900516	Heating element W 5000 V 230 4 gr.
23	C100001686	Heating element W 4000 V 200 2 gr.
23	C100002266	Heating element W 5000 V 200 3 gr.
24	C309900158	Flat washer diam 8 inox
25	C399900152	Elastic washer diam 8 inox
26	C319900123	Screw M 8 x 20 inox
27	C149900218	Heating element protection cover
28	C279900637	Drain pipe
29	C199900366	Thermo cut off switch UL (automatic)
30	C277700504	Boiler 1 gr.
30	C277700505	Boiler 2 gr.
30	C277700506	Boiler 3 gr.
30	C277700507	Boiler 4 gr.
31	C199900900	Thermostat DAVS
32	C229900674	Connector 1/4" x 1/8"
33	C100001972	Solenoid valve DAVS V 208-220/60 UL
34	C400001928	Silicone pipe 4 x 7
35	C199900935	Fixing element
36	C229901449	Connector 1/8"
37	C279900882	Left side steam pipe 1 gr.
38	C229900534	Connector

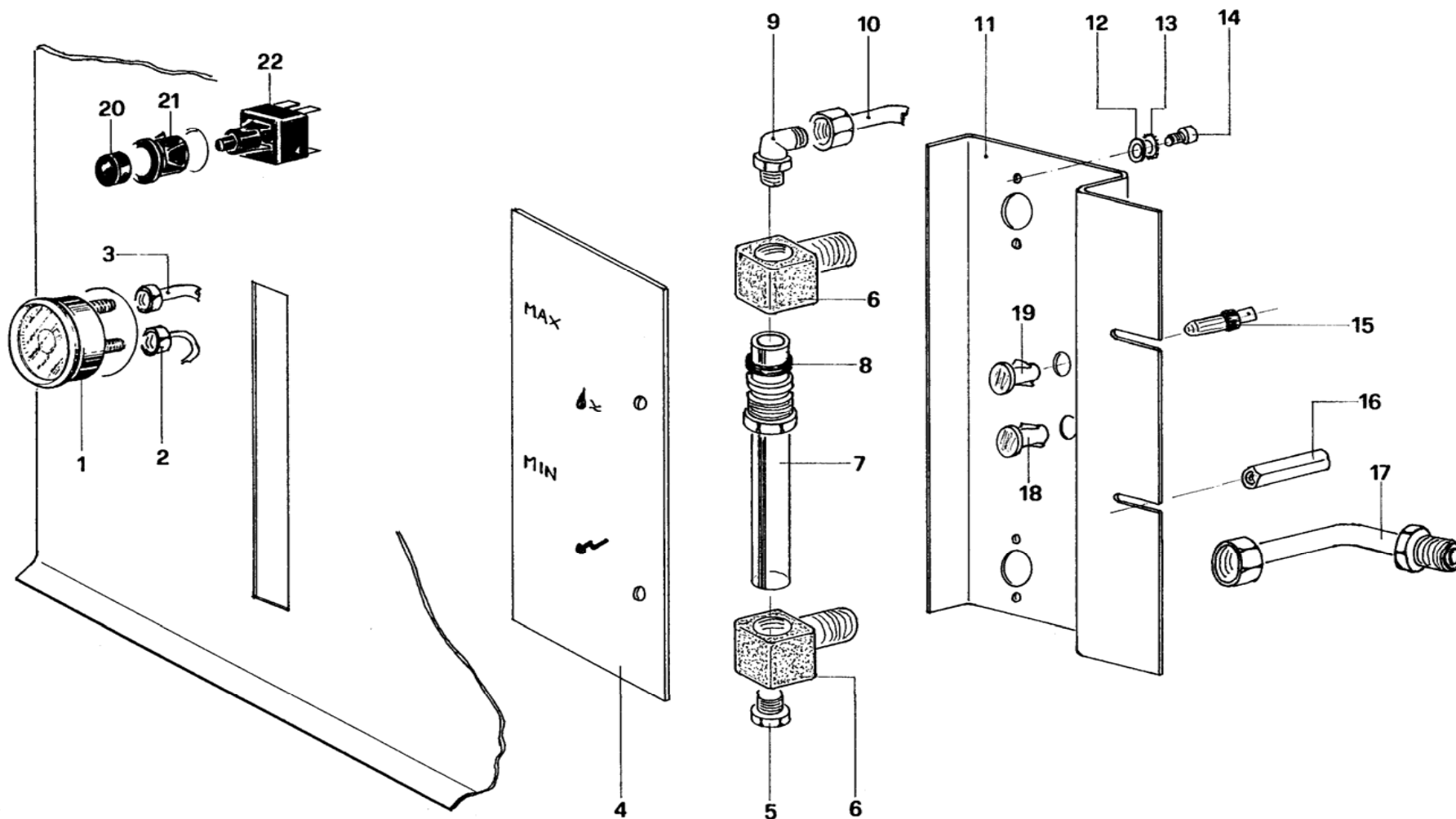
**TAGH (temperature adjusting group head) 1-2-3-4 groups**



**TAGH (temperature adjusting group head) 1-2-3-4 groups**

<b>Pos.</b>	<b>Code</b>	<b>Description</b>
1	C199900299	Flow meter
2	C279901109	Pipe from solenoid valve to group TAGH L 70 mm
3	C100002793	Solenoid valve water tempering valve V 208-220/60 UL
4	C229900518	Connector 1/8"
5	C200002822	Pipe from solenoid valve to flow meter TAGH
6	C229900528	T connector 1/4" MMF
7	C229901609	Restrictor diam 2
8	C279900641	Pipe from injector to flow meter
9	C279900660	Pipe to heat exchanger 1 gr.
9	C279900631	Pipe to heat exchanger 2 gr.
9	C279900632	Pipe to heat exchanger 3 gr.
9	C279900633	Pipe to heat exchanger 4 gr.
10	C229900520	Connector 1/4"
11	C229900534	L connector 1/4" M

Level control sight glass

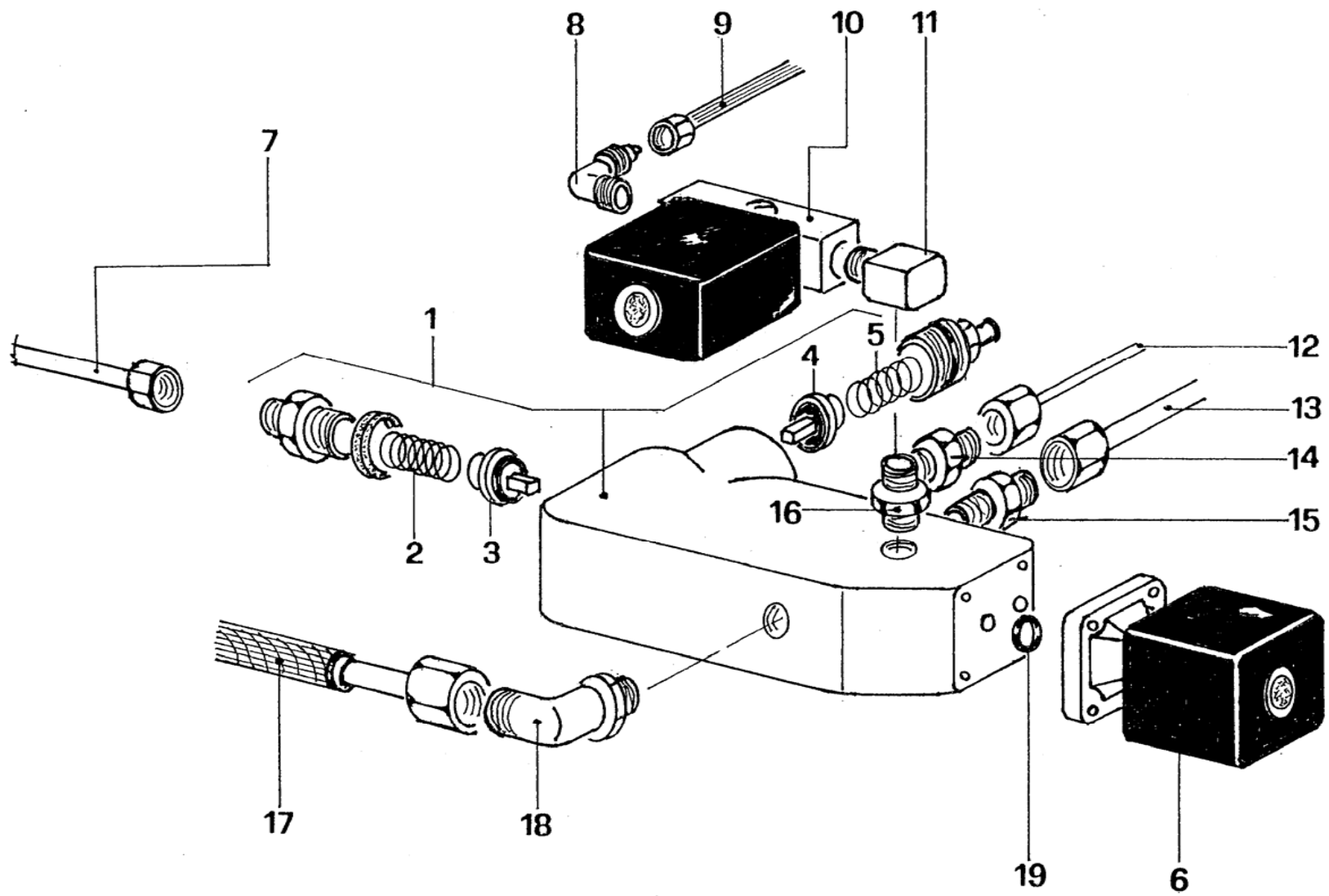




Level control sight glass

Pos.	Code	Description
1	C299900758	Pressure gauge
2	C200001712	Capillary pipe
3	C279900668	Pipe from pressure gauge to boiler
4	C439900008	Level sight glass protection
5	C229900569	Plug 1/4" M
6	C229900567	Block
7	C699900808	Sight glass
8	C449900719	OR sight glass
9	C229900534	L connector 1/4"
10	C279900642	Boiler fill pipe 2-3 and 4 group machines
	C279900678	Boiler fill pipe 1 group machines
11	C000400074	Support
12	C319900156	Washer diam 5
13	C300001906	Washer diam 5
14	C319900747	Screw M 5
15	C100002801	Lamp V 230
16	C529901239	Support
17	C279900684	Level pipe 1 gr.
17	C279900661	Level pipe 2-3 and 4 gr.
18	C100002799	Green lamp cover
19	C100002800	Red lamp cover
20	C199900750	Manual fill button

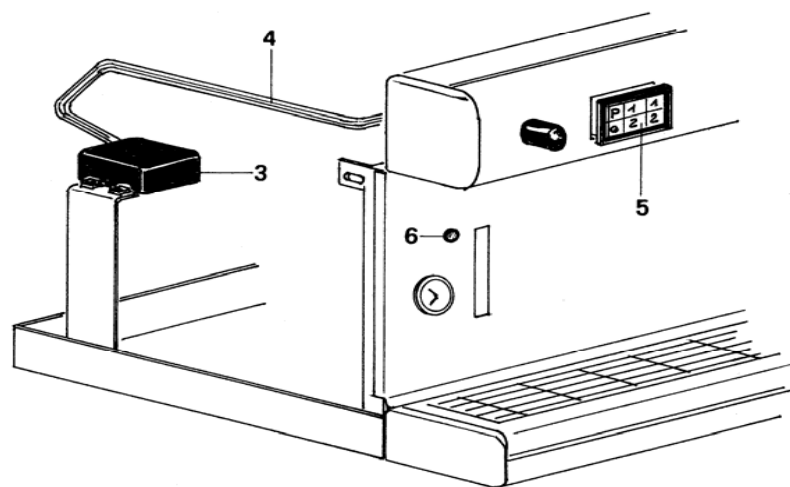
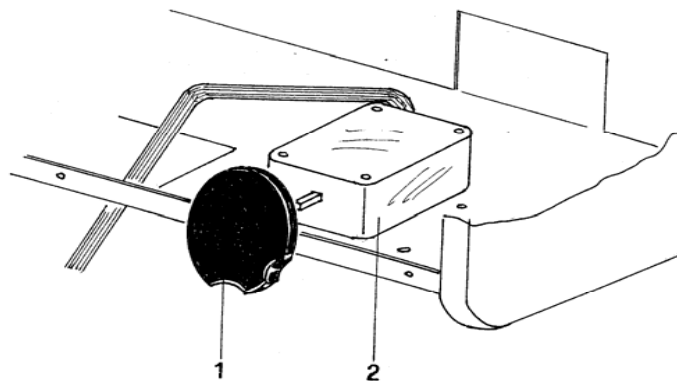
Valve block/tempering valve



Valve block/tempering valve

Pos.	Code	Description
1	C227700665	Valve block
2	C019900101	Spring non return valve
3	C229900370	Non return valve
4	C229900541	Expansion valve
5	C019900100	Spring expansion valve
6	C100002794	Solenoid valve boiler auto fill V 208-220/60 UL
7	C279900660	Pipe to heat exchanger 1 group machines
7	C279900631	Pipe to heat exchanger 2 group machines
7	C279900632	Pipe to heat exchanger 3 group machines
7	C279900633	Pipe to heat exchanger 4 group machines
8	C229900706	Connector
9	C269900300	Teflon pipe 6 x 4
10	C100002793	Solenoid valve water tempering valve V 208-220/60 UL
11	C229901070	Connector 1/8"
12	C200001712	Pump pipe
13	C279900678	Boiler fill pipe 1 gr.
13	C279900642	Boiler fill pipe 2-3-4 group machines
14	C229900674	Connector 1/4" x 1/8"
15	C229900520	Connector 1/4" x 1/8"
16	C229900518	Connector 1/8"
17	C619900173	Pipe
18	C229900527	L connector 1/4" x 3/8"
19	C449900786	OR 2024 Viton

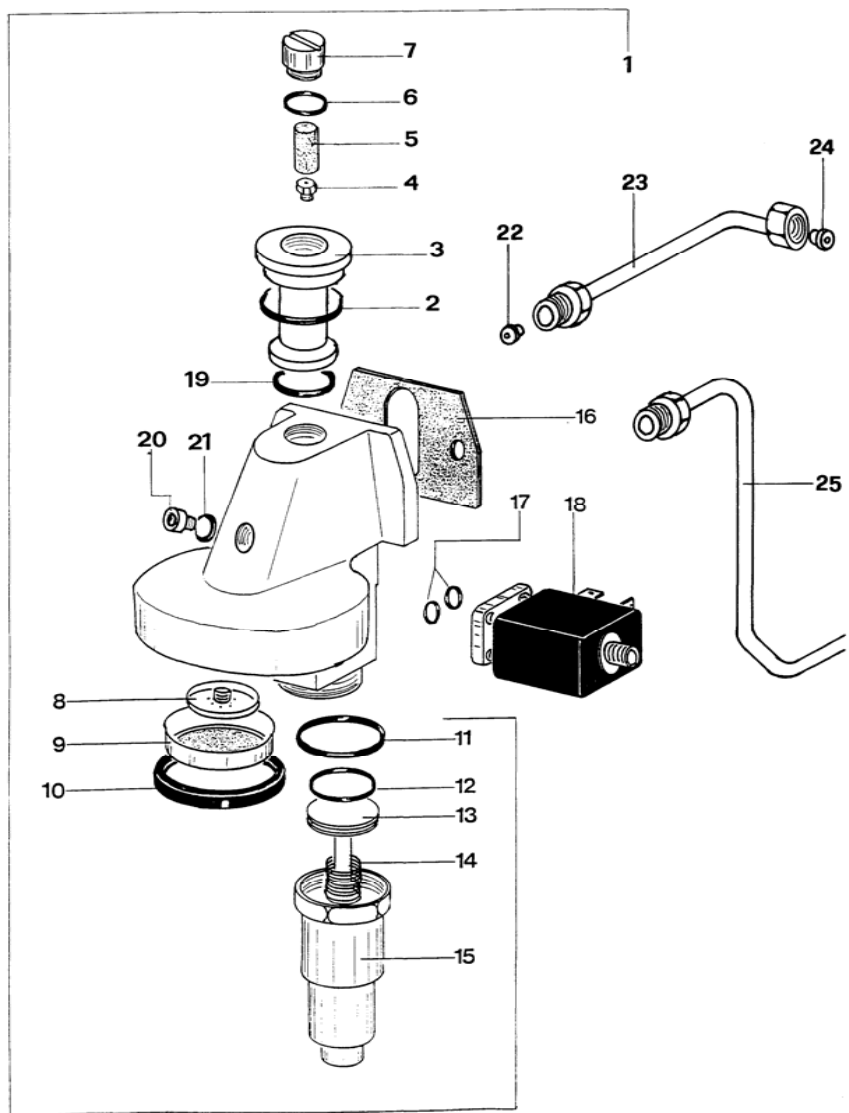
**Electrics**



**Electrics**

<b>Pos.</b>	<b>Code</b>	<b>Description</b>
1	C419900718	Handle
2	C199900689	Switch box UL 1 - 2 groups
2	C199901093	Switch box UL 3 - 4 groups
2	C199900688	Switch box UL V. 115
3	C199900298	Control board 3D5 V. 230/50-60
3	C100002807	Control board 3D5 Maestro V. 230/50-60
3	C199901067	Control board 3D5 semiautomatic V. 230/50-60
4	C199900269	Flat cable L. 800
4	C199900270	Flat cable L. 1.000
4	C199900271	Flat cable L. 1.200
5	C199900241	Automatic 6 key touchpad
5	C199901213	Semiautomatic 2 key touchpad
6	C199900750	Manual boiler fill button

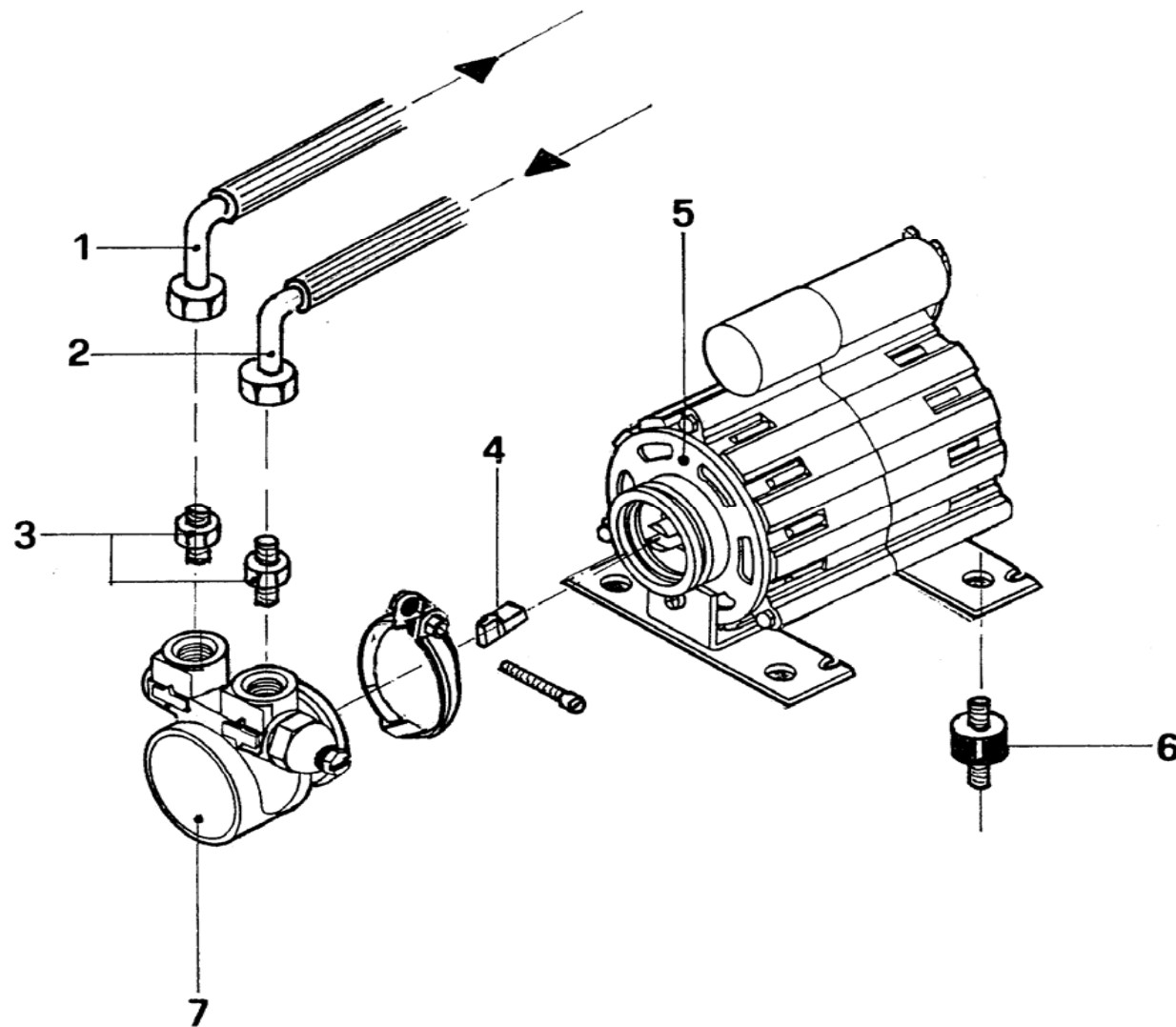
Group



**Group**

<b>Pos.</b>	<b>Code</b>	<b>Description</b>
1	C227700663	Left side group
1	C227700664	Right side group
2	C469900421	Teflon gasket
3	C229901133	Cylinder
4	C229900549	Gigleur 0,8
5	C619900554	Filter gigleur
6	C469900420	Teflon gasket 3/8"
7	R000002141	Gigleur plug
8	C229901228	Diffuser
9	C519900103	Shower screen
10	C449900229	Group gasket
11	C469900421	Teflon gasket
12	C449900785	OR 127
13	C229900555	Infusion piston
14	C019900093	Spring infusion piston
15	C229900557	Infusion cylinder
16	C449900767	Gasket
17	C449900786	OR 2025 Viton
18	C100002791	Group solenoid valve V 208-220/60 UL
19	C469900422	Gasket
20	C309900164	Screw M6 x 8 inox
21	C469901132	Teflon gasket
22	C229900687	Restrictor diam 3,5
23	C279900634	Pipe
24	C229900686	Restrictor diam 2,5
25	C279900635	Pipe
26	C200002805	Gigleur diam 1,2 for TAGH
27	C227701563	Gigleur plug for TAGH
28	C229900579	L connector 1/8" M

Pump

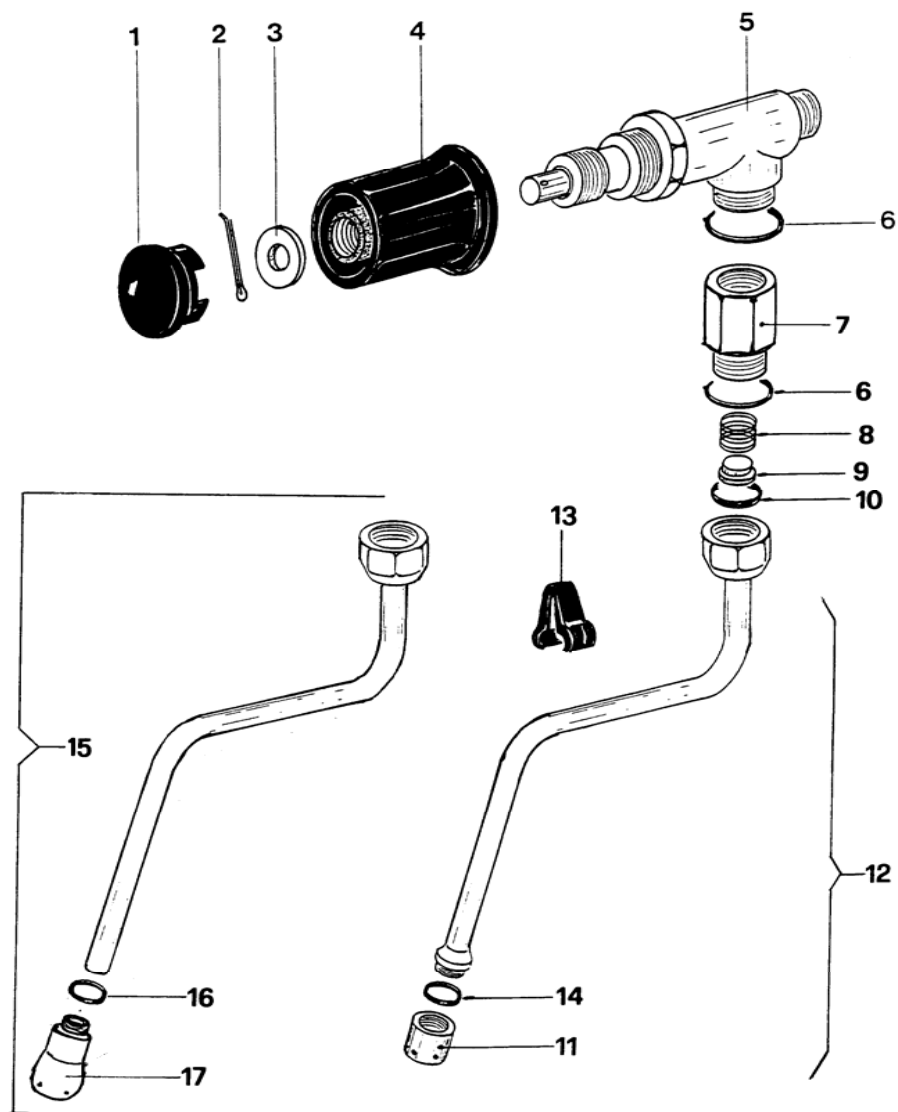




**Pump**

<b>Pos.</b>	<b>Code</b>	<b>Description</b>
1	C619900173	Pipe
2	C619900173	Pipe
3	C229900523	Connector 3/8"
4	R00002802	Shaft
5	C199900180	Motor W 180 V 220/60 UL
5	C199900248	Motor W 100 V 220/60 UL for 1 gr.
6	C449900753	Shock absorber
7	C199900350	Pump 100 l
7	C100001871	Pump 200 l for 4 gr.

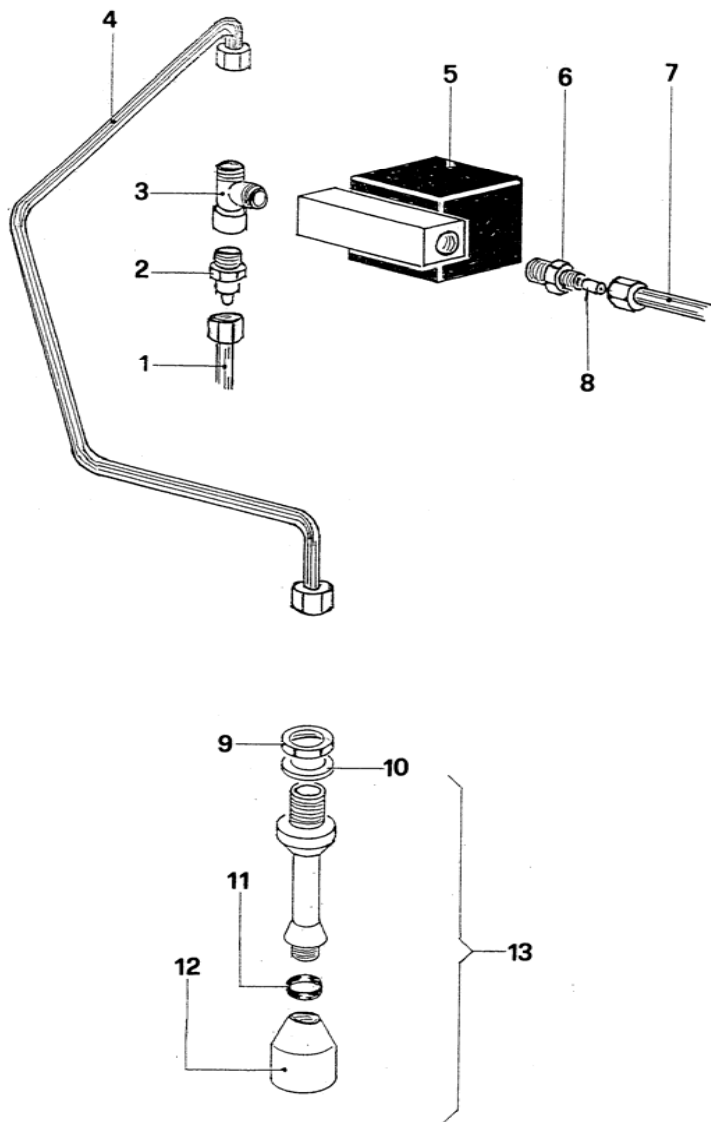
Steam valve



**Steam valve**

<b>Pos.</b>	<b>Code</b>	<b>Description</b>
1	C439900800	Cover
2	C439900371	Needle diam 2
3	C229900192	Inox washer
4	C439900799	Handle
5	C229900806	Valve
6	C449900232	Gasket 3/8" Teflon
7	C229900894	Connector H 37 mm
7	C500002251	Connector H 50 mm
8	C200001837	Spring H 30 mm
9	C229900969	Plate
10	C449900191	Gasket
11	C229900538	Brass nozzle 4 holes
12	C277700907	Chromed brass steam wand
13	C439901078	Clip
14	C469900403	Teflon gasket
15	C200002024	Stainless steel steam wand
15	C200002029	Anti-burn stainless steel steam wand
16	C400002022	Gasket OR
17	C200002021	Steam tip stainless steel 4 holes

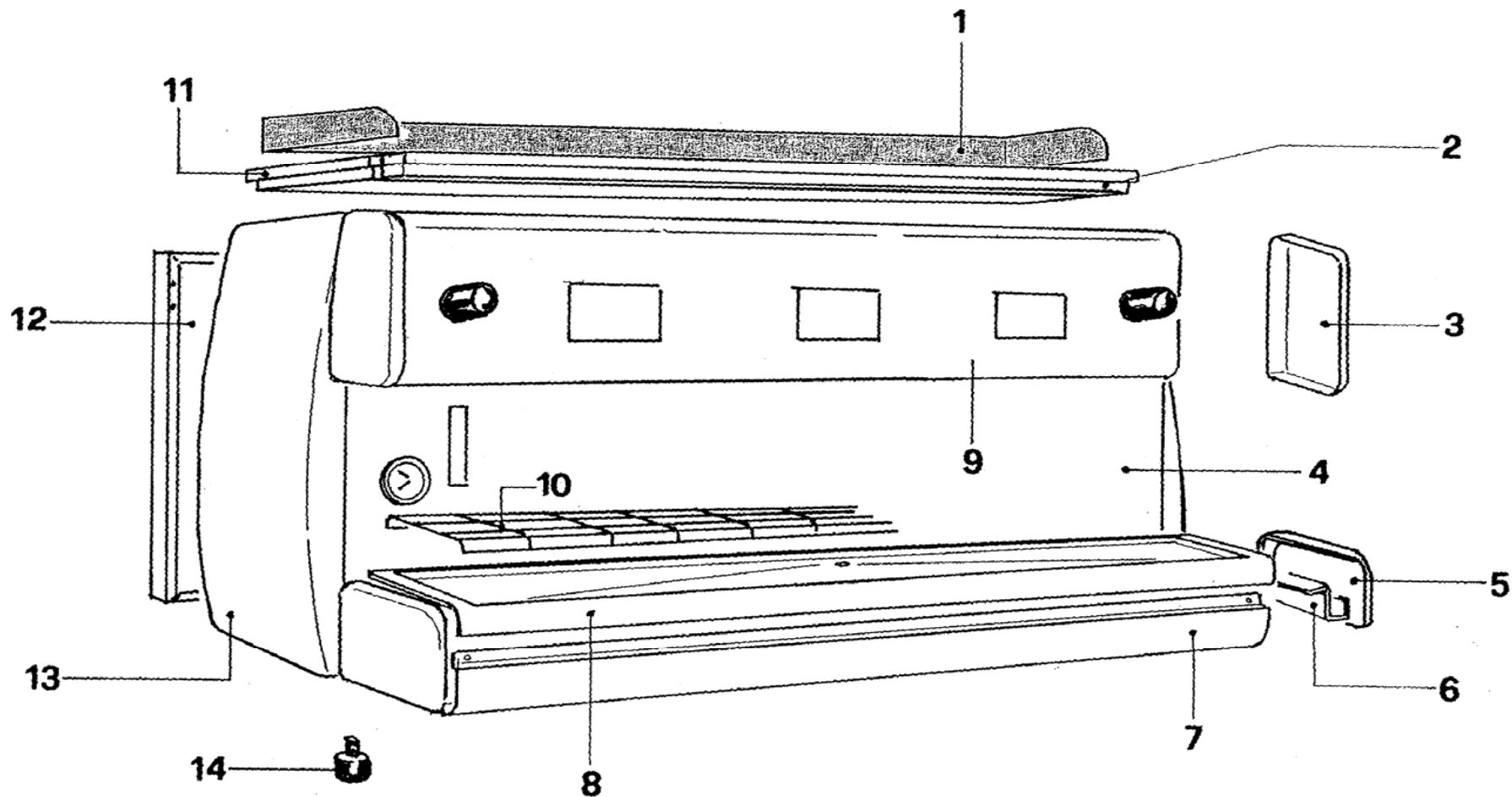
Hot water valve



**Hot water valve**

<b>Pos.</b>	<b>Code</b>	<b>Description</b>
1	C269900300	Teflon pipe 4 x 6
2	C2000001851	Connector
3	C229900528	Connector
4	C279901123	Pipe from solenoid valve to wand
5	C100002792	Hot water solenoid valve V. 208-220/60 UL
5	C199900092	Hot water solenoid valve Great Britain
6	C229900520	Connector
7	C279900637	Pipe
8	C200001653	Restrictor diam. 2,5 mm
9	C329900682	Nut 1/4"
10	C319901079	Washer 1/4" Inox
11	C469900403	Gasket
12	C227700536	Nozzle
13	C277700833	Hot water wand

Bodywork



**Bodywork**

<b>Pos.</b>	<b>Code</b>	<b>Description</b>
1	C639901263	Cups frame gr. 1
1	C639900857	Cups frame gr. 2
1	C639900856	Cups frame gr. 3
1	C639900855	Cups frame gr. 4
2	C019900066	Panel 1 gr
2	C019900067	Panel 2 gr
2	C019900068	Panel 3 gr
2	C019900069	Panel 4 gr
3	C050400081	Upper side panel glossy black
3	C050100081	Upper side panel matt black
3	C050300081	Upper side panel burgundy
3	C050200081	Upper side panel grey
3	C057700081	Upper side panel chrome
4	C019900085	Front panel inox gr. 1
4	C019900088	Front panel inox gr. 2
4	C019900091	Front panel inox gr. 3
4	C019900094	Front panel inox gr. 4
5	C050400080	Lower side panel glossy black
5	C050100080	Lower side panel matt black
5	C050300080	Lower side panel burgundy
5	C050200080	Lower side panel grey
5	C057700080	Lower side panel chrome
6	C009900007	Support
7	C019900055	Lower tray support gr. 1
7	C019900056	Lower tray support gr. 2
7	C019900057	Lower tray support gr. 3
7	C019900058	Lower tray support gr. 4
8	C019900062	Tray gr. 1
8	C019900063	Tray gr. 2
8	C019900064	Tray gr. 3

**Bodywork**

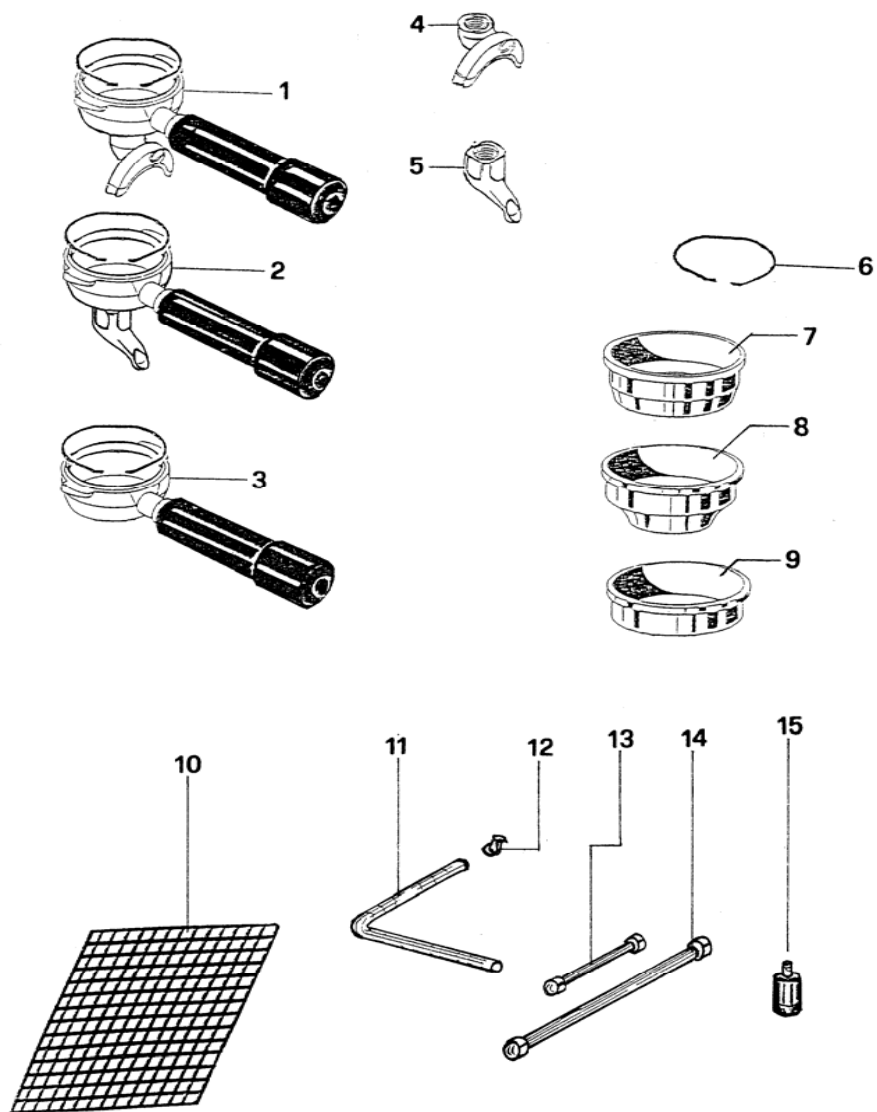
<b>Pos.</b>	<b>Code</b>	<b>Description</b>
8	C019900065	Tray gr. 4
9	C019900059	Upper front panel gr. 1
9	C019900060	Upper front panel gr. 2
9	C019900061	Upper front panel gr. 3
9	C019900095	Upper front panel gr. 4
10	C219900167	Grid gr. 1
10	C219900168	Grid gr. 2
10	C219900169	Grid gr. 3
10	C219900170	Grid gr. 4
11	C019900070	Cups tray gr. 1
11	C019900071	Cups tray gr. 2
11	C019900072	Cups tray gr. 3
11	C019900073	Cups tray gr. 4
12	C000400051	Rear panel gr. 1 glossy black
12	C000100051	Rear panel gr. 1 matt black
12	C000300051	Rear panel gr. 1 burgundy
12	C000200051	Rear panel gr. 1 grey
12	C007700051	Rear panel gr. 1 chrome
12	C000400052	Rear panel gr. 2 glossy black
12	C000100052	Rear panel gr. 2 matt black
12	C000300052	Rear panel gr. 2 burgundy
12	C000200052	Rear panel gr. 2 grey
12	C007700052	Rear panel gr. 2 chrome
12	C000400053	Rear panel gr. 3 glossy black
12	C000100053	Rear panel gr. 3 matt black
12	C000300053	Rear panel gr. 3 burgundy
12	C000200053	Rear panel gr. 3 grey
12	C007700053	Rear panel gr. 3 chrome
12	C000400054	Rear panel gr. 4 glossy black



**Bodywork**

<b>Pos.</b>	<b>Code</b>	<b>Description</b>
12	C000100054	Rear panel gr. 4 matt black
12	C000300054	Rear panel gr. 4 burgundy
12	C000200054	Rear panel gr. 4 grey
12	C007700054	Rear panel gr. 4 chrome
13	C050400082	Side panel glossy black
13	C050100082	Side panel matt black
13	C050300082	Side panel burgundy
13	C050200082	Side panel grey
13	C057700082	Side panel chrome
14	C449900752	Foot M 10

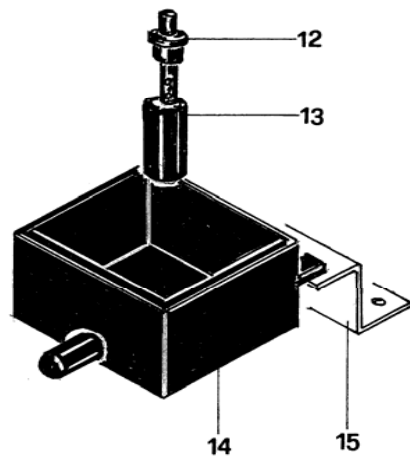
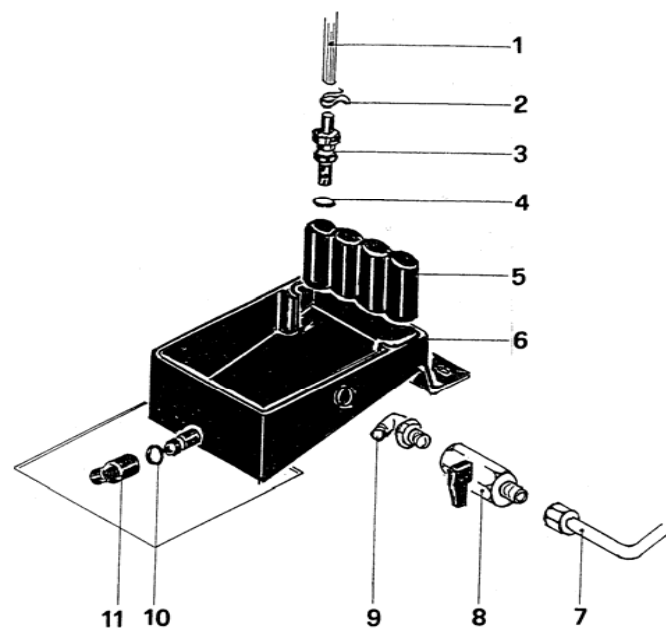
**Accessories**



**Accessories**

<b>Pos.</b>	<b>Code</b>	<b>Description</b>
1	C699901066	2 cup filter holder
2	C699901065	1 cup filter holder
3	C229900667	Filter holder
4	C229900566	Two cup spout
5	C229900562	1 cup spout
6	C619900098	Spring
7	C619900105	14 g filter basket
8	C619900104	7 g filter basket
9	C619900106	Blind filter
10	C639900809	Plastic grid
11	C639900766	Drain pipe
12	C439901114	Fixing device
13	C219900598	Fill pipe L 500 mm
14	C219900597	Fill pipe L 1500 mm
15	C600001920	Foot 130 mm USA

Drain tray



**Drain tray**

<b>Pos.</b>	<b>Code</b>	<b>Description</b>
1	C499900769	Silicone pipe diam 5 x 8
2	C199900935	Fixing device
3	C439900971	Nozzle
4	C449900702	OR 2031
5	C439900972	Connector
6	C439900970	Tray
7	C200001739	Boiler drain pipe
8	C293301702	Valve 1/4"
9	C229900534	Connector
10	C449901447	O-Ring 112
11	C400001738	Connector
12	C239900759	Nozzle 1 group machine
13	C239900760	Shaft 1 group machine
14	C439900775	Tray 1 group machine
15	C009900050	Support 1 group machine