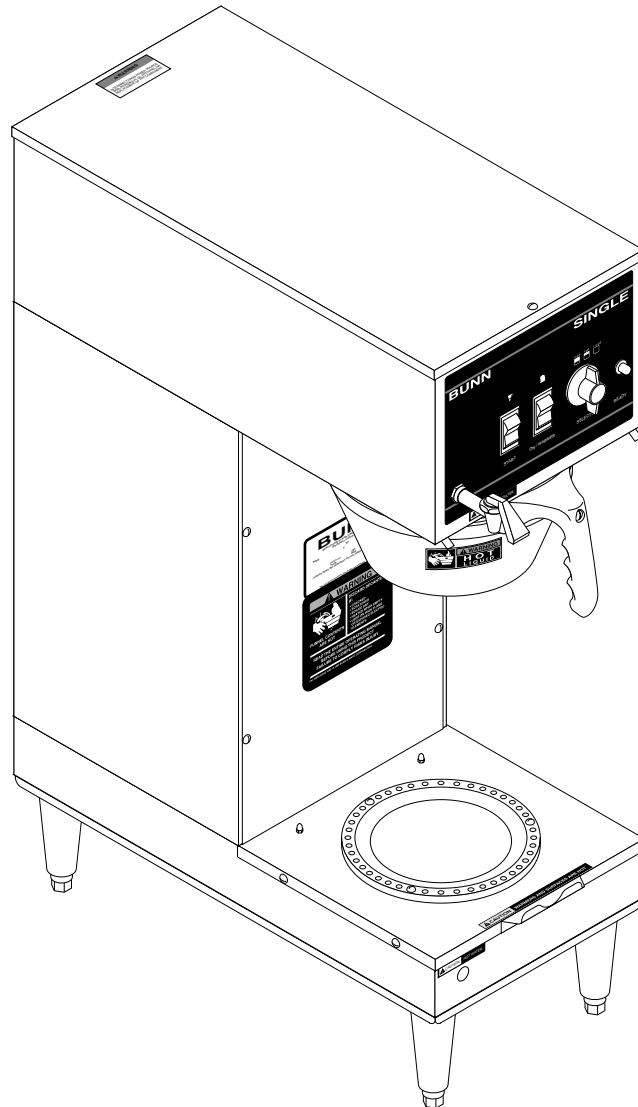


# BUNN®

## *SINGLE™*

*PRIOR TO S/N SNG0005000*



## ILLUSTRATED PARTS CATALOG

Designs, materials, weights, specifications, and dimensions for equipment or replacement parts are subject to change without notice.

**BUNN-O-MATIC CORPORATION**

POST OFFICE BOX 3227

SPRINGFIELD, ILLINOIS 62708-3227

PHONE: (217) 529-6601 FAX: (217) 529-6644

## BUNN-O-MATIC COMMERCIAL PRODUCT WARRANTY

Bunn-O-Matic Corp. ("BUNN") warrants equipment manufactured by it as follows:

- 1) All equipment other than as specified below: 2 years parts and 1 year labor.
- 2) Electronic circuit and/or control boards: parts and labor for 3 years.
- 3) Compressors on refrigeration equipment: 5 years parts and 1 year labor.
- 4) Grinding burrs on coffee grinding equipment to grind coffee to meet original factory screen sieve analysis: parts and labor for 3 years or 30,000 pounds of coffee, whichever comes first.

These warranty periods run from the date of installation BUNN warrants that the equipment manufactured by it will be commercially free of defects in material and workmanship existing at the time of manufacture and appearing within the applicable warranty period. This warranty does not apply to any equipment, component or part that was not manufactured by BUNN or that, in BUNN's judgment, has been affected by misuse, neglect, alteration, improper installation or operation, improper maintenance or repair, damage or casualty. This warranty is conditioned on the Buyer 1) giving BUNN prompt notice of any claim to be made under this warranty by telephone at (217) 529-6601 or by writing to Post Office Box 3227, Springfield, Illinois 62708-3227; 2) if requested by BUNN, shipping the defective equipment prepaid to an authorized BUNN service location; and 3) receiving prior authorization from BUNN that the defective equipment is under warranty.

**THE FOREGOING WARRANTY IS EXCLUSIVE AND IS IN LIEU OF ANY OTHER WARRANTY, WRITTEN OR ORAL, EXPRESS OR IMPLIED, INCLUDING, BUT NOT LIMITED TO, ANY IMPLIED WARRANTY OF EITHER MERCHANTABILITY OR FITNESS FOR A PARTICULAR PURPOSE.** The agents, dealers or employees of BUNN are not authorized to make modifications to this warranty or to make additional warranties that are binding on BUNN. Accordingly, statements by such individuals, whether oral or written, do not constitute warranties and should not be relied upon.

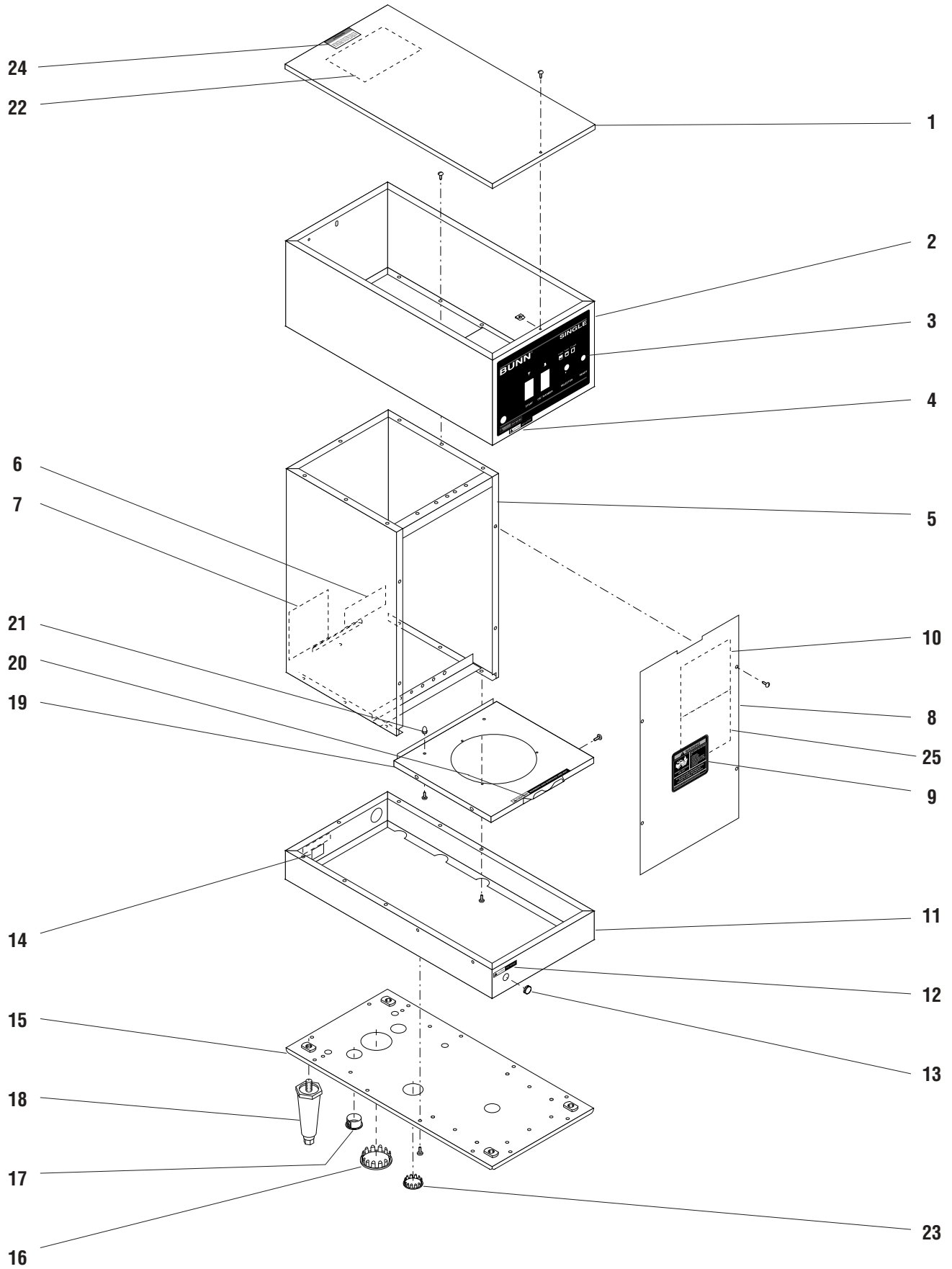
If BUNN determines in its sole discretion that the equipment does not conform to the warranty, BUNN, at its exclusive option while the equipment is under warranty, shall either 1) provide at no charge replacement parts and/or labor (during the applicable parts and labor warranty periods specified above) to repair the defective components, provided that this repair is done by a BUNN Authorized Service Representative; or 2) shall replace the equipment or refund the purchase price for the equipment.

**THE BUYER'S REMEDY AGAINST BUNN FOR THE BREACH OF ANY OBLIGATION ARISING OUT OF THE SALE OF THIS EQUIPMENT, WHETHER DERIVED FROM WARRANTY OR OTHERWISE, SHALL BE LIMITED, AT BUNN'S SOLE OPTION AS SPECIFIED HEREIN, TO REPAIR, REPLACEMENT OR REFUND.**

In no event shall BUNN be liable for any other damage or loss, including, but not limited to, lost profits, lost sales, loss of use of equipment, claims of Buyer's customers, cost of capital, cost of down time, cost of substitute equipment, facilities or services, or any other special, incidental or consequential damages.

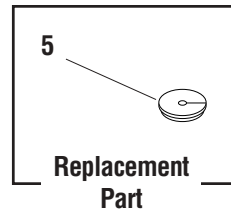
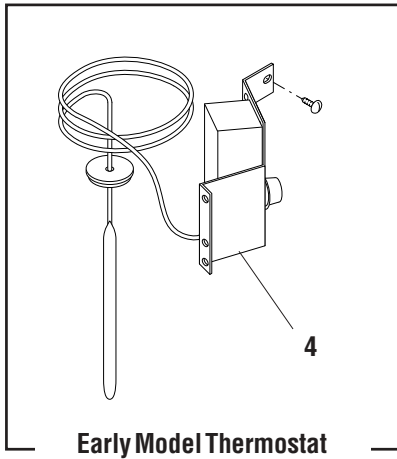
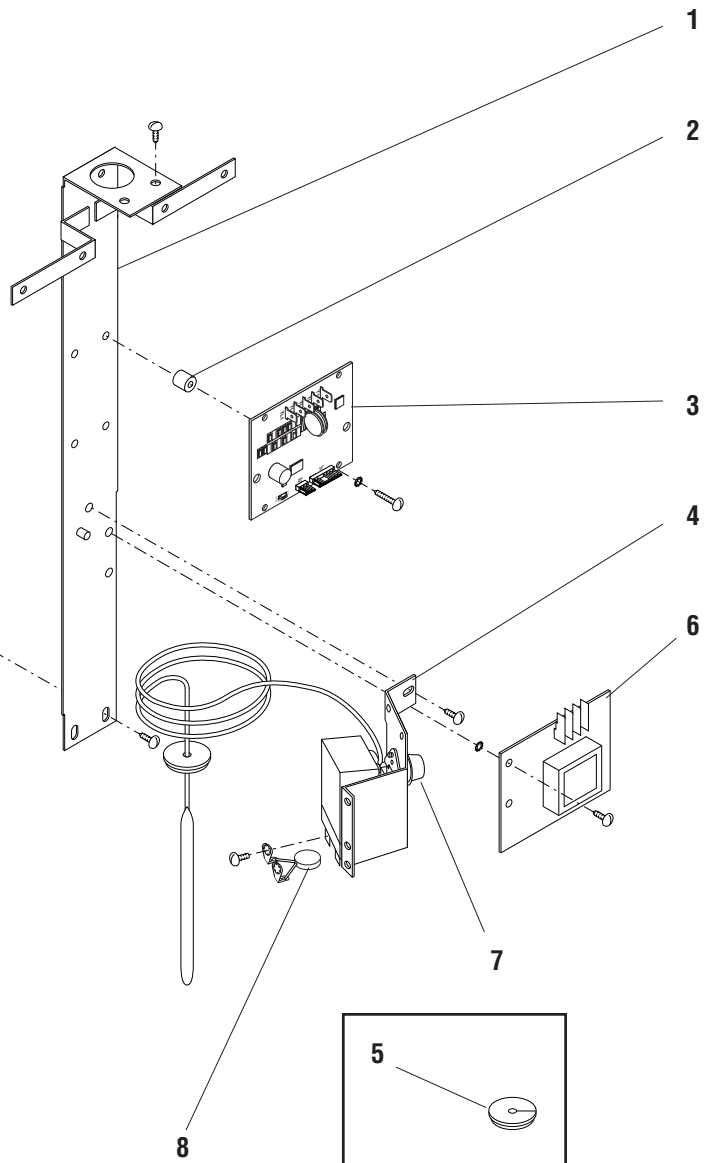
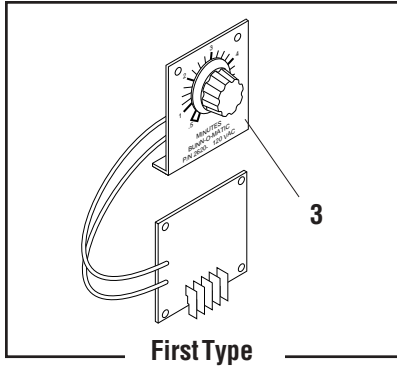
## TABLE OF CONTENTS

<b>Base - Trunk - Hood - Covers &amp; Panels .....</b>	<b>4</b>
<b>Dispense Valve and Sprayhead .....</b>	<b>24</b>
<b>Electrical Controls &amp; Ready Light .....</b>	<b>28</b>
<b>Faucet - Upper &amp; Lower .....</b>	<b>26</b>
<b>Funnels .....</b>	<b>32</b>
<b>Numerical Index .....</b>	<b>34</b>
<b>Strainer/Flow Control - Solenoid &amp; Lines .....</b>	<b>18</b>
<b>Tank and Mounting Brackets .....</b>	<b>16</b>
<b>Tank Heater &amp; Safety Devices .....</b>	<b>14</b>
<b>Timer &amp; Electronic Control .....</b>	<b>10</b>
<b>Timer &amp; Mechanical Thermostat .....</b>	<b>6</b>
<b>Triple Set Timer &amp; Electronic Control .....</b>	<b>12</b>
<b>Triple Set Timer &amp; Mechanical Thermostat .....</b>	<b>8</b>
<b>Warmer Assembly .....</b>	<b>30</b>
<b>Water By-Pass (Mechanical &amp; Electro/Mechanical) .....</b>	<b>22</b>



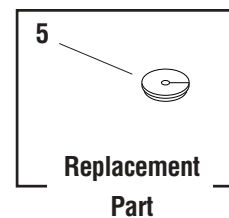
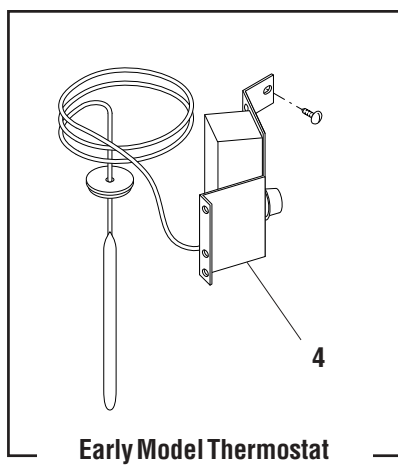
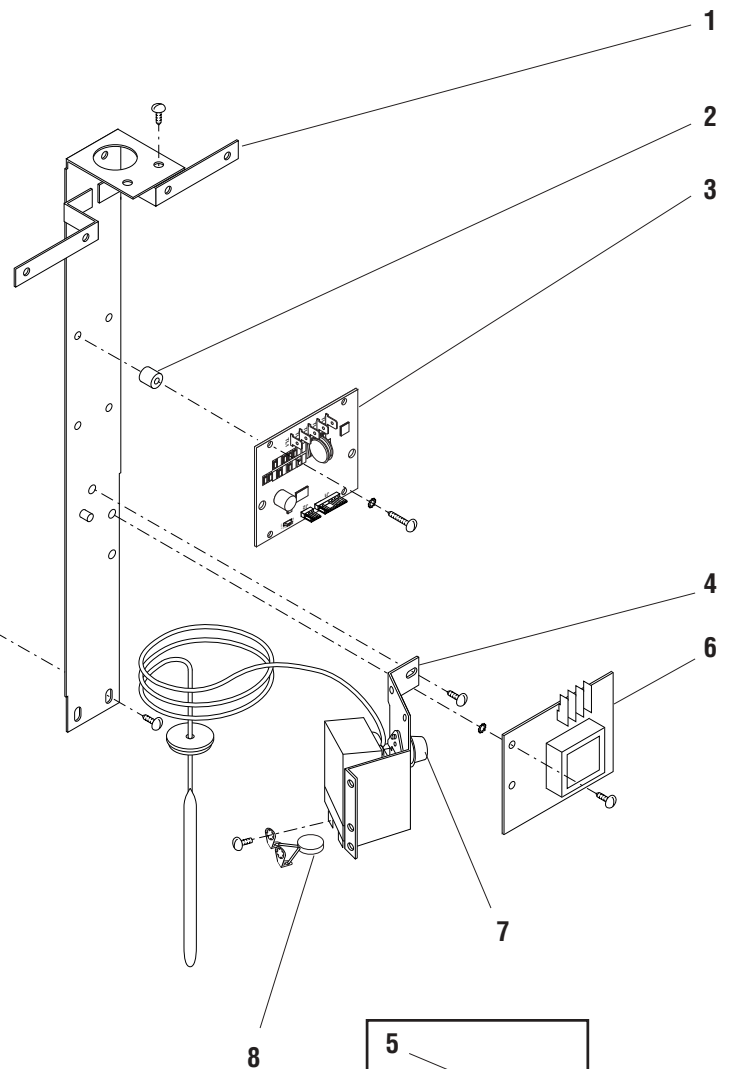
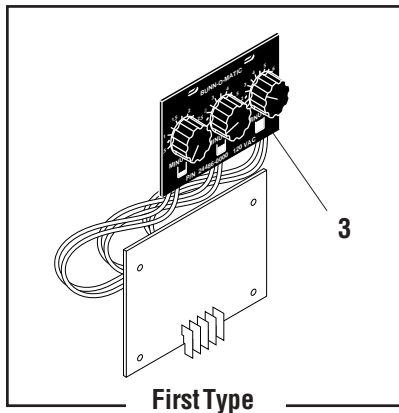
## BASE - TRUNK - HOOD - COVERS & PANELS

ITEM	PART NO.	QTY.	DESCRIPTION
1	25766.0000	1	Cover, Top (Includes item 22 & 24)
	02336.0000	1	Screw, Truss Head #4-40 x .375"
2	23417.0000	1	Hood W/Decals (W/O Faucet)
	23417.0001	1	Hood W/Decals (W/O Faucet & W/O Selector Switch)
	23417.0002	1	Hood W/Decals (W/Upper Faucet & Selector Switch)
	23417.0003	1	Hood W/Decals (W/Upper Faucet - W/O Selector Switch)
	01311.0000	7	Screw, Truss Head #8-32 x .25"
(Includes items 3 & 4 )			
3	23024.0000	1	Decal, Control Panel (W/O Faucet)
	23024.0001	1	Decal, Control Panel (W/O Faucet & W/O Selector Switch)
	23024.0002	1	Decal, Control Panel (W/Upper Faucet & Selector Switch)
	23024.0003	1	Decal, Control Panel (W/Upper Faucet - W/O Selector Switch)
4	20201.5600	1	Decal, Caution Hot Water
5	23418.0000	1	Trunk W/Decals (Includes items 6 & 7)
6	00656.0000	1	Decal, Comply to Plumbing Code
7	00831.0000	1	Decal, Warning - Electrical
8	23416.0000	1	Panel W/Decals, Trunk (Brewers W/Mechanical Thermostat) (Includes items 9 & 10)
	23416.0001	1	Panel W/Decals, Trunk (Brewers W/Electronic Control) (Includes items 9 & 10)
	23416.0002	1	Panel W/Decals, Trunk (200/230V 2 Wire Brewers) (Includes item 9)
	01382.0000	4	Screw, Truss Head #6-32 x .375"
9	00658.0000	1	Decal, Caution - Decanter/Funnel
10	10697.0000	1	Schematic (120V & 120/240V Brewers W/Mechanical Thermostat)
	10706.0000	1	Schematic (120V & 120/240V Brewers W/Electronic Control)
11	23419.0000	1	Base W/Decals (Brewers W/ Rear Receptacle) (Includes items 12, 13 & 14)
	23419.0001	1	Base W/Decal (Brewers W/O Rear Receptacle) (Includes item 12 & 13)
	01311.0000	7	Screw, Truss Head #8-32 x .25"
12	20201.5600	1	Decal, Caution Hot Water
13	00619.0007	1	Plug, Hole .50" Dia. (Not used on Brewers W/Lower Faucet)
14	02822.0000	1	Decal, Auxiliary Outlet (Brewers W/Rear Receptacle)
15	22979.0000	1	Cover, Bottom
	02308.0000	12	Pan Head #8-32 x .375"
16	00619.0008	1	Plug, Hole 2.0" Dia.
17	03011.0000	3	Plug, Vent 1.0" Dia.
18	03359.0000	4	Leg, Plastic
	00502.0000	4	Leg, Nickel
19	23440.0000	1	Warmer Panel W/Decal (Includes item 20)
	01382.0000	4	Screw, Truss Head #6-32 x .375"
20	12364.0000	1	Decal, Caution-Warmers are Hot
21	02324.0000	2	Nut, Acorn #8-32
	01311.0000	2	Screw, Truss Head #8-32 x .25"
22	25151.0000	1	Shield, Insulator
23	00619.0005	1	Plug, Hole 1.06" Dia.
24	10044.0000	1	Decal, Shut Off Power
25	32540.0000	1	Decal, Digital Timer Setting



## SINGLE SET TIMER & MECHANICAL THERMOSTAT

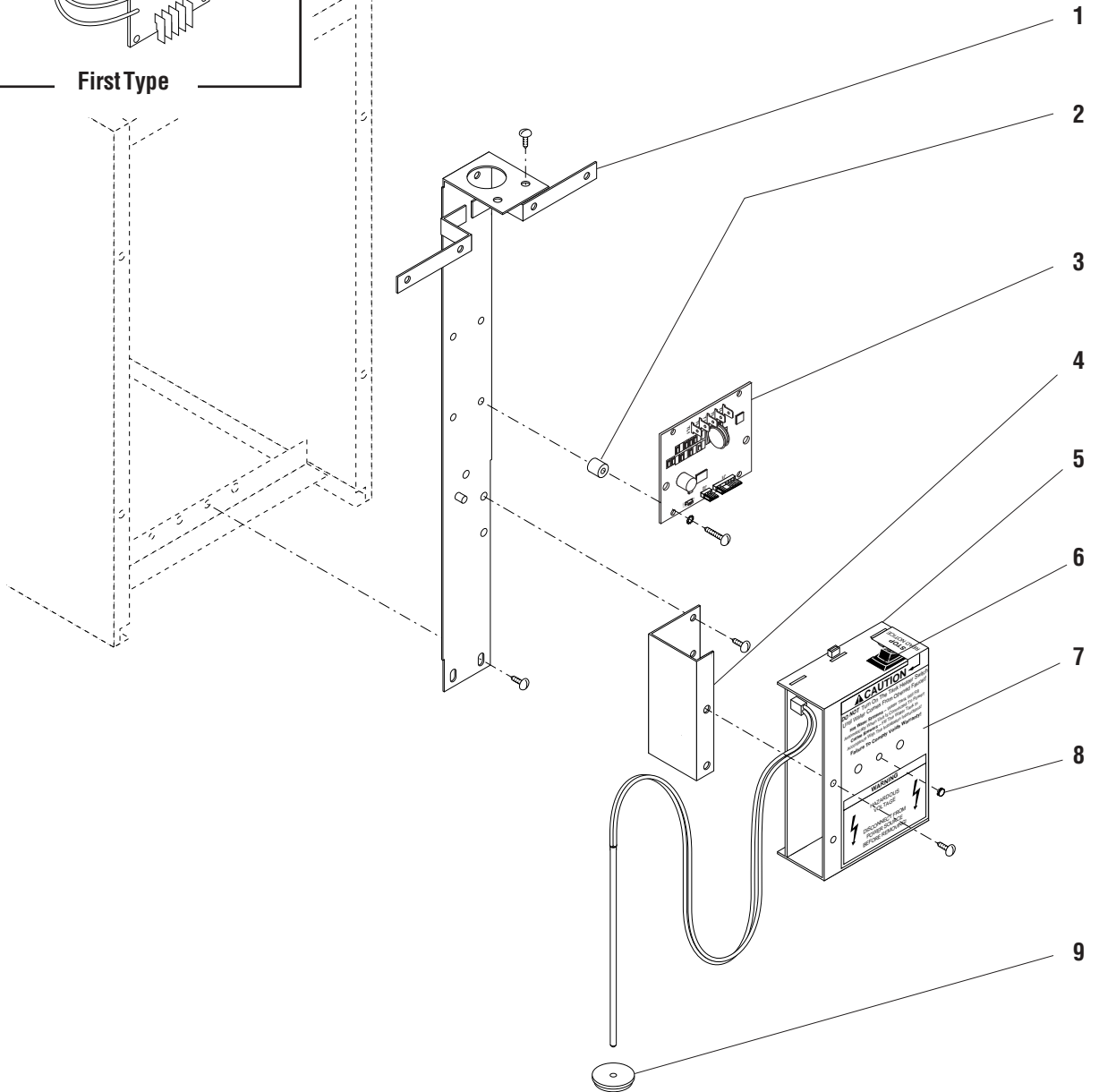
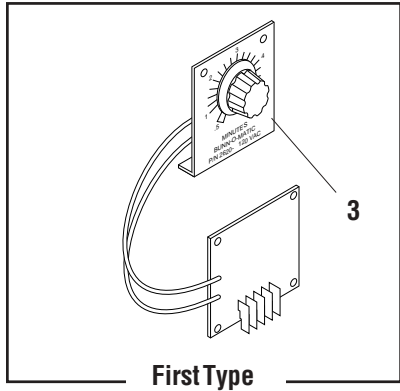
ITEM	PART NO.	QTY.	DESCRIPTION
1	20948.0001	1	Bracket, Component Mounting
	02308.0000	4	Screw, Pan Head #8-32 x .375"
2	01533.0000	2	Spacer, Nylon .375"
3	02620.1040	1	Timer, 8 Min. 120V (Shown) } First Type
	02620.1041	1	Timer, 8 Min. 240V } First Type
	32400.0002	1	Timer, Digital 120V } Second Type
	32400.0003	1	Timer, Digital 240V } Second Type
	01347.0000	2	Screw, Truss Head #6-32 x .375" (Not used with Digital Timer)
	01510.0000	2	Lockwasher, External Tooth #6
	01388.0000	2	Screw, Truss Head #6-32 x .75"
4	04314.0001	1	Thermostat Kit (Includes item 5, 7 & 8)(Late Models)(Also replaces early model thermostat)
	02308.0000	1	Screw, Pan Head #8-32 x .375" (Mounting)
	20762.0000	2	Screw, Binding Head #8-32 x .25" (Terminal Screws)
5	07073.0000	1	Grommet, Thermostat
6	07074.1026	1	Control Board, Level (120V)
	07074.1027	1	Control Board, Level (240V)
	02308.0000	2	Screw, Pan Head #8-32 x .375"
	01511.0000	2	Lockwasher, External Tooth #8
7	00720.0000	1	Knob, Thermostat
8	28377.0000	1	Noise Suppressor (Not used with Digital Timer)





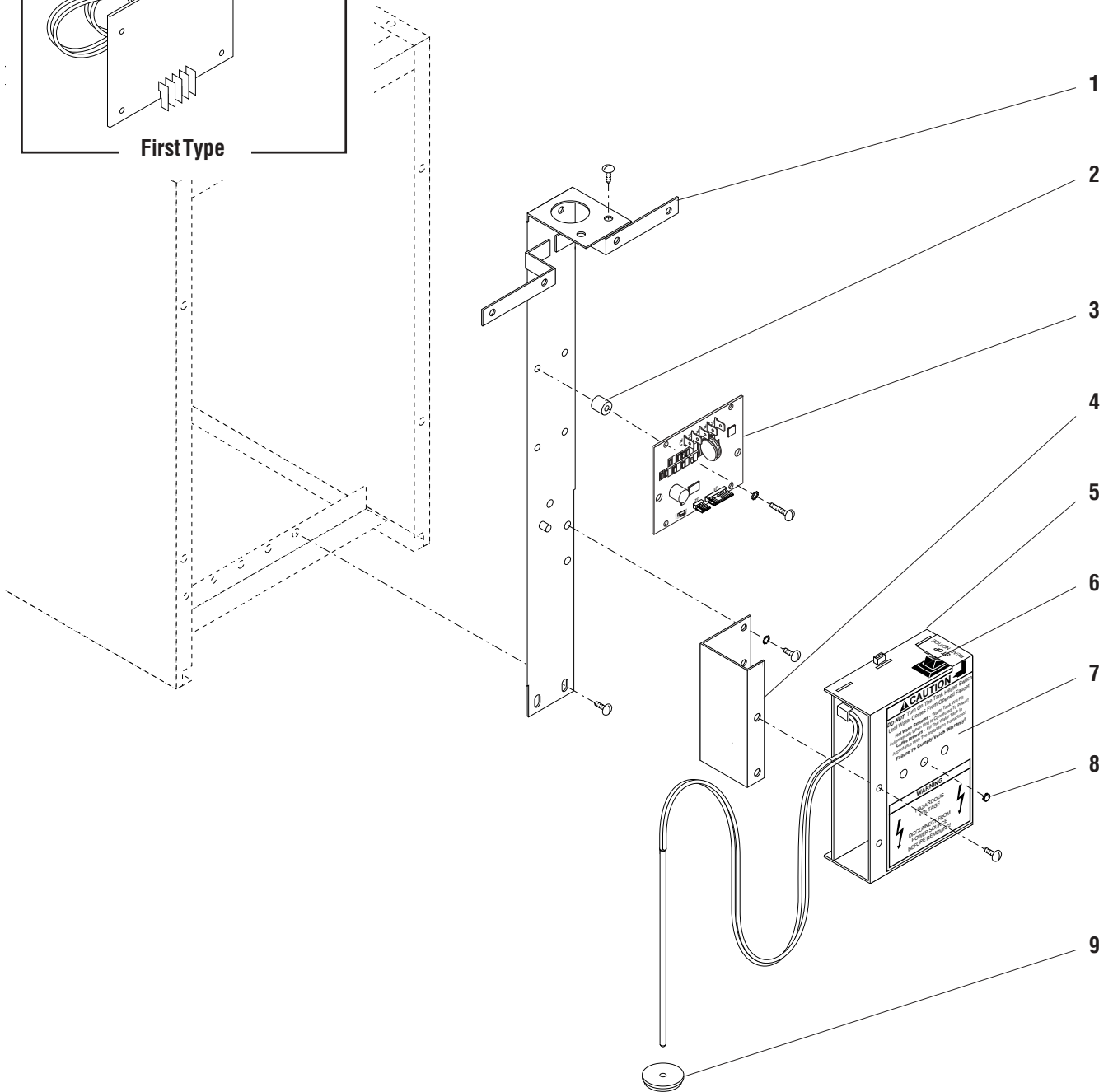
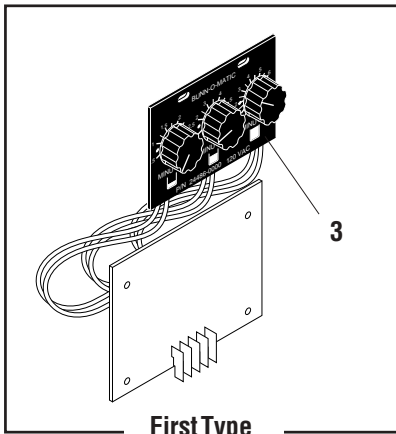
## TRIPLE SET TIMER & MECHANICAL THERMOSTAT

ITEM	PART NO.	QTY.	DESCRIPTION
1	20948.0001	1	Bracket, Component Mounting
	02308.0000	4	Screw, Pan Head #8-32 x .375"
2	01533.0000	2	Spacer, Nylon .375"
3	24486.1000	1	Timer, Triple 120V } First Type
	24486.1001	1	
	32400.0002	1	} Second Type
	32400.0003	1	
	01347.0000	2	Screw, Truss Head #6-32 x .375" (Not used with Digital Timer)
	01510.0000	2	Lockwasher, External Tooth #6
	01388.0000	2	Screw, Truss Head #6-32 x .75"
4	04314.0001	1	Thermostat Assy (Includes item 5, 7 & 8)(Late Models)(Also replaces early model Thermostat)
	02308.0000	1	Screw, Pan Head #8-32 x .375" (Mounting)
	20762.0000	2	Screw, Binding Head #8-32 x .25" (Terminal Screws)
5	07073.0000	1	Grommet, Thermostat
6	07074.1026	1	Control Board, Level (120V)
	07074.1027	1	Control Board, Level (200/240V)
	02308.0000	2	Screw, Pan Head #8-32 x .375"
	01511.0000	2	Lockwasher, External Tooth #8
7	00720.0000	1	Knob, Thermostat
8	28377.0000	1	Noise Suppressor (Not used with Digital Timer)



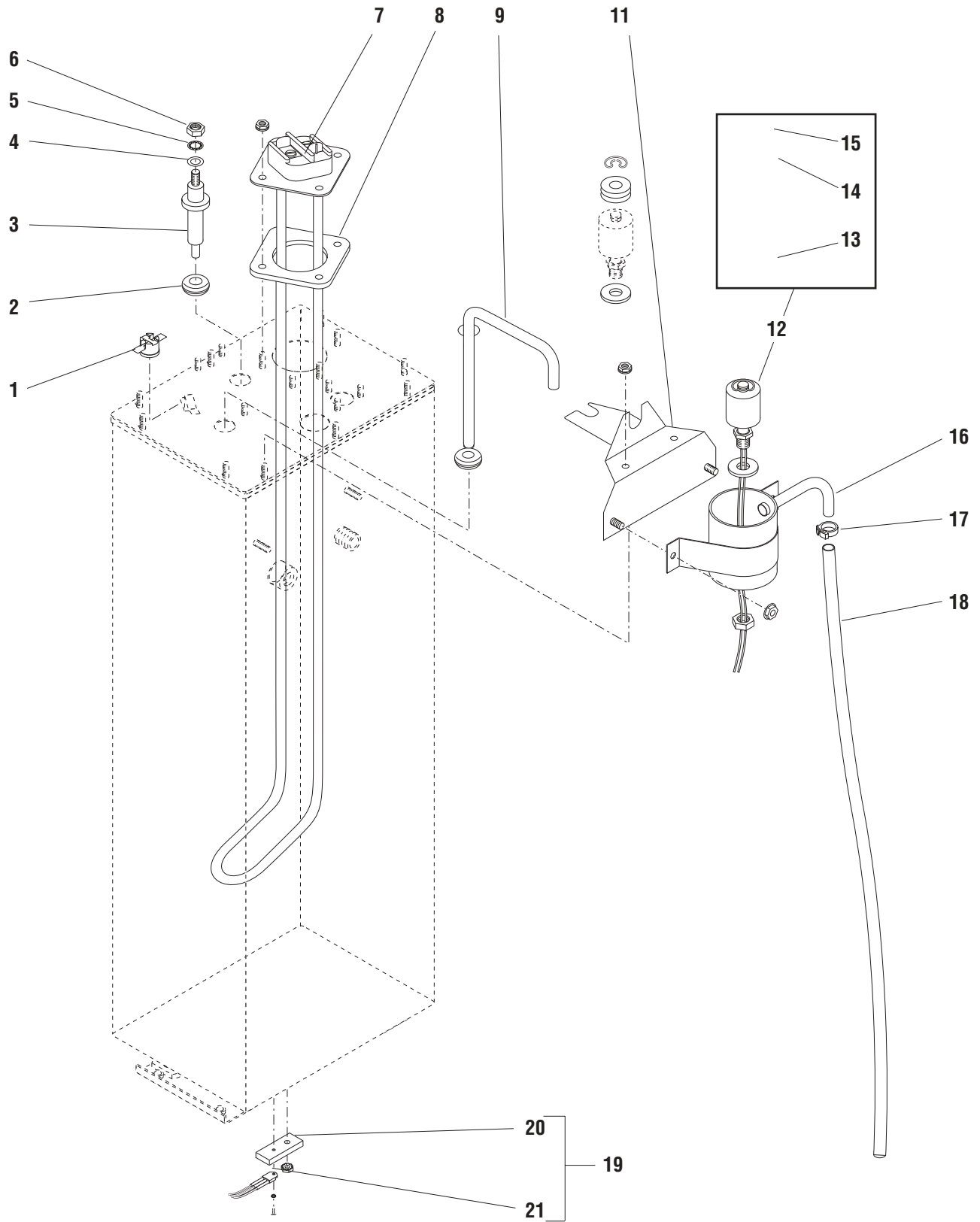
## SINGLE SET TIMER & ELECTRONIC CONTROL

ITEM	PART NO.	QTY.	DESCRIPTION
1	20948.0001	1	Bracket, Component Mounting
	02308.0000	4	Screw, Pan Head #8-32 x .375"
2	01533.0000	2	Spacer, Nylon .375"
3	02620.1040	1	Timer, 8 Min. 120V (Shown) } First Type
	02620.1041	1	Timer, 8 Min. 240V } First Type
	32400.0002	1	Timer, Digital 120V } Second Type
	32400.0003	1	Timer, Digital 240V } Second Type
	01347.0000	2	Screw, Truss Head #6-32 x .375" (Not used with Digital Timer)
	01510.0000	2	Lockwasher, External Tooth #6
	01388.0000	2	Screw, Truss Head #6-32 x .75"
4	21122.0000	1	Bracket, Electronic Control Mounting
	02308.0000	2	Screw, Pan Head #8-32 x .375"
5	12560.0019	1	Control Assy, Electronic 120V } Includes items 6 thru 9
	12560.0018	1	Control Assy, Electronic 200/240V } Includes items 6 thru 9
	02308.0000	2	Screw, Pan Head #8-32 x .375"
6	04786.0002	1	Switch, On/Off
7	12559.0000	1	Decal, Caution/Warning
8	00619.0002	1	Plug, Hole .250" Dia.
9	12570.0000	1	Grommet, Temp. Sensor



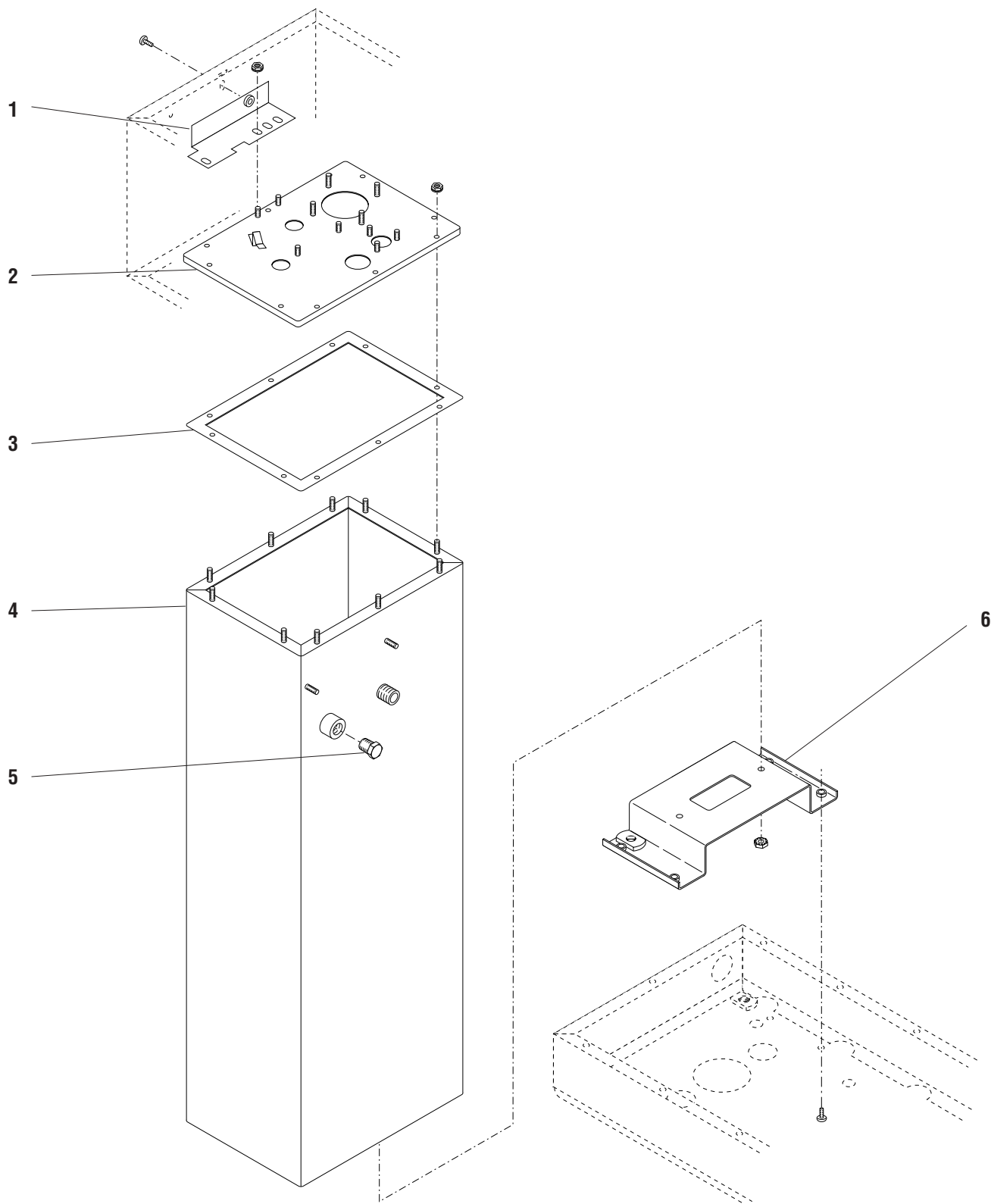
## TRIPLE SET TIMER & ELECTRONIC CONTROL

ITEM	PART NO.	QTY.	DESCRIPTION
1	20948.0001	1	Bracket, Component Mounting
	02308.0000	4	Screw, Pan Head #8-32 x .375"
2	01533.0000	2	Spacer, Nylon .375"
3	24486.1000	1	Timer, Triple 120V
	24486.1001	1	Timer, Triple 200/240V
	32400.0002	1	Timer, Digital 120V
	32400.0003	1	Timer, Digital 240V
	01347.0000	2	Screw, Truss Head #6-32 x .375" (Not used with Digital Timer)
	01510.0000	2	Lockwasher, External Tooth #6
	01388.0000	2	Screw, Truss Head #6-32 x .75"
4	21122.0000	1	Bracket, Electronic Control Mounting
	02308.0000	2	Screw, Pan Head #8-32 x .375"
5	12560.0019	1	Control Assy, Electronic 120V
	12560.0018	1	Control Assy, Electronic 200/240V
	02308.0000	2	Screw, Pan Head #8-32 x .375"
6	04786.0002	1	Switch, On/Off
7	12559.0000	1	Decal, Caution/Warning
8	00619.0002	1	Plug, Hole .250" Dia.
9	12570.0000	1	Grommet, Temp. Sensor



## TANK HEATER & SAFETY DEVICES

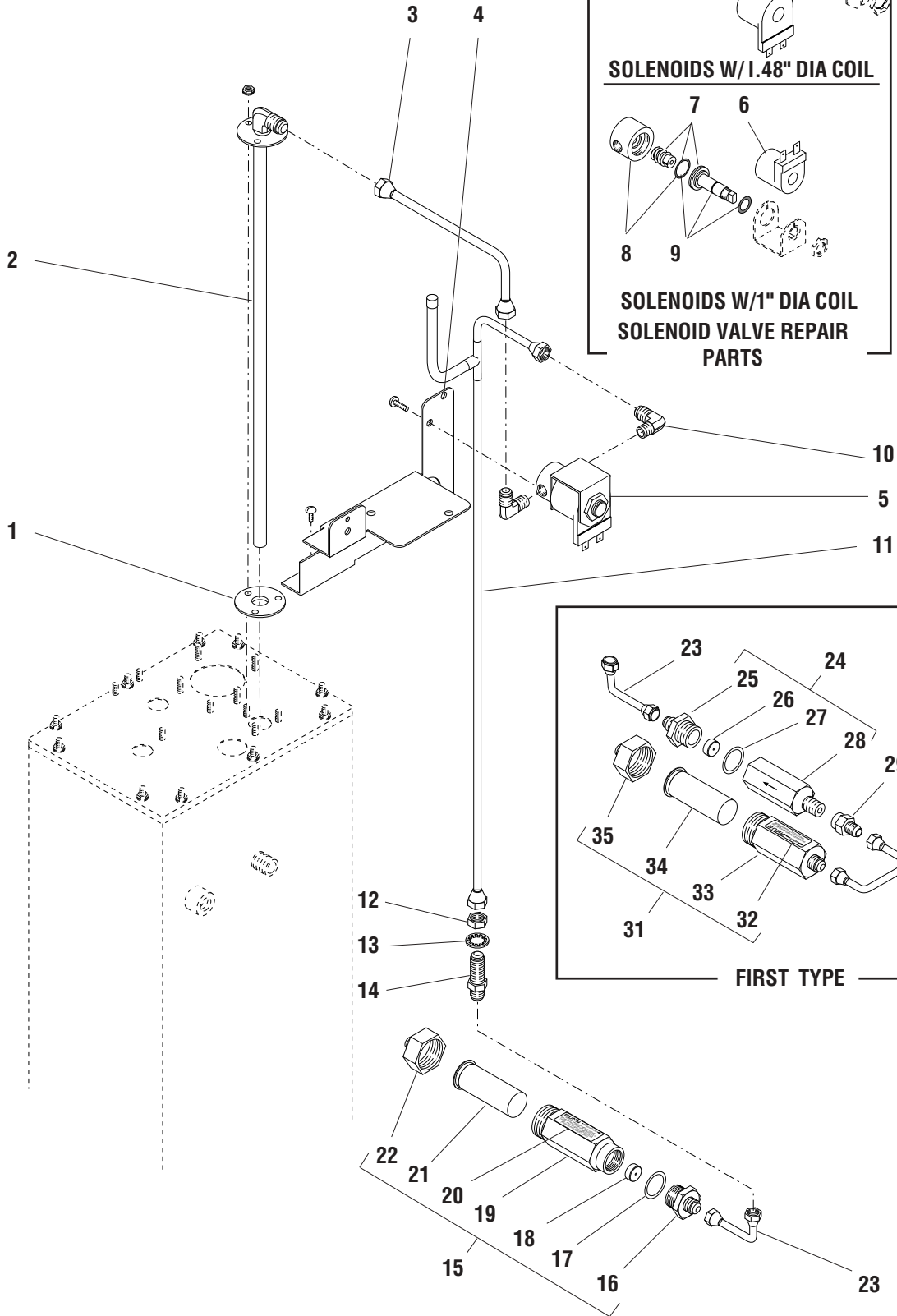
ITEM	PART NO.	QTY.	DESCRIPTION	
1	29329.1000	1	Thermostat, Limit	
2	02536.0000	1	Grommet, Probe	
3	20936.1000	1	Probe Kit (Includes items 4 thru 6)	
4	01501.0000	1	Washer	
5	20203.0100	1	Lockwasher, Internal Tooth #8	
6	00908.0000	1	Nut, Hex #8-32	
7	12524.1000	1	Tank Heater, 1800W @ 120V	} Each includes item 8
	20922.1000	1	Tank Heater, 3300W @ 240V	
	20922.1003	1	Tank Heater, 3700W @ 208V	
	12322.1000	1	Tank Heater, 4000W @ 240V	
	12305.1000	1	Tank Heater, 3700W @ 200V	
	00908.0000	4	Nut, Hex #8-32	
8	12398.0002	1	Gasket, Tank Heater	
9	20229.1000	1	Tube Assy, Vent	
10	02536.0000	2	Grommet .375" I.D.	
11	20930.0000	1	Bracket, Overflow Cup Mounting	
12	03803.0000	1	Switch Assy, Liquid Level (Includes items 13, 14 & 15)	
	00946.0000	1	Nut, Hex .125" FPT	
13	03633.0000	2	Gasket, Float Switch (Only 1 used in this application)	
14	-----	3	Washer, Adjusting (DO NOT USE IN THIS APPLICATION)	
15	03807.0000	1	Clip, Spring	
16	12552.0000	1	Overflow Cup Assy	
	00965.0000	2	Nut, Zip #8-32	
17	12422.0000	1	Clamp, Hose .47"/.54" I.D.	
18	-----	1	Tube, Silicone .312" I.D. x 21.50" (Order item 23)	
19	12527.0001	1	Triac/Heat Sink Assy (Includes items 20, 21 & 22)	
	00971.0000	1	Nut, Keps #10-32	
20	12561.0000	1	Heat Sink, Copper	
21	12565.0002	1	Triac Assy, 40 AMP	
	02328.0003	1	Screw, Pan Head #6-32 x .312"	
	01520.0000	1	Lockwasher, Split #6	
22	M2522.1000	-	Heat Sink Compound	} Not Illustrated
23	03236.1001	-	Tube, Silicone .312" I.D. x 36.0"	





## TANK AND MOUNTING BRACKETS

ITEM	PART NO.	QTY.	DESCRIPTION
1	20932.0000	1	Bracket, Tank Support (Top)
	01315.0000	1	Screw, Truss Head #8-32 x .375"
	00908.0000	2	Nut, Hex #8-32
2	22976.0000	1	Lid, Tank
	00908.0000	10	Nut, Hex #8-32
3	22978.0000	1	Gasket, Tank
4	23324.1000	1	Tank
5	20201.6001	1	Plug, Pipe .25" NPT (Not used with faucet models)
6	23193.0000	1	Bracket, Tank Mounting (Bottom)
	00971.0000	2	Nut, Keps #10-32
	02308.0000	4	Screw, Pan Head #8-32 x .375"

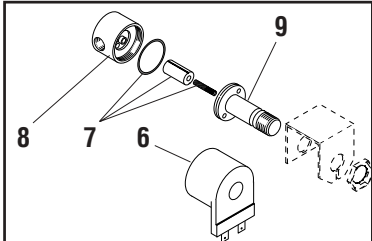
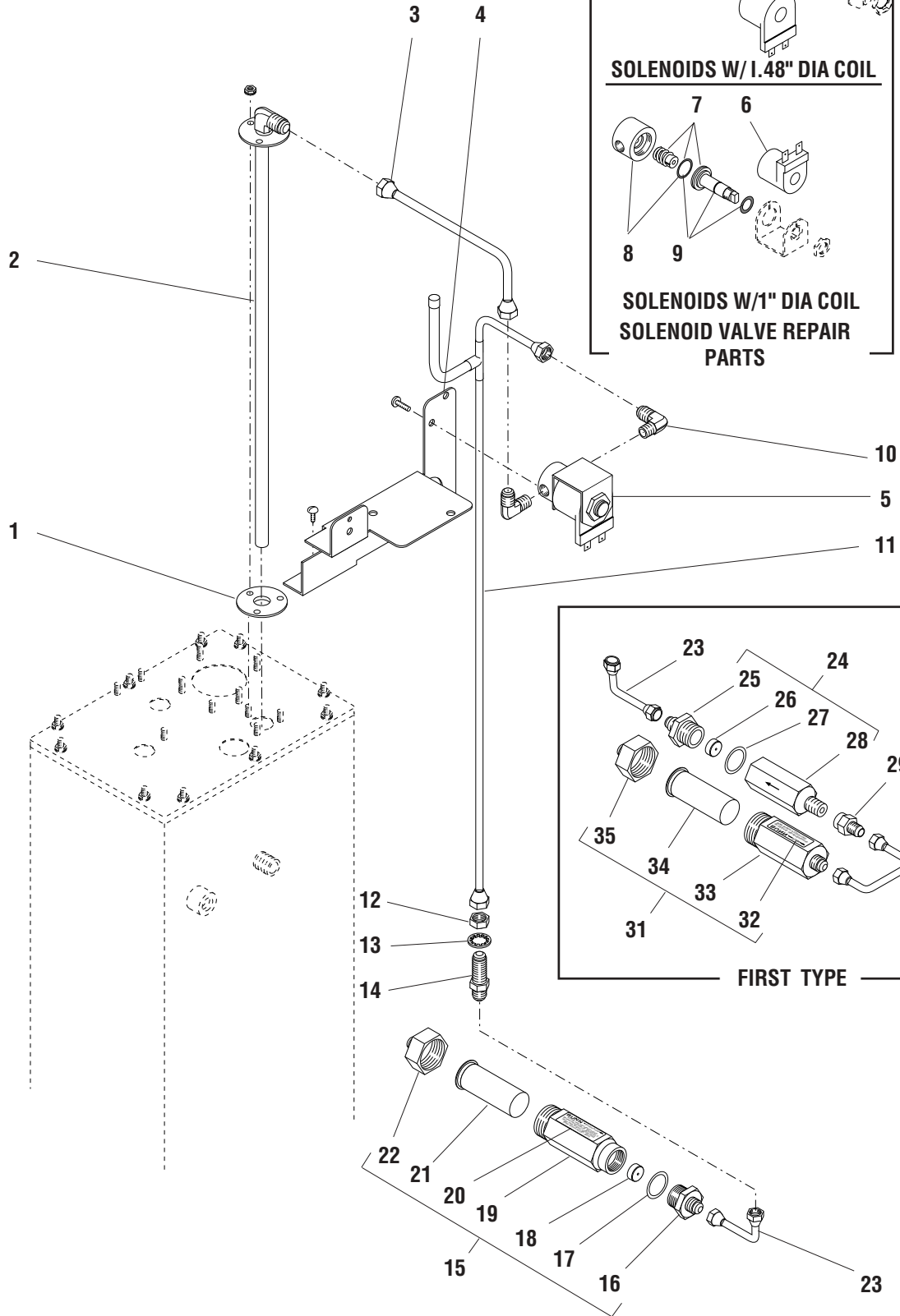


## STRAINER/FLOW CONTROL - SOLENOID AND LINES

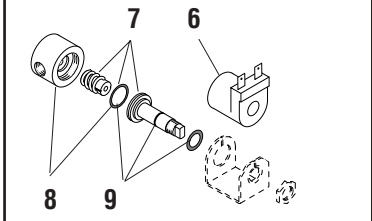
ITEM	PART NO.	QTY.	DESCRIPTION
1	05515.0000	1	Gasket, Spayhead Tube
2	22992.0001	1	Tube, Tank Fill
	00908.0000	3	Nut, Hex #8-32
3	21812.0007	1	Tube Assy, Solenoid to Tank (Includes Nuts)
4	23015.0000	1	Bracket, Upper Component
	02308.0000	3	Screw, Pan Head #8-32 x .375"
5	-----	1	Solenoid Valve Assy, 120V - 1.48" dia. Coil (Not Available. Order 01085.0002)
	01085.0002	1	Solenoid Valve Assy, 120V - 1.0" dia. Coil
	01975.0000	1	Solenoid Valve Assy, 240V - 1.48" dia. Coil
	21180.0000	1	Solenoid Valve Assy, 200V - 1.48" dia. Coil
	01327.0000	2	Screw, Pan Head #10-32 x .375"
	01502.0000	2	Lockwasher, Split #10
6	01101.0000	1	Solenoid Valve Coil, 120V - 1.48" dia. Coil
	28480.0000	1	Solenoid Valve Coil, 120V - 1.0" dia. Coil
	01100.0000	1	Solenoid Valve Coil, 240V - 1.48" dia. Coil
	21181.0000	1	Solenoid Valve Coil, 200V - 1.48" dia. Coil
7	01111.0000	1	Solenoid Valve Repair Kit - 1.48" dia. Coil (Includes Plunger, Seal and Spring)
	01111.0002	1	Solenoid Valve Repair Kit - 1.0" dia. Coil (Includes Plunger, Spring and O-ring)
8	01079.0000	1	Solenoid Valve Base - 1.48" dia. Coil
	28479.0000	1	Solenoid Valve Base - 1.0" dia. Coil (Includes O-ring)
9	01116.0000	1	Guide - 1.48" dia. Coil
	28481.0000	1	Guide - 1.0" dia. Coil
10	00400.0001	2	Elbow, Male .250" Flare x .125" MPT
11	25160.0000	1	Tube Assy, Bulkhead to Solenoid (Includes Nuts) (Also replaces Hose Assembly used on Early Models)
12	00463.0000	1	Nut, Hex .438" - 20
13	01532.0000	1	Lockwasher, Internal Tooth .438" I.D.
14	00459.0001	1	Bulkhead Fitting .250" Flare
15	22300.0330	1	Strainer/Flow Control Assy (Includes items 16 thru 22)
16	01154.0000	1	Flow Control Outlet
17	01155.0000	1	Flow Control Gasket
18	20526.1330	1	Flow Washer/Gasket Set .330 GPM (Includes item 17)
19	-----	1	Body (Not available order item 15)
20	22307.0330	1	Decal, Strainer/Flow Control
21	23721.0000	1	Screen
22	22249.0000	1	End Cap
23	00310.0002	1	Tube Assy, Flow Control to Bulkhead (Includes Nuts)
24	20528.0330	1	Flow Control Assy (.330 GPM) (Includes items 25 thru 28)
25	01154.0000	1	Flow Control Outlet
26	20526.0330	1	Flow Washer .330 GPM

(Continued)

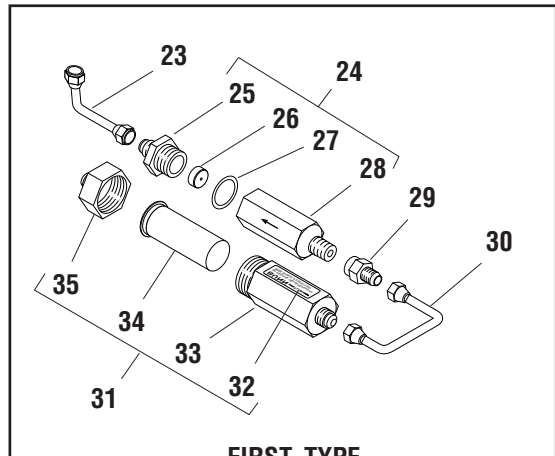
(Continued)



SOLENOIDS W/1.48" DIA COIL



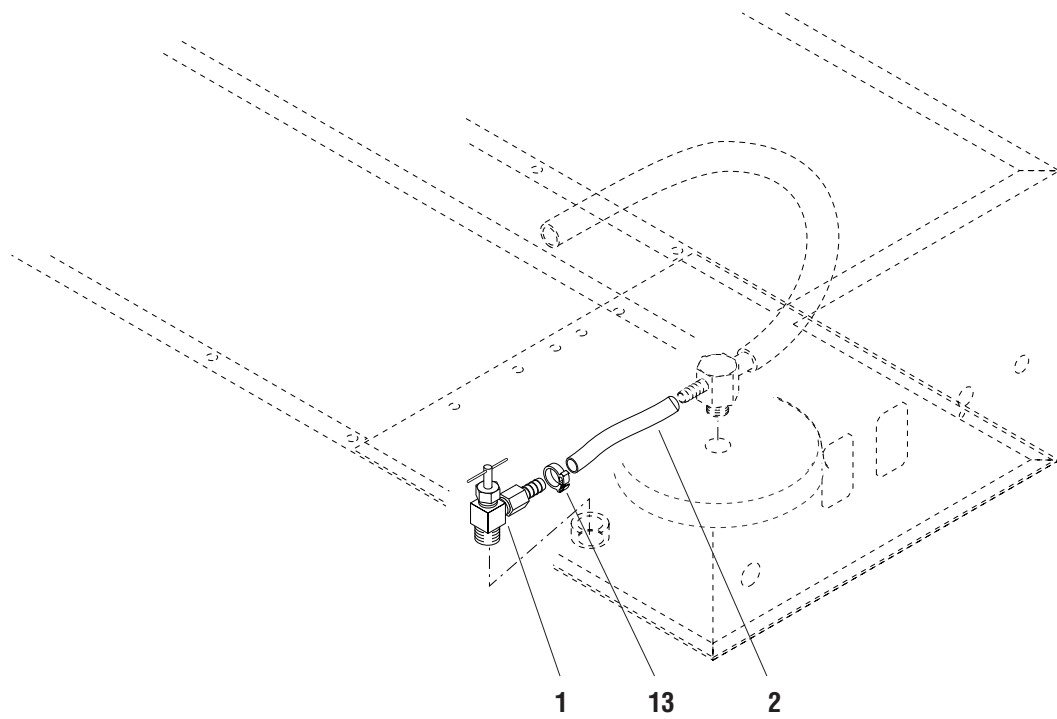
SOLENOIDS W/1" DIA COIL  
SOLENOID VALVE REPAIR PARTS



FIRST TYPE

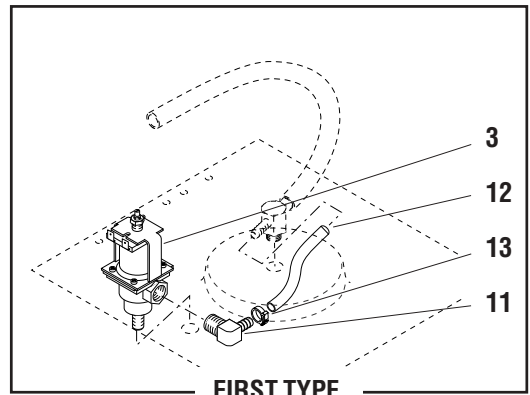
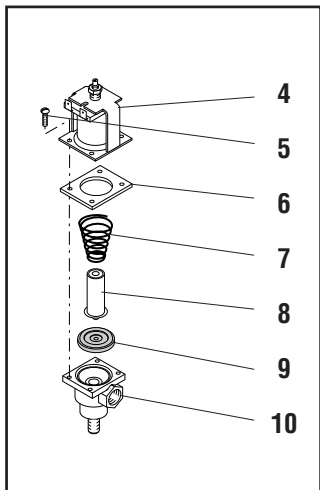
## STRAINER/FLOW CONTROL - SOLENOID AND LINES

ITEM	PART NO.	QTY.	DESCRIPTION
27	01155.0000	1	Flow Control Gasket
28	-----	1	Body (Not available order item 24)
29	00445.0001	1	Connector .250" Flare x .125" FPT
30	04572.0002	1	Tube Assy, Flow Control to Strainer
31	23820.1000	1	Water Strainer Assy (Includes items 32 thru 35)
32	22267.0002	1	Decal, Strainer
33	-----	1	Body (Not available order item 31)
34	23721.0000	1	Screen
35	22249.0000	1	End Cap, Water Strainer

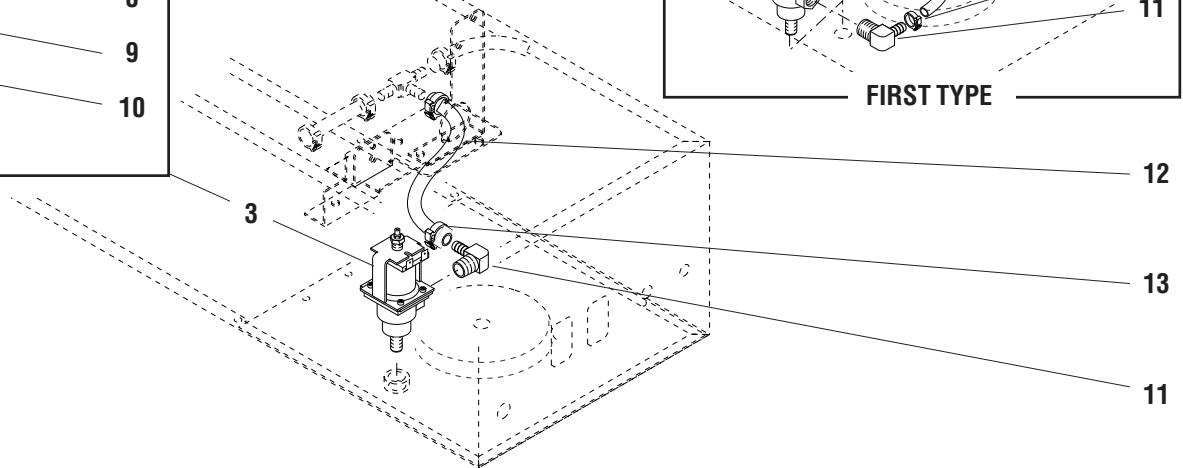


MECHANICAL TYPE

P293



FIRST TYPE



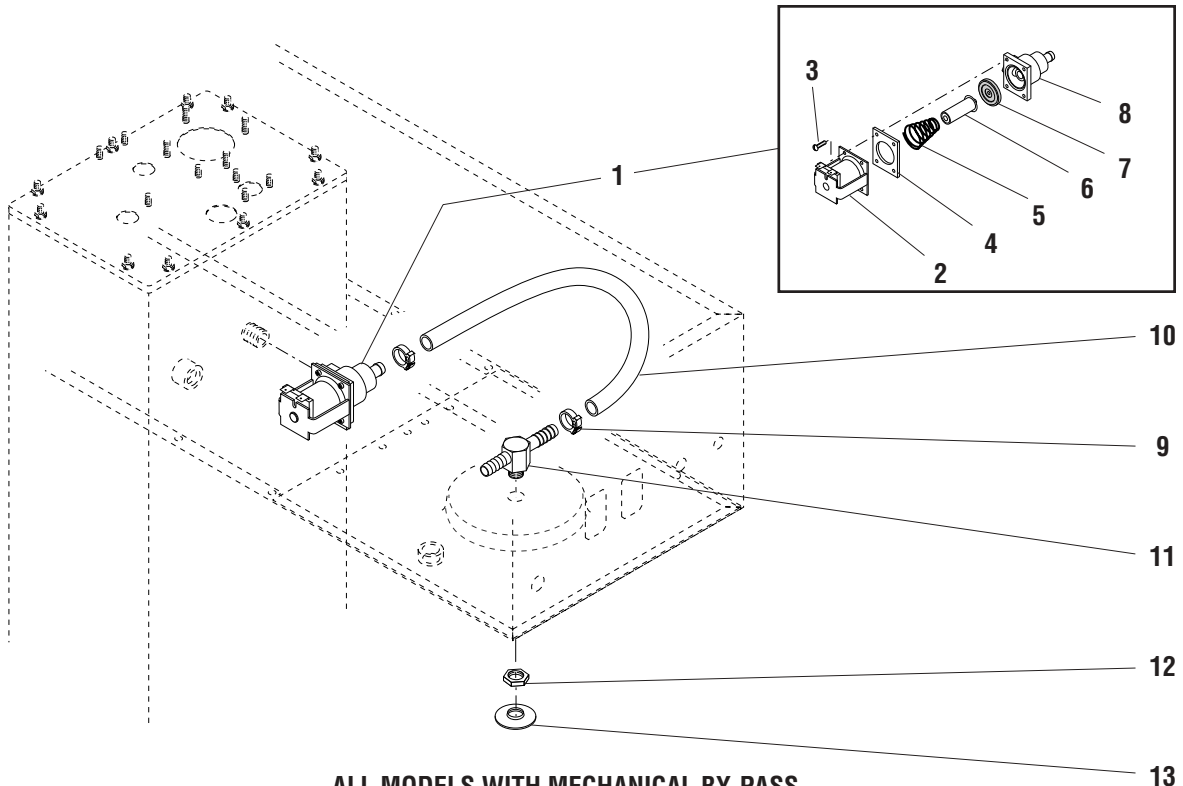
ELECTRO / MECHANICAL TYPE

P294

## WATER BY-PASS

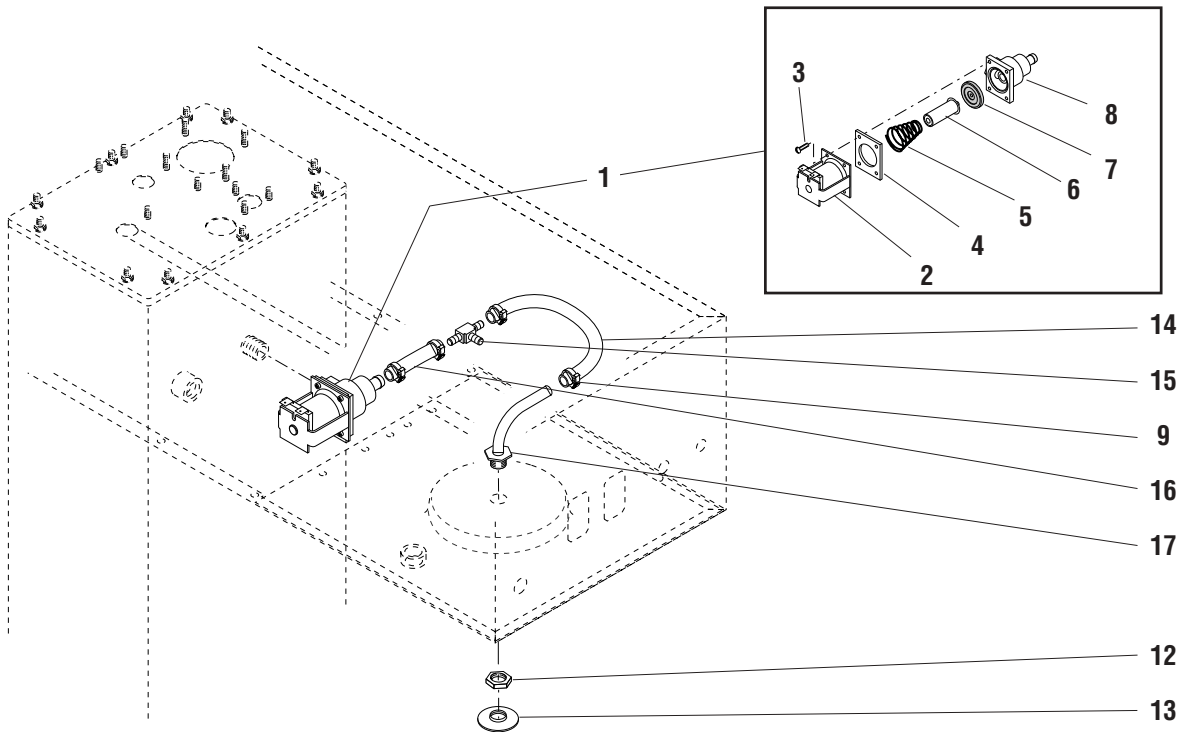
ITEM	PART NO.	QTY.	DESCRIPTION
1	20945.0001	1	Valve Assy, Needle By-Pass
2	-----	1	Tube, Silicone .25" I.D. x 2.60" (Order item 14)
3	23849.0000	1	By-Pass Valve Assy, 120V
	23849.0001	1	By-Pass Valve Assy, 200V
	23849.0002	1	By-Pass Valve Assy, 240V
			Includes items 4 thru 10
4	24298.0000	1	Coil Assy, By-Pass Valve 120V
	24298.0001	1	Coil Assy, By-Pass Valve 240V
	24298.0002	1	Coil Assy, By-Pass Valve 200V
5	23254.0000	4	Screw #8-32
6	23256.0000	1	Spacer Plate
7	-----	1	Spring (Not available separately order item 16)
8	-----	1	Plunger (Not available separately order item 16)
9	23255.0000	1	Diaphragm
10	-----	1	Body (Not available separately order item 3)
11	-----	1	Elbow (Models with First Type By-Pass. Order item 17 & Upper Component Bracket on page 13)
	20201.1601	1	Elbow, 90° .375" Barb x .25" MPT (Models with Second Type By-Pass)
12	-----	1	Tube, Silicone (Models with First Type By-Pass. Order item 17 & Upper Component Bracket on page 13)
	-----	1	Tube, Silicone .375" I.D. x .62" O.D. x 8.50" (Models with Second Type By-Pass. (Order item 15)
13	12422.0000	2	Clamp, Hose .47"/.54" I.D. (Use with .25" I.D. tube)
	12422.0001	2	Clamp, Hose .59"/.66" I.D. (Use with .375" I.D. tube)
14	11707.1000	1	Tube, Silicone .25" I.D. x 12.0"
	11707.1001	1	Tube, Silicone .25" I.D. x 36.0"
	11707.1002	1	Tube, Silicone .25" I.D. x 120.0"
15	20976.1000	1	Tube, Silicone .375" I.D. x 12.0"
	20976.1001	1	Tube, Silicone .375" I.D. x 36.0"
	20976.1002	1	Tube, Silicone .375" I.D. x 120.0"
16	11517.0008	-	Valve Repair Kit (Includes one each of items 7, 8 & 9)
17	26109.0000	-	Kit, Variable By-pass (Converts First Type Electro/Mechanical By-pass to Second Type)

Not Illustrated



ALL MODELS WITH MECHANICAL BY-PASS  
MODELS WITH FIRST TYPE ELECTRO/MECHANICAL BY-PASS

P295



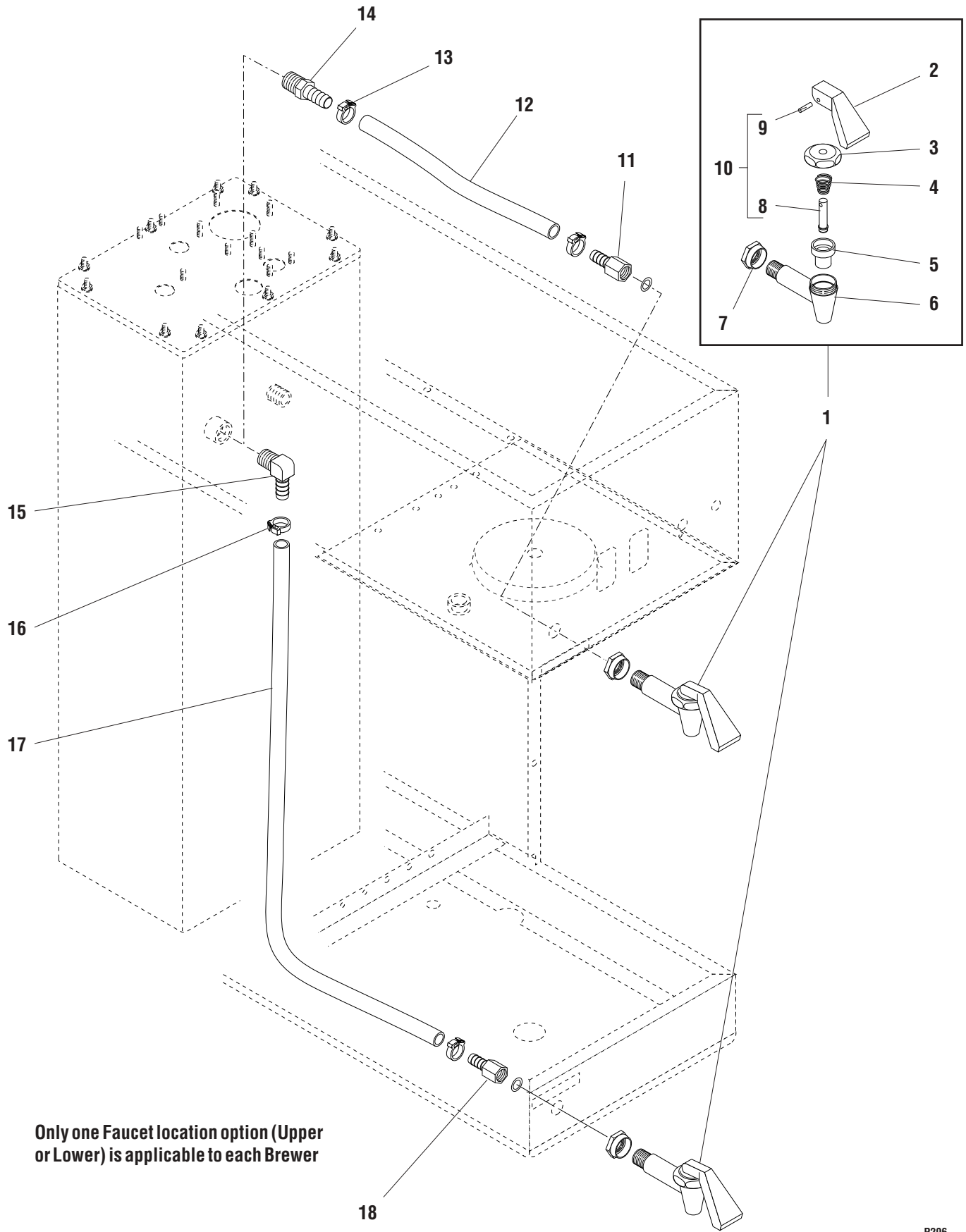
MODELS WITH SECOND TYPE ELECTRO/MECHANICAL BY-PASS

P719



## DISPENSE VALVE AND SPRAYHEAD

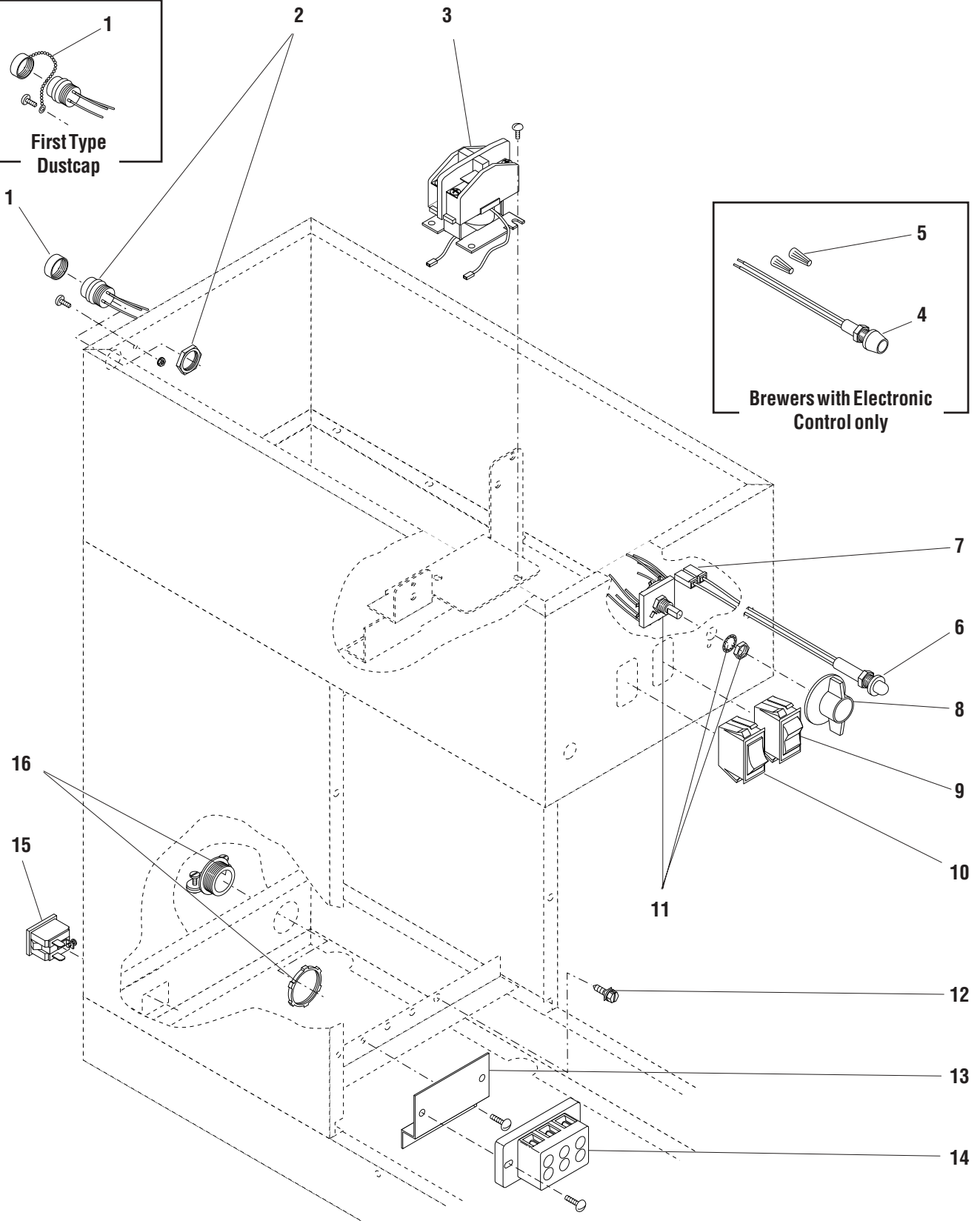
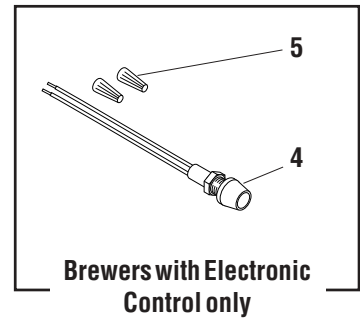
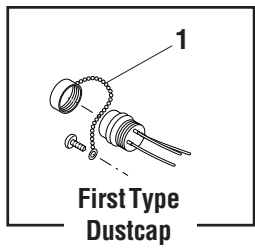
ITEM	PART NO.	QTY.	DESCRIPTION	
1	20933.0000	1	Dispensing Valve Assy, 120V	} Includes items 2 thru 8
	20933.0001	1	Dispensing Valve Assy, 200V	
	20933.0002	1	Dispensing Valve Assy, 240V	
2	22305.0000	1	Coil Assy, Dispensing Valve 120V	
	22305.0002	1	Coil Assy, Dispensing Valve 240V	
	22305.0003	1	Coil Assy, Dispensing Valve 200V	
3	23254.0000	4	Screw #8-32	
4	23256.0000	1	Spacer Plate	
5	-----	1	Spring (Not available separately order item 19)	
6	-----	1	Plunger (Not available separately order item 19)	
7	23255.0000	1	Diaphragm	
8	-----	1	Body (Not available separately order item 1)	
9	12422.0001	2	Clamp, Hose .59" x .66" I.D. (2 additional used on models with Second Type Electro/Mechanical by-pass)	
10	-----	1	Tube, Silicone .38" I.D. x .62" O.D. x 9.50" (Order item 18)	
11	20926.0000	1	Fitting Assy, Sprayhead (Mechanical Type By-Pass) (Shown)	
	-----	1	Fitting Assy, Sprayhead (Models with First Type Electro/Mechanical By-pass. Order item 20 & Upper Component Bracket on page 13)	
12	01075.0000	1	Nut, Hex .438" - 20	
13	01082.0002	1	Sprayhead	
14	-----	1	Tube, Silicone .38" I.D. x .62" O.D. x 6.50" (Order item 18)	} Models with Second Type Electro/Mechanical By-pass
15	06866.0000	1	Fitting, Tee .375" Barb	
16	-----	1	Tube, Silicone .38" I.D. x .62" O.D. x 2.25" (Order item 18)	
17	25647.0000	1	Tube, Sprayhead	
18	20976.1000	1	Tube, Silicone .38" I.D. x .62" O.D. x 12.0"	} Not illustrated
	20976.1001	1	Tube, Silicone .38" I.D. x .62" O.D. x 36.0"	
	20976.1002	1	Tube, Silicone .38" I.D. x .62" O.D. x 120.0"	
19	11517.0008	-	Valve Repair Kit (Includes one each of items 5, 6 & 7)	
20	26109.0000	-	Kit, Variable By-pass (Converts First Type Electro/Mechanical By-pass to Second Type)	



Only one Faucet location option (Upper or Lower) is applicable to each Brewer

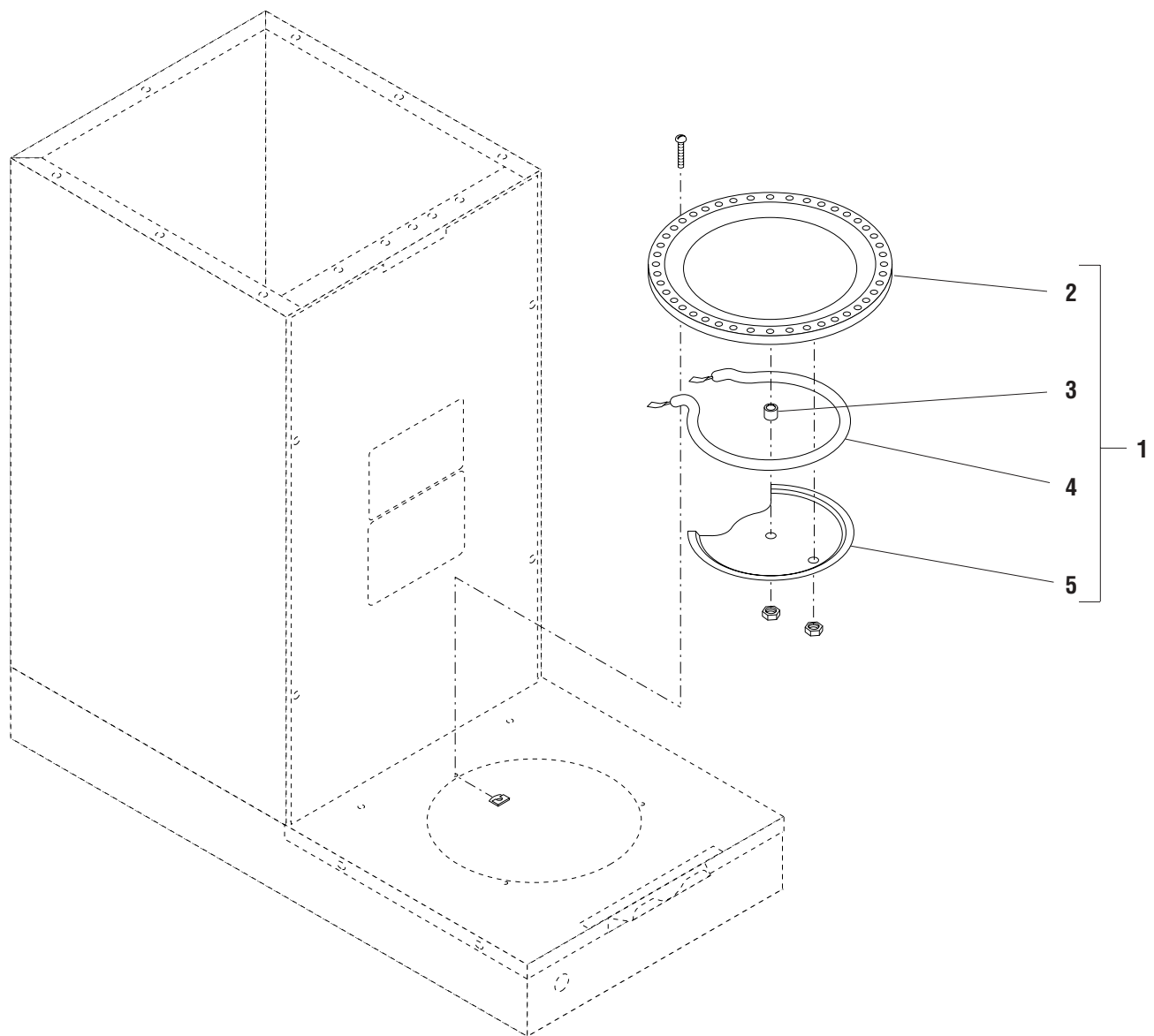
## FAUCET - UPPER AND LOWER

ITEM	PART NO.	QTY.	DESCRIPTION	
1	02596.1005	1	Faucet Assy (Includes items 2 thru 9)	
2	02861.0000	1	Handle, Faucet	
3	02854.0000	1	Bonnet, Faucet	
4	02595.0000	1	Spring, Faucet	
5	02766.0000	1	Seat Cup, Faucet	
6	02856.0002	1	Body, Faucet	
7	02850.0000	1	Jam Nut, Faucet	
8	02852.0000	1	Stem, Faucet	
9	02858.0000	1	Pin, Spring .125" Dia. x .50"	
10	02594.0000	1	Faucet Stem W/Pin (Includes items 8 & 9)	
11	12437.0000	1	Adapter, Barb	} Brewers With Upper Faucet Only
12	-----	1	Tube, Silicone .38" I.D. x .62" O.D. x 10.25" (Order item 19)	
13	12422.0001	2	Clamp, Hose .59"x .66" I.D.	
14	21136.0001	1	Fitting, Barb .375" x .25" MPT	} Brewers With Lower Faucet Only
15	20202.1601	1	Elbow, 90° .375" Barb x .25" MPT	
16	12422.0001	2	Clamp, Hose .59"x .66" I.D.	
17	-----	1	Tube, Silicone .38" I.D. x .62" O.D. x 30.0" (Order item 19)	} Not Illustrated
18	12437.0000	1	Adapter, Barb	
19	20976.1000	1	Tube, Silicone .38" I.D. x .62" O.D. x 12.0"	
	20976.1001	1	Tube, Silicone .38" I.D. x .62" O.D. x 36.0"	
	20976.1002	1	Tube, Silicone .38" I.D. x .62" O.D. x 120.0"	



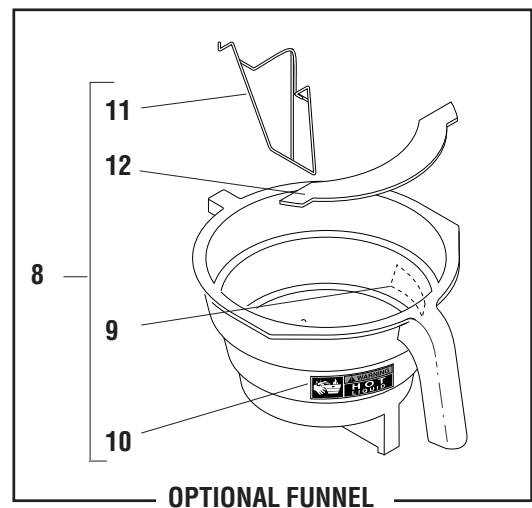
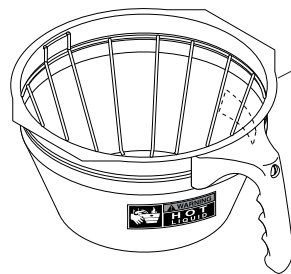
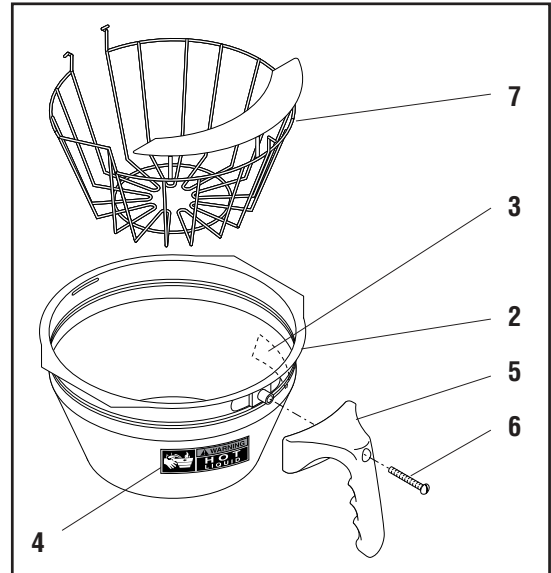
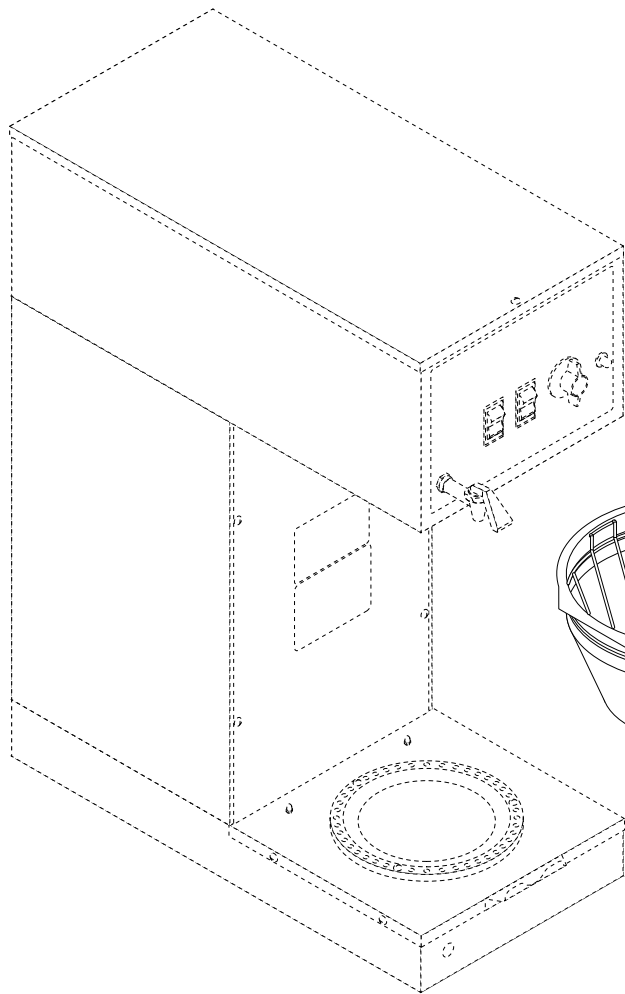
## ELECTRICAL CONTROLS & READY LIGHT

ITEM	PART NO.	QTY.	DESCRIPTION	
1	-----	1	Dustcap W/Chain (First Type. Not available, order second type Dustcap)	
	27657.0000	1	Dustcap, Socket (Second Type)	
	01382.0000	1	Screw, Truss Head #6-32 x .375"	
	00973.0000	1	Nut, Keps #6-32	
2	12274.0002	1	Socket Assy W/Leads, Interface	
3	06335.0000	1	Contactor Assy, 120V Coil	} Brewers with Mechanical Thermostat only
	06335.0002	1	Contactor Assy, 240V Coil	
	01327.0000	2	Screw, Pan Head #10-32 x .375"	
4	12517.0002	1	Ready Light Replacement Kit (Includes item 5)	} Brewers with Electronic Control only
	25292.0000	1	Lockwasher M6	
	34130.0000	1	Nut M6	
5	03851.0000	2	Wire Nut, 2 - 22AWG	
6	12984.0002	1	Light Assy, 120V (Includes item 7)	
	12984.0004	1	Light Assy, 240V (Includes item 7)	
7	04243.0000	2	Terminal Housing, Receptacle	
8	12246.0000	1	Knob, Rotary Switch	
9	02753.0000	1	Switch, On/Off 120V	
	02754.0000	1	Switch, On/Off 240V	
10	02628.0000	1	Switch, Momentary- Start	
11	20969.0000	1	Switch Assy, Rotary (Mechanical Valve By-Pass)	
	20969.0001	1	Switch Assy, Rotary (Electro/Mechanical Valve By-Pass)	
12	01309.0000	1	Ground Screw W/Terminal Washer #10-32 x .50"	
13	23004.0000	1	Bracket, Terminal Block Mounting	
	02308.0000	2	Screw, Pan Head #8-32 x .375"	
14	07038.0000	1	Terminal Block, 3 Pole (120/240V) (Shown)	
	01106.0000	1	Terminal Block, 2 Pole (120V)	
	01106.0001	1	Terminal Block, 2 Pole (200/240V)	
	01317.0000	2	Screw, Truss Head #8-32 x .375"	
15	03628.0000	1	Receptacle, Grounded (Not used on 200V or 230V Brewers)	
16	01590.0000	1	Connector, Cable	
17	23354.0000	1	Wiring Harness, Main (120/240V Mech. Thermostat)	} Not Illustrated
	23354.0001	1	Wiring Harness, Main (120V Mech. Thermostat)	
	23354.0002	1	Wiring Harness, Main (120/240V Electronic Control)	
	23354.0003	1	Wiring Harness, Main (120V Electronic Control)	
	23354.0004	1	Wiring Harness, Main (200/240V Mech. Thermostat)	
	23354.0005	1	Wiring Harness, Main (200/240V Electronic Control)	
18	23378.0000	1	Wiring Harness, Contactor (200/240V)	
	23378.0001	1	Wiring Harness, Contactor (120V)	



## WARMER ASSEMBLY

ITEM	PART NO.	QTY.	DESCRIPTION
1	03652.0000	1	Warmer Assy, Blk 100W 120V (Includes items 2 thru 5)
	02817.0000	1	Warmer Assy, Blk 100W 220V (Includes items 2 thru 5)
	01303.0000	3	Screw, Pan Head #4-40 x .50"
	00916.0000	3	Clip, J-Type #4-40
2	03656.0000	1	Warmer Dish, Blk - 45 Hole
3	13042.0001	1	Spacer .174" I.D. x .188"
4	01227.0000	1	Warmer Element, 100W 120V
	01951.0000	1	Warmer Element, 100W 220V
5	05212.0000	1	Plate, Warmer Retainer
	00970.0000	2	Nut, Keps #8-32





## FUNNELS

ITEM	PART NO.	QTY.	DESCRIPTION
1	20201.1201	1	Funnel Assy, SST (Includes Items 2 thru 7)
2	24462.0000	1	Funnel W/Decals (Includes items 3 & 4)
3	03408.0000	1	Decal, Caution-Remove Funnel
4	03409.0000	1	Decal, Caution-Hot Liquid
5	20201.1100	1	Handle, Funnel-Black
6	12499.0000	1	Screw, Round Head .25" - 20 x 1.50"
7	----- 33089.0000	1 1	Filter Basket (First Type. Not available, order Second Type) Filter Basket w/Splash Guard (Second Type)
8	22735.0000	1	Funnel Assy, Plastic-Black (Includes items 9, 10, 11 & 12)
9	03408.0000	1	Decal, Caution-Remove Funnel
10	03409.0000	1	Decal, Caution-Hot Liquid
11	21911.0000	1	Funnel Adapter, Water By-Pass
12	32965.0000	1	Splash Guard

## NUMERICAL INDEX

PART NO.	PAGE NO.	PART NO.	PAGE NO.	PART NO.	PAGE NO.	PART NO.	PAGE NO.
00310.0002	19	02308.0000		11707.1002	23	21180.0000	19
00400.0001	19		5,7,9,11,13,17,19,29	12246.0000	29	21181.0000	19
00445.0001	21	02324.0000	5	12274.0002	29	21812.0007	19
00459.0001	19	02328.0003	15	12305.1000	15	21911.0000	33
00463.0000	19	02336.0000	5	12322.1000	15	22249.0000	19,21
00502.0000	5	02536.0000	15	12364.0000	5	22267.0002	21
00619.0002	11,13	02594.0000	27	12398.0002	15	22300.0330	19
00619.0005	5	02595.0000	27	12422.0000	15,23	22305.0000	25
00619.0007	5	02596.1005	27	12422.0001	23,25,27	22305.0002	25
00619.0008	5	02620.1040	7,11	12437.0000	27	22305.0003	25
00656.0000	5	02620.1041	7,11	12499.0000	33	22307.0330	19
00658.0000	5	02628.0000	29	12517.0002	29	22735.0000	33
00720.0000	7,9	02753.0000	29	12524.1000	15	22976.0000	17
00831.0000	5	02754.0000	29	12527.0001	15	22978.0000	17
00908.0000	15,17,19	02766.0000	27	12552.0000	15	22979.0000	5
00916.0000	31	02817.0000	31	12559.0000	11,13	22992.0001	19
00946.0000	15	02822.0000	5	12560.0018	11,13	23004.0000	29
00965.0000	15	02850.0000	27	12560.0019	11,13	23015.0000	19
00970.0000	31	02852.0000	27	12561.0000	15	23024.0000	5
00971.0000	15,17	02854.0000	27	12565.0002	15	23024.0001	5
00973.0000	29	02856.0002	27	12570.0000	11,13	23024.0002	5
01075.0000	25	02858.0000	27	12984.0002	29	23024.0003	5
01079.0000	19	02861.0000	27	12984.0004	29	23193.0000	17
01082.0002	25	03011.0000	5	13042.0001	31	23254.0000	23,25
01085.0002	19	03236.1001	15	20201.1100	33	23255.0000	23,25
01100.0000	19	03359.0000	5	20201.1201	33	23256.0000	23,25
01101.0000	19	03408.0000	33	20201.1601	23	23324.1000	17
01106.0000	29	03409.0000	33	20201.5600	5	23354.0000	29
01106.0001	29	03628.0000	29	20201.6001	17	23354.0001	29
01111.0000	19	03633.0000	15	20202.1601	27	23354.0002	29
01111.0002	19	03652.0000	31	20203.0100	15	23354.0003	29
01116.0000	19	03656.0000	31	20229.1000	15	23354.0004	29
01154.0000	19	03803.0000	15	20526.0330	19	23354.0005	29
01155.0000	19,21	03807.0000	15	20526.1330	19	23378.0000	29
01227.0000	31	03851.0000	29	20528.0330	19	23378.0001	29
01303.0000	31	04243.0000	29	20762.0000	7,9	23416.0000	5
01309.0000	29	04314.0001	7,9	20922.1000	15	23416.0001	5
01311.0000	5	04572.0002	21	20922.1003	15	23416.0002	5
01315.0000	17	04786.0002	11,13	20926.0000	25	23417.0000	5
01317.0000	29	05212.0000	31	20930.0000	15	23417.0001	5
01327.0000	19,29	05515.0000	19	20932.0000	17	23417.0002	5
01347.0000	7,9,11,13	06335.0000	29	20933.0000	25	23417.0003	5
01382.0000	5,29	06335.0002	29	20933.0001	25	23418.0000	5
01388.0000	7,9,11,13	06866.0000	25	20933.0002	25	23419.0000	5
01501.0000	15	07038.0000	29	20936.1000	13	23419.0001	5
01502.0000	19	07073.0000	7,9	20945.0001	23	23440.0000	5
01510.0000	7,9,11,13	07074.1026	7,9	20948.0001	7,9,11,13	23721.0000	19,21
01511.0000	7,9	07074.1027	7,9	20969.0000	29	23820.1000	21
01520.0000	15	10044.0000	5	20969.0001	29	23849.0000	23
01532.0000	19	10697.0000	5	20976.1000	23,25,27	23849.0001	23
01533.0000	7,9,11,13	10706.0000	5	20976.1001	23,25,27	23849.0002	23
01590.0000	29	11517.0008	23,25	20976.1002	23,25,27	24298.0000	23
01951.0000	31	11707.1000	23	21122.0000	11,13	24298.0001	23
01975.0000	19	11707.1001	23	21136.0001	27	24298.0002	23

# NUMERICAL INDEX

PART NO.	PAGE NO.	PART NO.	PAGE NO.	PART NO.	PAGE NO.	PART NO.	PAGE NO.
24462.0000	33						
24486.1000	9,13						
24486.1001	9,13						
25151.0000	5						
25160.0000	19						
25292.0000	29						
25647.0000	25						
25766.0000	5						
26109.0000	23,25						
27657.0000	29						
28377.0000	7,9						
28479.0000	19						
28480.0000	19						
28481.0000	19						
29329.1000	15						
32400.0002	7,9,11,13						
32400.0003	7,9,11,13						
32540.0000	5						
32965.0000	33						
33089.0000	33						
34130.0000	29						
M2522.0000	15						