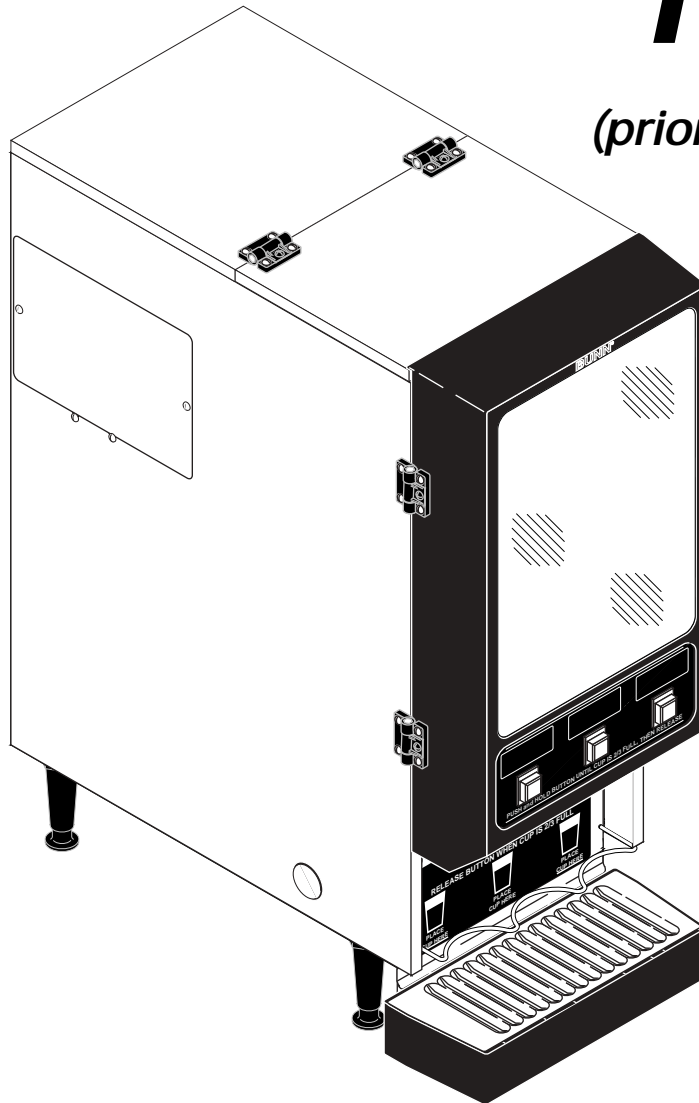


# BUNN®

# FMD-2

# FMD-3

*(prior to S/N FMD0013000)*



## ILLUSTRATED PARTS CATALOG

Designs, materials, weights, specifications, and dimensions for equipment or replacement parts are subject to change without notice.

**BUNN-O-MATIC CORPORATION**

POST OFFICE BOX 3227

SPRINGFIELD, ILLINOIS 62708-3227

PHONE: (217) 529-6601 FAX: (217) 529-6644

## **WARRANTY**

Bunn-O-Matic Corp. ("Bunn") warrants the equipment manufactured by it to be commercially free from defects in material and workmanship existing at the time of manufacture and appearing within one year from the date of installation. In addition:

1.) Bunn warrants electronic circuit and/or control boards to be commercially free from defects in material and workmanship for two years from the date of installation.

2.) Bunn warrants the compressor on refrigeration equipment to be commercially free from defects in material and workmanship for two years from the date of installation.

3.) Bunn warrants that the grinding burrs on coffee grinding equipment will grind coffee to meet original factory screen sieve analysis for three years from date of installation or for 30,000 pounds of coffee, whichever comes first.

This warranty does not apply to any equipment, component or part that was not manufactured by Bunn or that, in Bunn's judgement, has been affected by misuse, neglect, alteration, improper installation or operation, improper maintenance or repair, damage or casualty.

**THE FOREGOING WARRANTY IS EXCLUSIVE AND IS IN LIEU OF ANY OTHER WARRANTY, WRITTEN OR ORAL, EXPRESS OR IMPLIED, INCLUDING, BUT NOT LIMITED TO, ANY IMPLIED WARRANTY OF EITHER MERCHANTABILITY OR FITNESS FOR A PARTICULAR PURPOSE.** The agents, dealers or employees of Bunn are not authorized to make modifications to this warranty or to make additional warranties that are binding on Bunn. Accordingly, statements by such individuals, whether oral or written, do not constitute warranties and should not be relied upon.

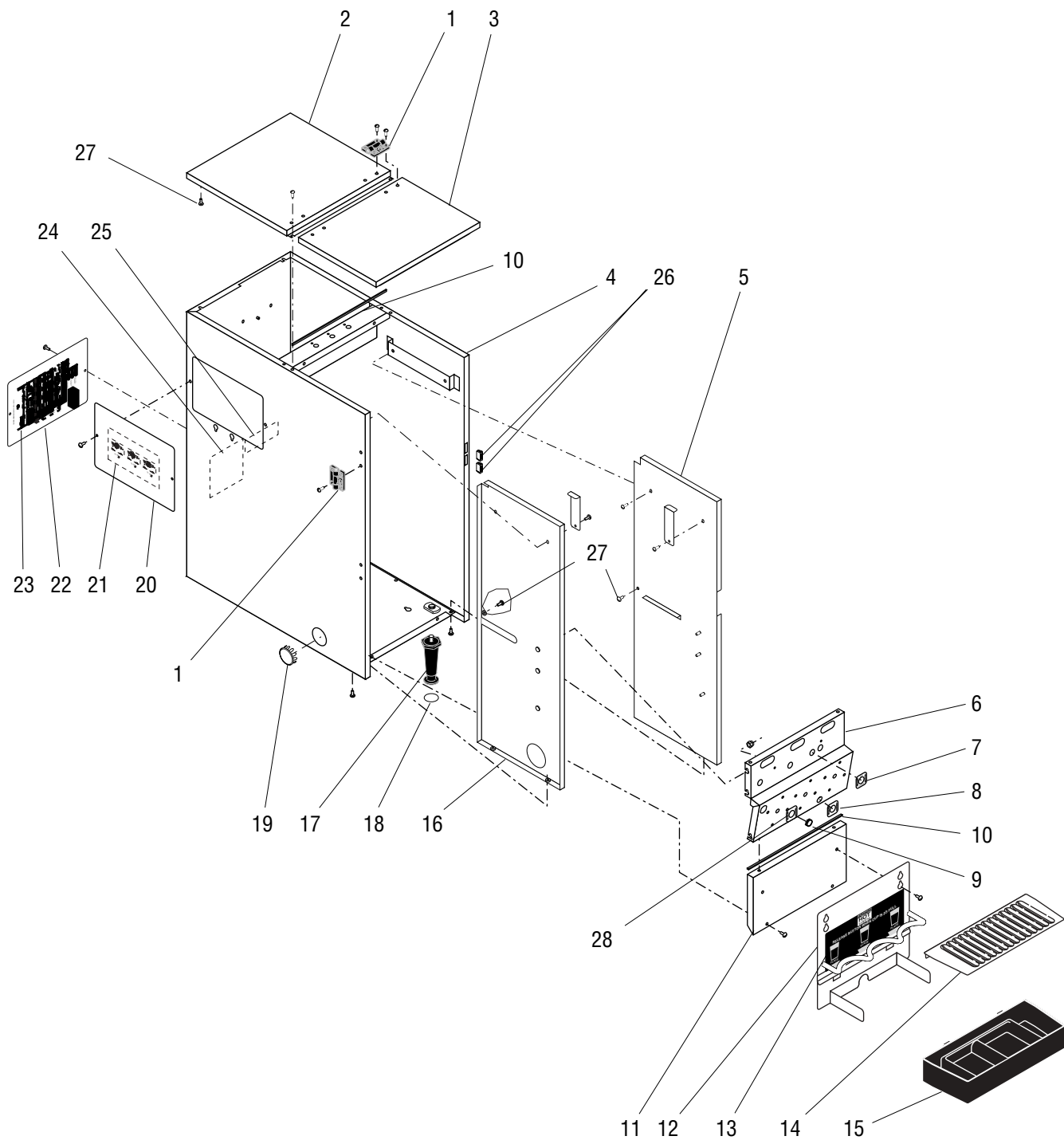
The Buyer shall give Bunn prompt notice of any claim to be made under this warranty by telephone at (217) 529-6601 or by writing to Post Office Box 3227, Springfield, Illinois, 62708-3227. If requested by Bunn, the Buyer shall ship the defective equipment prepaid to an authorized Bunn service location. If Bunn determines, in its sole discretion, that the equipment does not conform to the warranty, Bunn shall repair the equipment with no charge for parts during the warranty period and no charge for labor by a Bunn Authorized Service Representative during the warranty period. If Bunn determines that repair is not feasible, Bunn shall, at its sole option, replace the equipment or refund the purchase price for the equipment.

**THE BUYER'S REMEDY AGAINST BUNN FOR THE BREACH OF ANY OBLIGATION ARISING OUT OF THE SALE OF THIS EQUIPMENT, WHETHER DERIVED FROM WARRANTY OR OTHERWISE, SHALL BE LIMITED, AS SPECIFIED HEREIN, TO REPAIR OR, AT BUNN'S SOLE OPTION, REPLACEMENT OR REFUND.**

In no event shall Bunn be liable for any other damage or loss, including, but not limited to, lost profits, lost sales, loss of use of equipment, claims of Buyer's customers, cost of capital, cost of down time, cost of substitute equipment, facilities or services, or any other special, incidental or consequential damages.

# TABLE OF CONTENTS

TITLE	PAGE NO.
Auger Drive and Hopper Assembly .....	10
Covers, Panels and Drip Tray .....	4
Dispense Valves and Lines .....	18
Door, Lamp, Dispense Switches and Panels .....	8
Electrical Controls .....	20
Mixing/Whipper Chambers and Drive Motor .....	12
Numerical Index .....	24
Strainer, Solenoid, Fill Valve and Lines .....	16
Tank, Heater and Overflow Protection .....	14

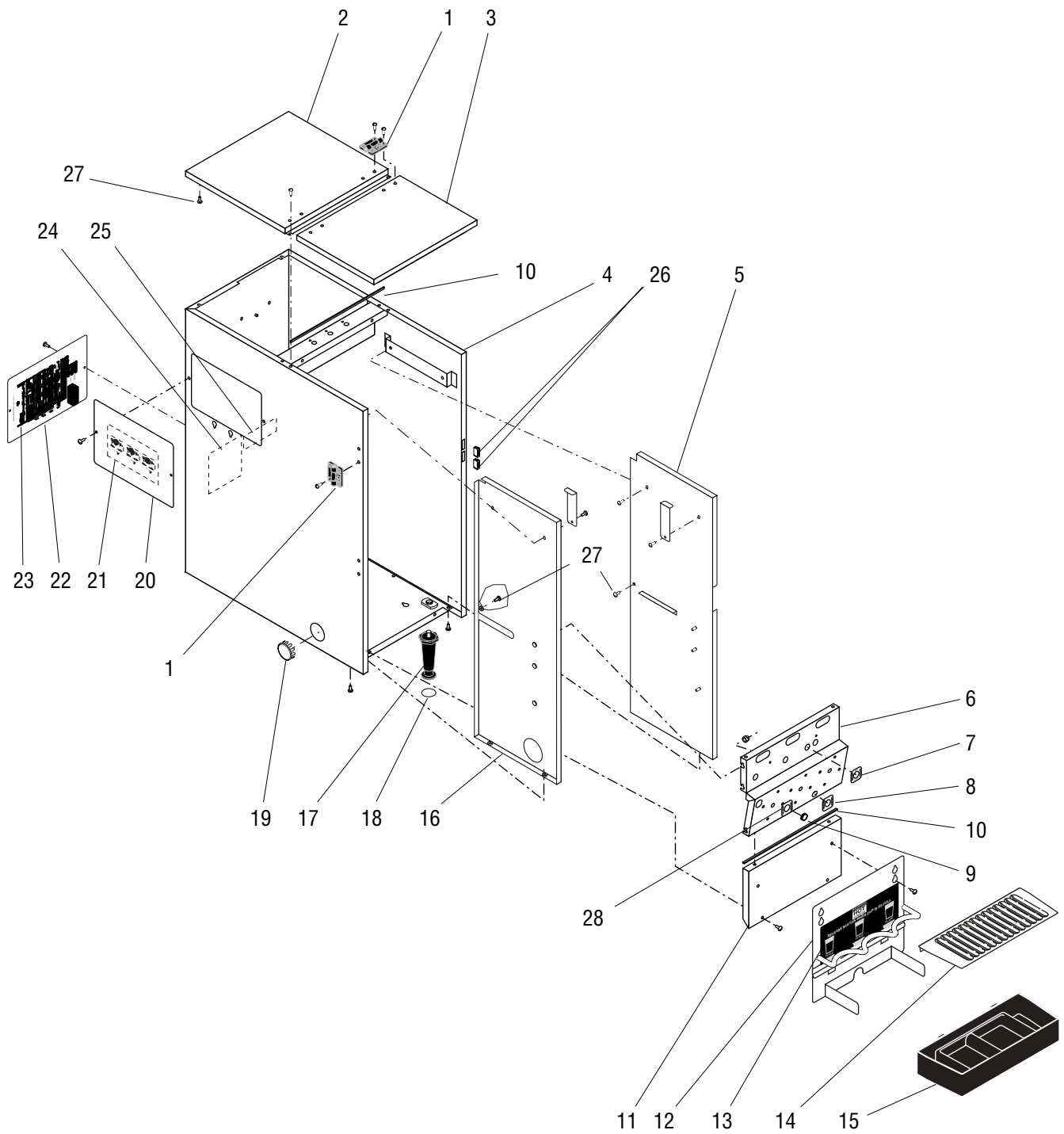


## COVERS, PANELS AND DRIP TRAY

ITEM	PART NO.	QTY.	DESCRIPTION
1	26504.0000	4	Hinge
	02308.0000	12	Screw, Pan Head #8-32 x .375"
2	28299.0000	1	Cover, Top Rear - BLK
	28671.0000	1	Cover, Top Rear - SST
	02308.0000	2	Screw, Pan Head #8-32 x .375"
3	28204.0000	1	Cover, Top Front - BLK
	28670.0000	1	Cover, Top Front - SST
4	28209.1000	1	Housing W/Decals - BLK (Includes items 24 & 25)
	28661.1000	1	Housing W/Decals - SST (Includes items 24 & 25)
5	28269.0001	1	Panel, Right
	01311.0001	4	Screw, Truss Head - Locking #8-32 x .25"
6	28270.0000	1	Panel, Whipper Motor Mounting (Also order items 7, 8, 9 - dispensers w/out cold water option & 28 dispensers w/cold water option)
	00991.0000	6	Nut, Elastic Lock #8-32
7	26524.0000	1	Decal, Tank Heater Switch
8	26523.0000	1	Decal, Rinse/Run Switch
9	00619.0010	1	Plug, Hole .437" Dia (Not used on dispensers w/cold water option)
10	-----	2	Gasket, Foam W/Adhesive 10.1" LG (Order item 29)
11	28283.0000	1	Panel, Lower Front Access
	01311.0000	2	Screw, Truss Head #8-32 x .25"
12	28436.0000	1	Panel W/Decal, Splash (Includes item 13)(FMD-3 Models)
	28436.0001	1	Panel W/Decal, Splash (Includes item 13)(FMD-2 Models)
	01311.0000	2	Screw, Truss Head #8-32 x .25"
13	28328.0000	1	Decal, Caution-Hot Liquid & Cup Placement (FMD-3 Models)(Shown)
	28328.0003	1	Decal, Caution-Hot Liquid & Cup Placement (FMD-2 Models)
14	28267.0000	1	Cover, Drip Tray
15	28268.0000	1	Drip Tray Assembly
16	28269.0000	1	Panel, Left
	01311.0001	4	Screw, Truss Head - Locking #8-32 x .25"
17	26528.0000	4	Leg, 4.0" Adjustable (Also see item 30)
18	03996.0000	4	Pad, Rubber 1.25" Dia. (Also see item 30)
19	23164.0002	1	Plug, Hole 1.50" Dia. - BLK
	00619.0011	1	Plug, Hole 1.50" Dia - SST
20	28206.0000	1	Cover, Left Side Access - BLK (Also order item 21)
	28668.0000	1	Cover, Left Side Access - SST (Also order item 21)
	01311.0003	2	Screw, Truss Head - BLK #8-32 x .25"
	01311.0000	2	Screw, Truss Head - SST #8-32 x .25"
21	28368.0000	1	Decal, Thermostat Adjustment

(Continued)

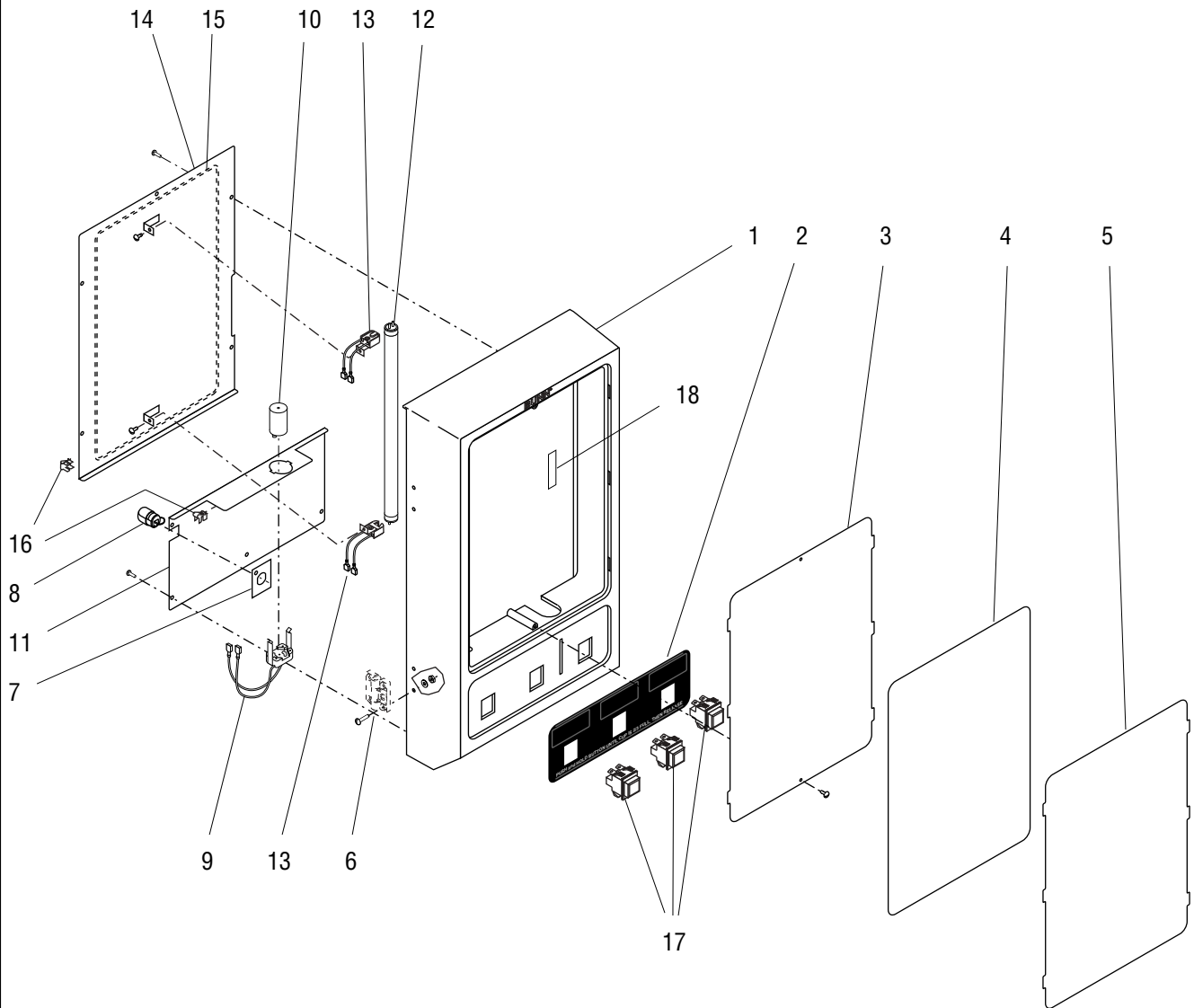
(Continued)



## COVERS, PANELS AND DRIP TRAY

ITEM	PART NO.	QTY.	DESCRIPTION
22	28435.0000	1	Cover, Rear Access - BLK (Includes item 23)
	28684.0000	1	Cover, Rear Access - SST (Includes item 23)
	01311.0003	2	Screw, Truss Head - BLK #8-32 x .25"
	01311.0000	2	Screw, Truss Head - SST #8-32 x .25"
23	28341.0000	1	Schematic, 120V, 120/208V & 120/240V
24	00831.0000	1	Decal, Warning-Electrical
25	00656.0000	1	Decal, Comply to Plumbing Code
26	21436.0000	2	Catch, Magnetic
27	01311.0001	4	Screw, Truss Head - Locking #8-32 x .375"
28	26522.0000	1	Decal - HOT/COLD (Models w/cold water option)
29	28366.1000	-	Gasket, Foam W/Adhesive - 12" LG
	28366.1001	-	Gasket, Foam W/Adhesive - 36" LG
	28366.1002	-	Gasket, Foam W/Adhesive - 120" LG
30	13255.0003	-	Kit, Leg 4.0" Adjustable (Includes 4 each of items 17 & 18)

Not  
Illustrated

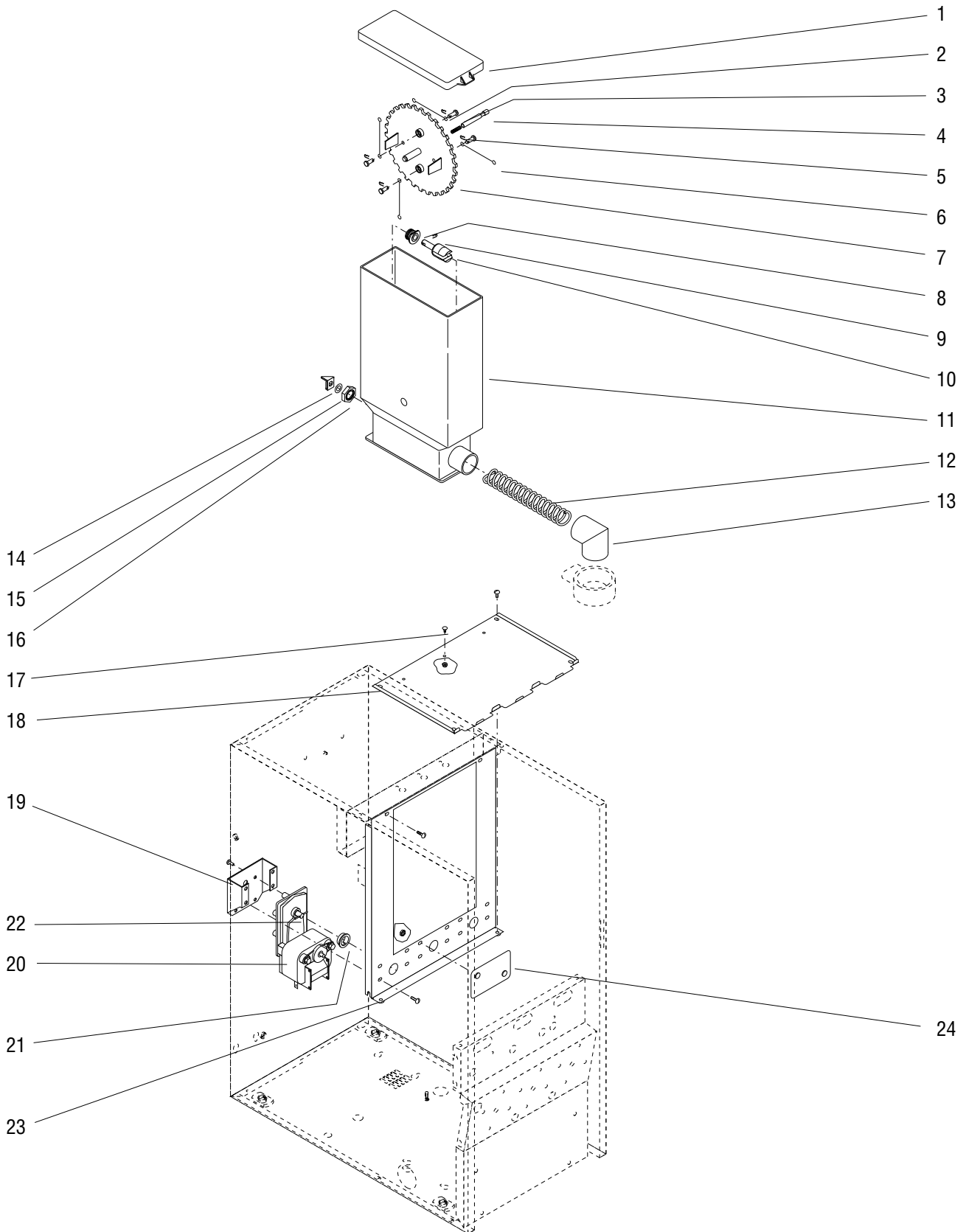




## DOOR, LAMP, DISPENSE SWITCHES AND PANELS

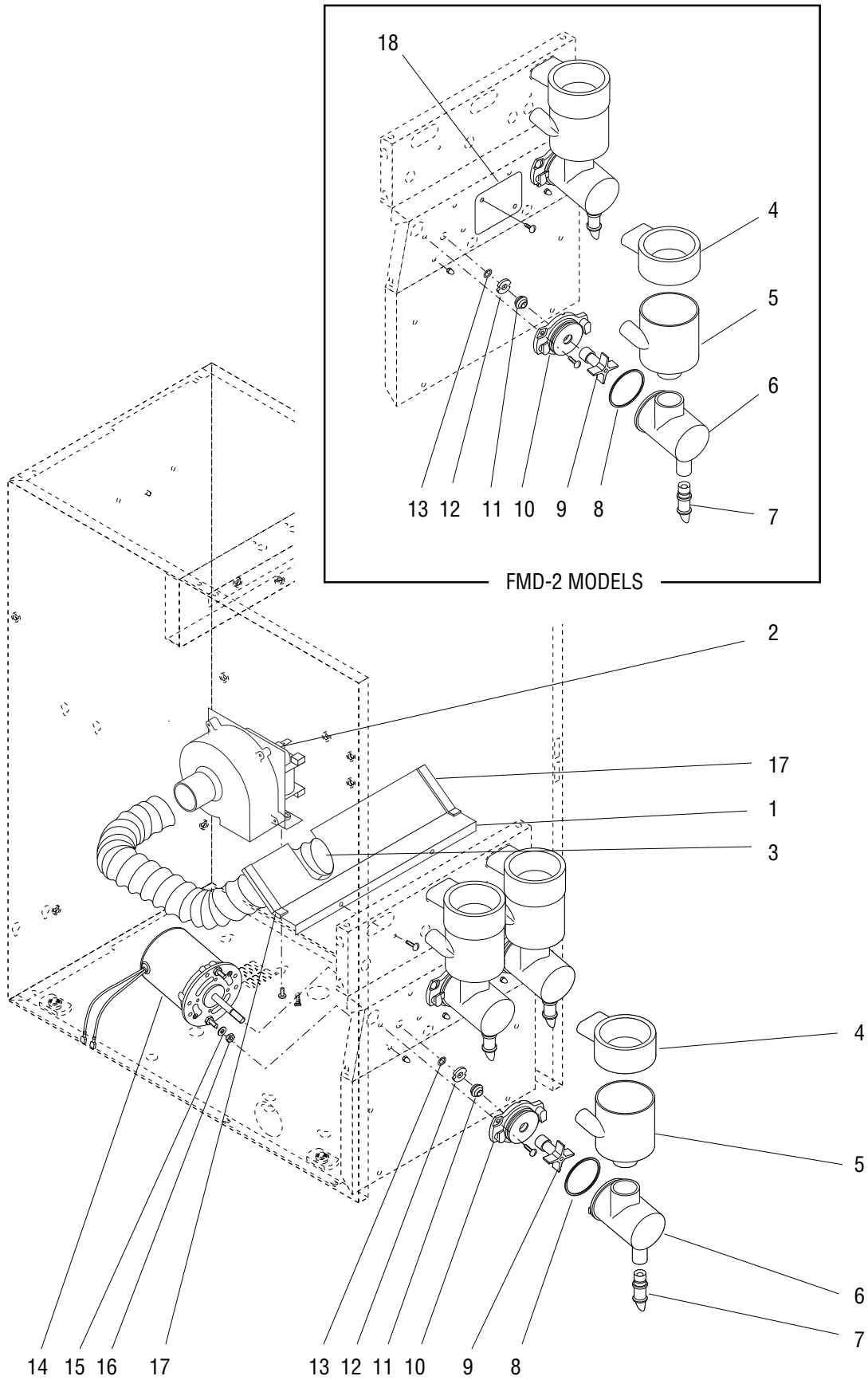
ITEM	PART NO.	QTY.	DESCRIPTION
1	28147.1000	1	Door W/Decal (Includes items 2 and 18)(FMD-3 Models)
	28147.1002	1	Door W/Decal (Includes items 2 and 18)(FMD-2 Models)
	01390.0000	4	Screw, Round Head #8-32 x .625"
	01522.0000	4	Washer, Flat .203 I.D. x .50 O.D."
	00991.0000	4	Nut, Elastic Stop #8-32
2	28301.0000	1	Decal, Door Front (FMD-3 Models)
	28301.0002	1	Decal, Door Front (FMD-2 Models)
3	28284.0001	1	Window, Door - Inside
	02336.0000	2	Screw, Truss Head #4-40 x .375"
4	28362.0000	1	Display, Graphics (Cafe Scene)
5	28284.0000	1	Window, Door - Outside
6	-----	1	Hinge, Door (See Covers, Panels and Drip Tray)
7	26892.0000	1	Plate, Strain Relief
8	26444.0000	2	Bushing, Strain Relief
9	28325.0000	1	Socket W/Terminals, Starter
10	27619.0000	1	Starter, Lamp
11	28261.0000	1	Panel, Door - Lower
	01383.0001	5	Screw, Pan Head #6-32 x .375"
12	26239.0000	1	Lamp, Fluorescent - 8 Watts
13	28322.0000	2	Lamp Holder, Fluorescent
	02328.0002	2	Screw, Pan Head #6 - 32 x .188"
14	28332.1000	1	Panel W/Decal, Door - Upper (Includes item 15)
	01383.0001	5	Screw, Truss Head #6 - 32 x .25"
15	28370.0000	1	Decal, Cleaning
16	28335.0000	2	Clip, Ground
17	28296.0000	3	Switch Assembly, Dispense (One less used on FMD-2 Models)
18	27298.0000	1	Striker Assy.
19	21004.0192	1	Lead, Electrical 18AWG Green - 11.5" Lg
20	28338.0000	1	Wiring Harness, Door Interconnect 120V (Includes item 7 & 1 of item 8)
21	28336.0000	1	Wiring Harness, Door 120V
22	26537.0000	1	Decal, Flavors (Almond Amaretto, Cappuccino, French Vanilla, Hazelnut, Hot Chocolate and Raspberry Mocha)
	26537.0001	1	Decal, Flavors (Swiss Mocha, Mocha, Raspberry Vanilla, Irish Creme, Coffee and Original)
	26537.0003	1	Decal, Flavors (White Chocolate, Cinnamon Vanilla Nut, Decaf, Regular, French Vanilla and Hot Chocolate)
	26537.0007	1	Decal, Flavors (Fat Free French Vanilla, Cinnamon Vanilla, Cinnamon Vanilla Nut, English Toffee, Hot Chocolate and Apple Cider)

Not  
illustrated



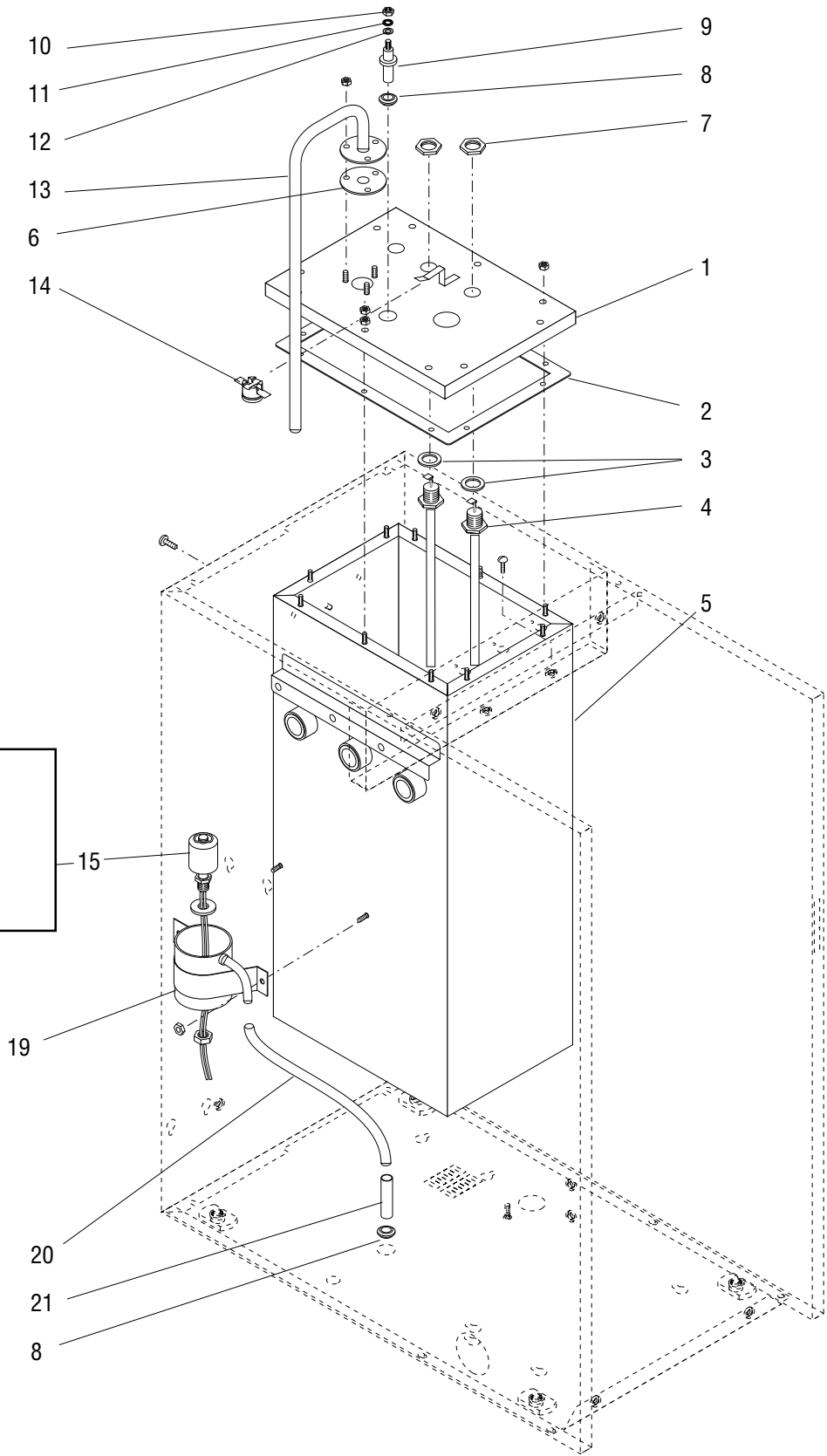
## AUGER DRIVE AND HOPPER ASSEMBLY

ITEM	PART NO.	QTY.		DESCRIPTION
				*FMD-2 **FMD-3
		*	**	
-	28424.1000	2	3	Hopper Assy (22 Tooth Agitator Disk)(Includes items 1 thru 16)
1	28061.0000	1	1	Lid, Hopper
2	21358.0000	4	4	Clip, Retainer
3	21357.0000	4	4	Shaft, Wiper
4	26436.0000	1	1	Rod, Agitator Support
5	26449.0000	1	1	Spring
6	26441.0000	4	4	Wire, Agitator
7	26435.0000	1	1	Disk, Agitator (22 Tooth)
8	28067.0000	1	1	Bushing, Auger Drive Shaft
9	21358.0000	1	1	Clip, Retainer
10	26940.0000	1	1	Shaft, Auger Drive
11	28425.0000	1	1	Hopper
12	26112.0001	1	1	Auger, Wire
13	25903.0000	1	1	Elbow, Ejector
14	25744.0000	1	1	Bracket, Auger Drive
15	21365.0000	1	1	Washer, .31" I.D. x .56" O.D.
16	25743.0000	1	1	Locknut
17	20960.0000	2	3	Screw, Shoulder #6-32 x .375"
	00991.0002	2	3	Nut, Elastic Lock #6-32
	01308.0000	1	0	Screw, Truss Head, #6-32 x .25"
	00973.0000	1	0	Nut, Keps #6-32
18	28333.0000	1	1	Panel, Hopper Support
	01311.0000	4	4	Screw, Truss Head #8-32 x .25"
19	25794.0000	2	3	Bracket, Motor Mounting
	01311.0001	8	12	Screw, Truss Head #8-32 x .25" Locking
20	26754.0000	2	3	Gearmotor W/Pin, Auger 120V (Includes item 22)
	01311.0000	8	12	Screw, Truss Head #8-32 x .25"
21	26401.0000	2	3	Dust Seal, Hopper Motor
22	26247.0000	2	3	Pin, Spring .094" Dia. x 1.0"
23	28286.0000	1	1	Panel, Hopper Motor Mounting
	01311.0001	2	2	Screw, Truss Head - Locking #8-32 x .25"
24	26496.0000	1	-	Plate, Hopper Motor
	00970.0000	2	-	Nut, Keps #8-32



## MIXING/WHIPPER CHAMBERS AND DRIVE MOTOR

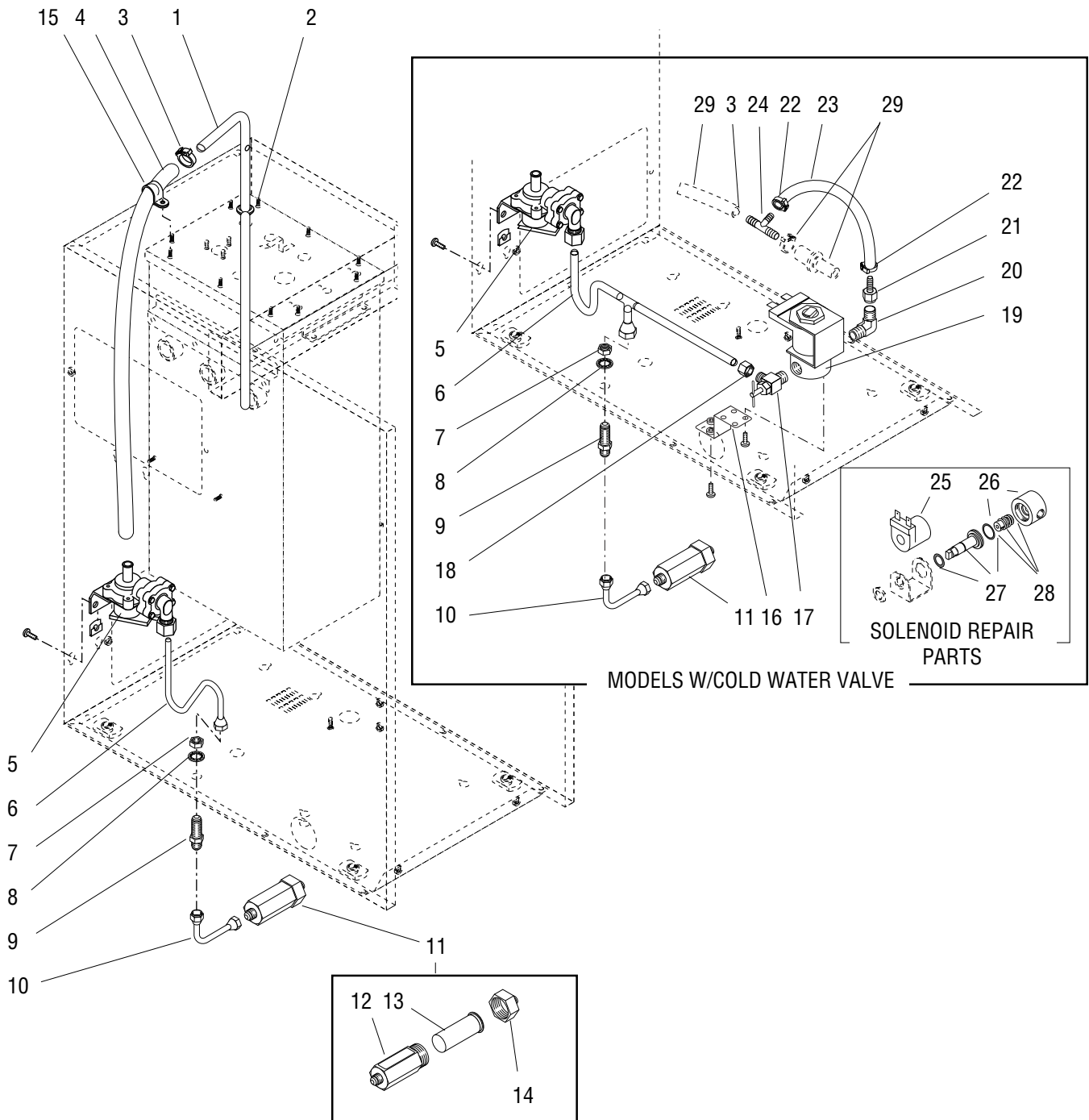
ITEM	PART NO.	QTY.		DESCRIPTION
				*FMD-2
				**FMD-3
		*	**	
1	28208.1000	1	1	Baffle Assembly, Fan (Includes item 17)
	02336.0000	2	2	Screw, Truss Head #4-40 x .25"
2	28295.0000	1	1	Fan & Bracket Assembly 120V
	28295.0001	1	1	Fan & Bracket Assembly 220V
	01311.0001	2	2	Screw, Truss Head - Locking #8-32 x .25"
3	28297.0000	1	1	Hose, Vacuum
4	25732.0000	2	3	Steam Collector
5	25733.0000	2	3	Mixing Chamber
6	25734.0000	2	3	Whipper Chamber
7	25736.0000	2	3	Dispense Tip
8	24733.0010	2	3	O-Ring
9	25902.0000	2	3	Frother
10	26359.0000	2	3	Receptacle, Whipper Chamber
	02328.0003	4	6	Screw, Pan Head #6-32 x .312"
11	26356.0000	2	3	Seal, Shaft
12	26355.0000	2	3	Washer, Teflon
13	24331.0000	2	3	O-Ring
14	26393.1000	2	3	Motor, Whipper 120V (Includes items 15 & 16)
	02324.0000	4	6	Nut, Acorn - High Crown #8-32
15	01522.0000	-	-	Washer, Shimming (Use as Required)
16	00908.0000	4	6	Nut, Hex #8-32
17	-----	2	2	Gasket, Silicone 2.25" LG (Order item 19)
18	26493.0000	1	-	Plate, Receptacle
	01308.0000	2	-	Screw, Truss Head #6-32 x .25"
19	02434.1000	-	-	Gasket, Silicone 18" LG



## TANK, HEATER AND OVERFLOW PROTECTION

ITEM	PART NO.	QTY.	DESCRIPTION
1	28281.0000	1	Lid, Tank
	00908.0000	10	Nut, Hex #8-32
2	22978.0000	1	Gasket, Tank Lid
3	00943.0000	2	Gasket, Tank Heater
4	20201.4151	1	Tank Heater Kit, 1700W 120V (Includes item 3)
	20201.0750	1	Tank Heater Kit, 3500W 240V (Includes item 3)
5	24547.0002	1	Tank
	02308.0000	2	Screw, Pan Head - Serrated #8-32 x .375"
	01311.0003	2	Screw, Truss Head - BLK Locking #8-32 x .250"
	01311.0001	2	Screw, Truss Head - SST Locking #8-32 x .250"
6	05515.0000	1	Gasket, Overflow Tube
7	00942.0000	2	Nut, Hex .50"-20
8	02536.0000	2	Grommet, .375" I.D.
9	26665.1000	1	Probe Kit (Includes items 10, 11 & 12)
10	00908.0000	1	Nut, Hex #8-32
11	20203.0100	1	Lockwasher, Internal Tooth #8
12	01501.0000	1	Washer, Flat .16" I.D. x .375" O.D.
13	28292.0000	1	Tube Assy, Overflow
	00908.0000	3	Nut, Hex #8-32
14	29329.1000	1	Thermostat, Limit
15	03803.0000	1	Switch Assy, Liquid Level (Includes items 16, 17 & 18)
	00946.0000	1	Nut, Hex .125" FPT
16	03807.0000	1	Clip, Spring
17	-----	3	Washer, Adjusting (DO NOT USE IN THIS APPLICATION)
18	03633.0000	2	Gasket, Float Switch (Only 1 used in this application)
19	12552.0000	1	Overflow Cup
	00908.0000	2	Nut, Hex #8 - 32
20	-----	1	Tube, Silicone .312" I.D. x 11.5" (Order item 23)
21	21801.0002	1	Tube, .375" O.D. x 1.50"
22	01570.0000	2	Wire Nut, 2 - 24 AWG
23	28526.1000	-	Tube, Silicone .312" I.D. x .438" O.D. x 12"
	28526.1001	-	Tube, Silicone .312" I.D. x .438" O.D. x 36.00"
	28526.1002	-	Tube, Silicone .312" I.D. x .438" O.D. x 120.00"
	28526.1003	-	Tube, Silicone .312" I.D. x .438" O.D. x 60.00"

Not illustrated

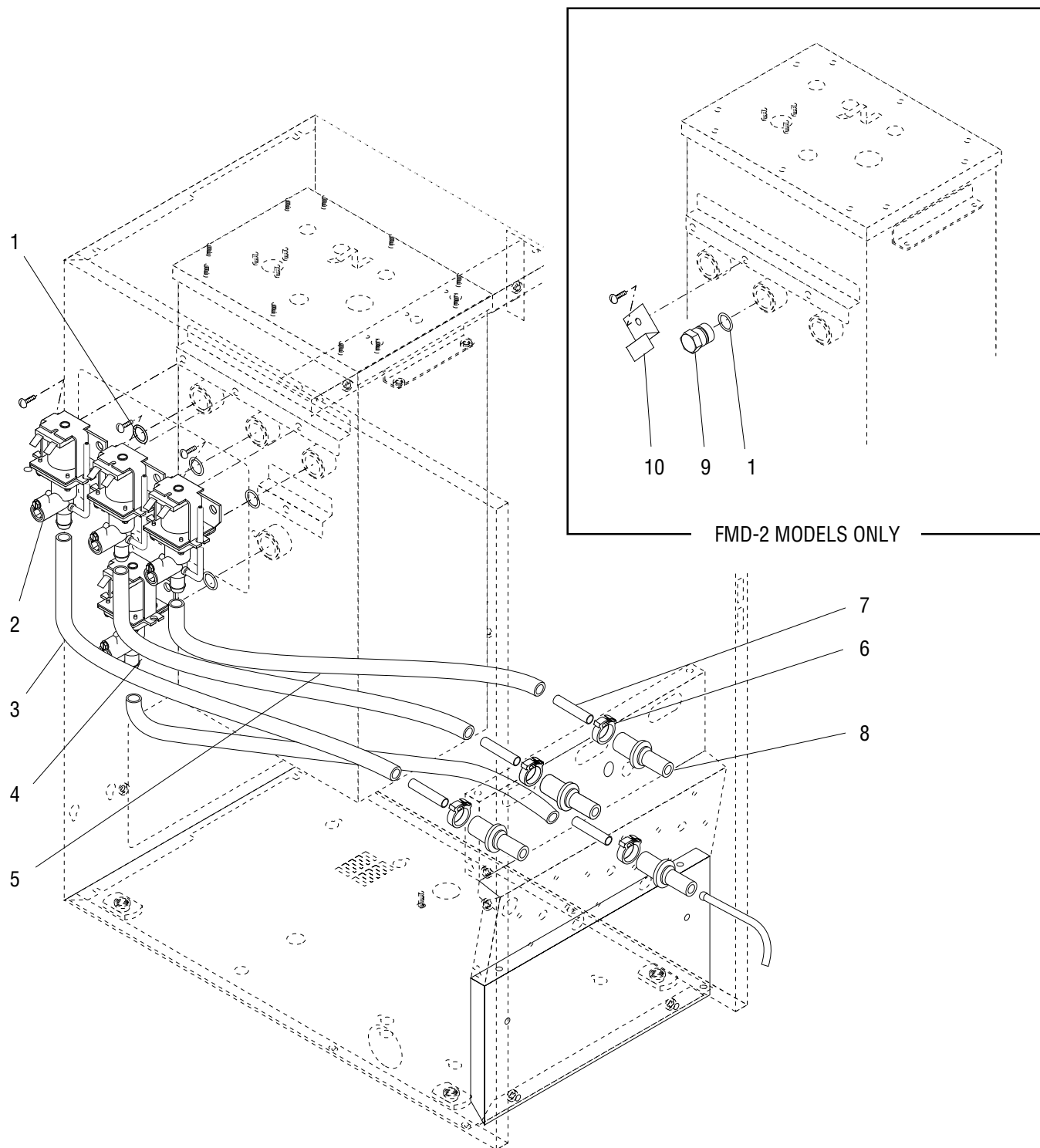




## STRAINER, SOLENOID, FILL VALVE AND LINES

ITEM	PART NO.	QTY.	DESCRIPTION
1	28298.0000	1	Tube, Tank Fill
2	02536.0000	1	Grommet, .375" I.D.
3	12422.0001	1	Clamp, Hose .59"/.66" I.D (One additional used on Models w/cold water valve)
4	-----	1	Tube, Silicone .312" I.D. x .438" O.D. x 22.75" (Order item 30)
5	26135.0001	1	Valve Assy, Solenoid 120V (Serviced only as an assembly)(See Item 31)
	02322.0002	2	Screw, Truss Head - BLK #8-32 x .375"
	01315.0000	2	Screw, Truss Head - SST #8-32 x .375"
	00938.0000	2	Fastener, U-Type #8-32
6	26661.0000	1	Tube Assy, Water Inlet (Models w/out cold water valve)
	28330.1000	1	Tube Assy, Water Inlet (Includes item 18)(Models w/cold water valve)
7	00463.0000	1	Nut, Hex .438"-20
8	01532.0000	1	Lockwasher, Internal Tooth .438"
9	00459.0000	1	Fitting, Bulkhead
10	21814.0016	1	Tube Assy
11	23820.1000	1	Water Strainer Assy (Includes item 12 thru 14)
12	-----	1	Body (Not available order item 11)
13	23721.0000	1	Screen
14	22249.0000	1	End Cap
15	00620.0000	1	Clamp, Hose
16	28275.0000	1	Bracket, Solenoid Mounting
	01311.0001	2	Screw, Truss Head - Locking #8-32 x .25"
17	00408.0001	1	Valve, Needle .25" Tube (Includes item 18)
18	00443.0001	1	Nut/Sleeve Assy, Compression
19	01085.0002	1	Solenoid Valve Assy, 120V
	01326.0000	2	Screw, Truss Head #10-32 x .25"
20	00400.0001	1	Elbow, Male .25" Male Flare x .125" MPT
21	00425.0000	1	Fitting, .25" Barb x .25" Flare Nut
22	12422.0000	2	Clamp, Hose .47"/.54" I.D.
23	-----	1	Tube, Silicone .25" I.D. x 9.5" LG (Order item 32)
24	26442.0000	1	Tee, Barb .375" x .375" x .25"
25	28480.0000	1	Coil, Solenoid Valve 120V
26	28479.0000	1	Base Kit, Solenoid Valve (Includes O-Ring)
27	28481.0000	1	Guide Kit, (Includes Washer & O-Ring)
28	01111.0002	1	Solenoid Valve Repair Kit (Includes Spring, Plunger and O-Ring)
29	-----	-	Tube & Clamp (See DISPENSE VALVES AND LINES)
30	28526.1001	-	Tube, Silicone .312" I.D. x .438" O.D. x 36"
	28526.1002	-	Tube, Silicone .312" I.D. x .438" O.D. x 120"
	28526.1003	-	Tube, Silicone .312" I.D. x .438" O.D. x 60"
31	26131.0000	-	Kit, Nut/O-ring (Includes Nut, Spacer, Grab Ring, Washer & 2 O-Rings)
32	11707.1000	-	Tube, Silicone .25" I.D. x .50" O.D. x 12"
	11707.1001	-	Tube, Silicone .25" I.D. x .50" O.D. x 36"
	11707.1002	-	Tube, Silicone .25" I.D. x .50" O.D. x 120"

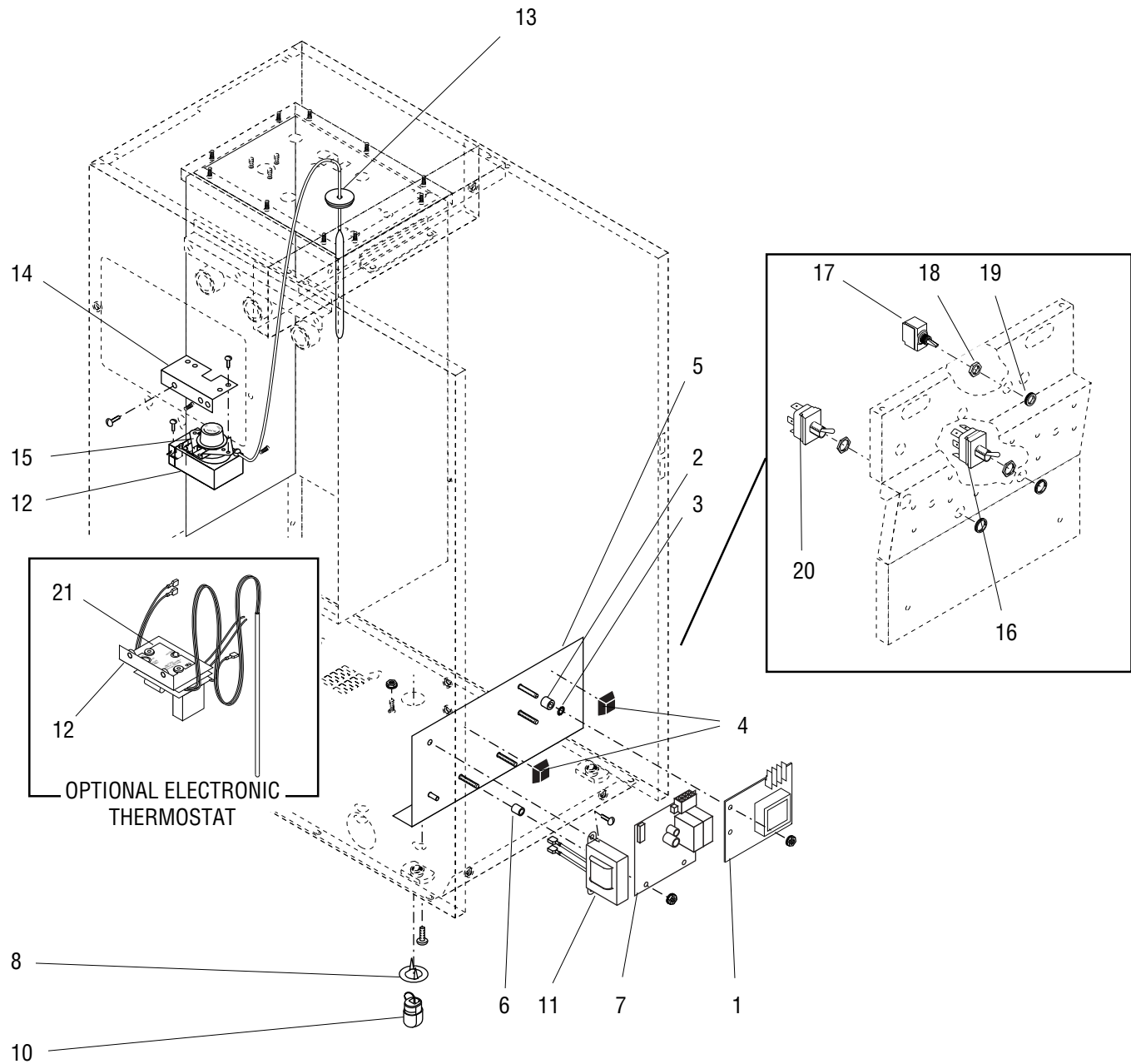
Not  
illustrated



## DISPENSE VALVES AND LINES

ITEM	PART NO.	QTY.		DESCRIPTION
		*	**	* FMD-2 Models ** FMD-3 Models
1	24733.0011	3	3	O-Ring
2	26116.0002	2	3	Valve, Liquid Dispense 120V (See item 12)
	01326.0000	2	3	Screw, Truss Head #10-32 x .250"
3	-----	1	1	Tube, Silicone .312" I.D. x .438" O.D. x 18.5" (Order item 11)(Models w/out cold water valve)
	-----	-	1	Tube, Silicone .312" I.D. x .438" O.D. x 17.90" (Order item 11)(Models w/cold water valve)
4	-----	-	1	Tube, Silicone .312" I.D. x .438" O.D. x 16.0" (Order item 11)
5	-----	1	1	Tube, Silicone .312" I.D. x .438" O.D. x 17.0" (Order item 11)
6	12422.0001	2	3	Clamp, Hose .59"/.66" I.D (One additional used on Models w/cold water valve).
7	21801.0002	2	3	Tube, .375" O.D. x 1.50" (One less used on Models w/cold water valve)
8	25803.0000	2	3	Water Inlet, Mixing Chamber
9	26369.0000	1	-	Plug, Hole
10	26395.0000	1	-	Retainer, Plug
	02331.0000	1	-	Screw, Truss Head - Serrated #10-32 x .375"
11	28526.1001	-	-	Tube, Silicone .312" I.D. x .438" O.D. x 36.0"
	28526.1002	-	-	Tube, Silicone .312" I.D. x .438" O.D. x 120.0"
	28526.1003	-	-	Tube, Silicone .312" I.D. x .438" O.D. x 60.0"
12	28187.0000	1	1	Kit, Dispense Valve Diaphragm

} Not  
illustrated



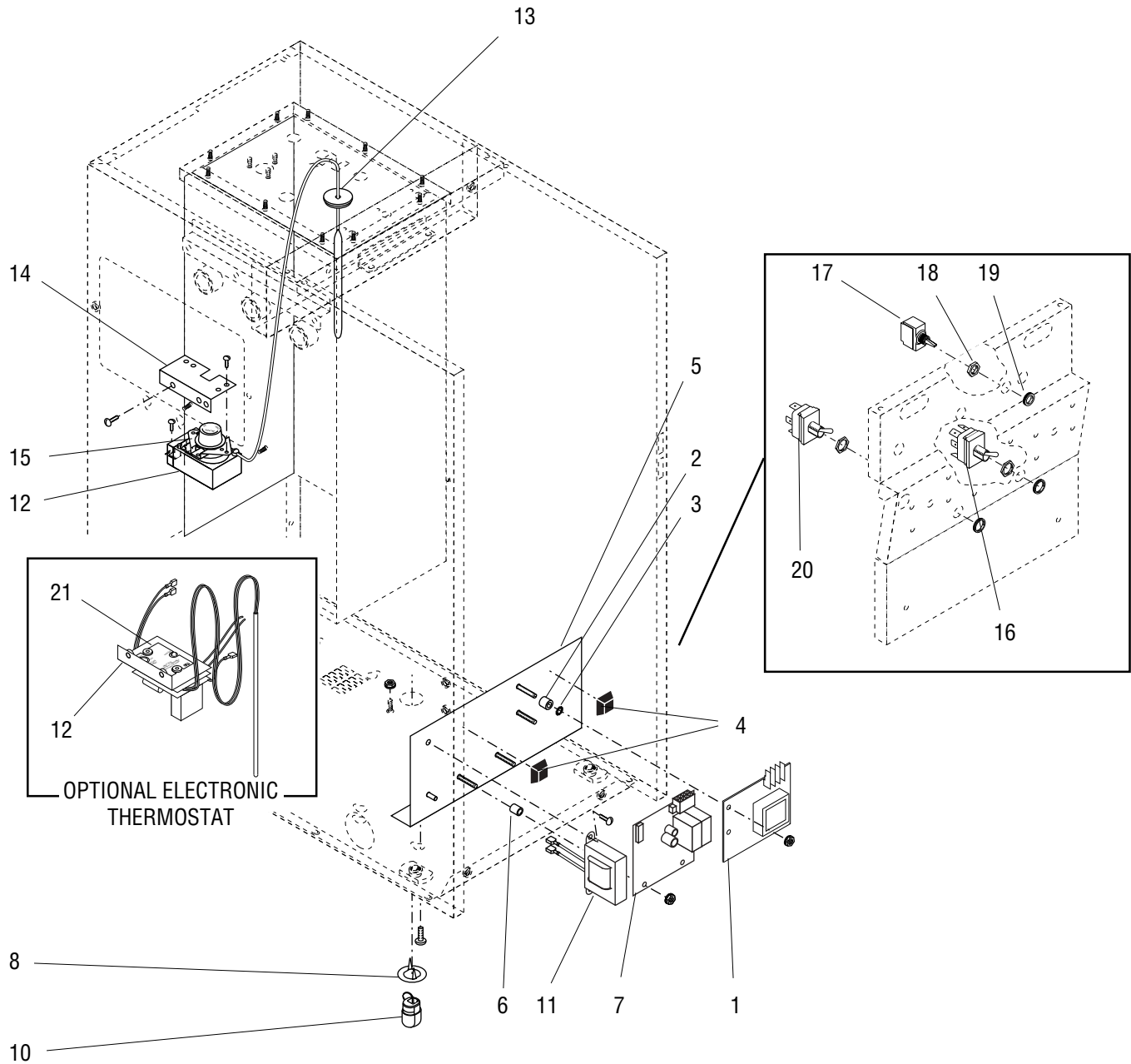
## ELECTRICAL CONTROLS

ITEM	PART NO.	QTY.	DESCRIPTION
1	07074.1000	1	Control Board, Level - 120V 5 Sec
	07074.1009	1	Control Board, Level - 240V 5 Sec
	00970.0000	2	Nut, Keps #8-32
2	00450.0000	2	Spacer, .219" I.D. x .34" LG - Brass
3	01511.0000	2	Lockwasher, External Tooth #8
4	02547.0000	2	Foot, Rubber
5	-----	1	Bracket, Component Mounting (Not available)
	01311.0001	2	Screw, Truss Head - Locking #8-32 x .25"
6	01533.0000	2	Spacer, .171" I.D. x .375" O.D. x .375" LG - Nylon
7	28337.0000	1	Circuit Board, Hopper Delay 120V
	28337.0001	1	Circuit Board, Hopper Delay 220V
	00970.0000	2	Nut, Keps #8-32
8	00715.0000	1	Adapter Washer, Strain Relief (Not used on 120V/240V Models)
9	00970.0000	1	Nut, Keps #8-32 - Power Cord Ground
10	00713.0000	1	Bushing, Strain Relief (120V Models)
	28683.0000	1	Bushing, Strain Relief (120V/240V Models)
11	28327.0000	1	Ballast, 120V-60HZ W/Terminals
	28327.0001	1	Ballast, 220V-50HZ W/Terminals
	02308.0000	1	Screw, Pan Head - Serrated #8-32 x .375"
12	-----	1	Thermostat Assembly 120V - Mechanical (Not Available. Order Item 28)
	26527.1003	1	Thermostat/Bracket Assembly 120V - Electronic (Includes item 21)
	02328.0003	2	Screw, Pan Head #6-32 x .25" (Mounting)
	20762.0000	2	Screw, Binding Head #8-32 x .25" (Terminal)(Not used w/electronic thermostat)
13	07073.0000	1	Grommet
14	28224.0000	1	Bracket, Thermostat Mounting
	01311.0003	2	Screw, Truss Head - BLK #8-32 x .25"
	01311.0000	2	Screw, Truss Head - SST #8-32 x .25"
15	00720.0000	1	Knob, Thermostat Adjustment
16	02686.0000	1	Switch, Toggle ON/OFF (Includes mounting nuts)
17	23522.0000	1	Switch, Toggle ON/OFF-Tank Heater (Includes item 18, also order item 19)
18	23696.0000	1	Nut, Hex .469" - 32
19	23697.0000	1	Nut, Plastic Face .469" - 32
20	05761.0000	1	Switch, Toggle ON/ON - Cold Water Valve
21	26536.0002	1	Decal - Thermostat Adjustment
22	20630.0008	1	Cord Assembly, Power 120V
	28680.0000	1	Cord Assembly, Power 120V/240V
	27728.0002	1	Cord Assembly, Power 240V

} Not Illustrated

(Continued)

(Continued)



## ELECTRICAL CONTROLS

ITEM	PART NO.	QTY.	DESCRIPTION
23	28686.0000	1	Wiring Harness, Control - 120V & 240V (Mechanical Thermostat)
	28686.0001	1	Wiring Harness, Control - 120V (Electronic Thermostat)
	28686.0002	1	Wiring Harness, Control - 120V/240V
24	-----	1	Wiring Harness, Door (See Door, Lamps and Panels)
25	27605.0000	1	Wiring Harness, Cold Water Valve
26	28862.0000	1	Lead Assembly, Jumper (Dispensers W/Out Cold Water Valve)
27	12919.0000	9	Cap, Terminal (FMD-2 Only. Use as Required)
28	28239.0000	-	Thermostat Kit (Includes items 12, 14 & 15)

Not illustrated

NUMERICAL INDEX

PART NO.	PAGE NO.	PART NO.	PAGE NO.	PART NO.	PAGE NO.	PART NO.	PAGE NO.
00400.0001	17	05515.0000	15	26359.0000	13	28292.0000	15
00408.0001	17	05761.0000	21	26369.0000	19	28295.0000	13
00425.0000	17	07073.0000	21	26393.1000	13	28295.0001	13
00443.0001	17	07074.1000	21	26395.0000	19	28296.0000	9
00450.0000	21	07074.1009	21	26401.0000	11	28297.0000	13
00459.0000	17	11707.1000	17	26435.0000	11	28298.0000	17
00463.0000	17	11707.1001	17	26436.0000	11	28299.0000	5
00619.0010	5	11707.1002	17	26441.0000	11	28301.0000	9
00619.0011	5	12422.0000	17	26442.0000	17	28301.0002	9
00620.0000	17	12422.0001	17,19	26444.0000	9	28322.0000	9
00656.0000	7	12552.0000	15	26449.0000	11	28325.0000	9
00713.0000	21	12919.0000	23	26493.0000	13	28327.0000	21
00715.0000	21	13255.0003	7	26496.0000	11	28327.0001	21
00720.0000	21	20201.0750	15	26504.0000	5	28328.0000	5
00831.0000	7	20201.4151	15	26522.0000	7	28328.0003	5
00908.0000	13,15	20203.0100	15	26523.0000	5	28330.1000	17
00938.0000	17	20630.0008	21	26524.0000	5	28332.1000	9
00942.0000	15	20762.0000	21	26527.1003	21	28333.0000	11
00943.0000	15	20960.0000	11	26528.0000	5	28335.0000	9
00946.0000	15	21004.0192	9	26536.0002	21	28336.0000	9
00970.0000	11,21	21357.0000	11	26537.0000	9	28337.0000	21
00973.0000	11	21358.0000	11	26537.0001	9	28337.0001	21
00991.0000	5,9	21365.0000	11	26537.0003	9	28338.0000	9
00991.0002	11	21436.0000	7	26537.0007	9	28341.0000	7
01085.0002	17	21801.0002	15,19	26661.0000	17	28362.0000	9
01111.0002	17	21814.0016	17	26665.1000	15	28366.1000	7
01308.0000	11,13	22249.0000	17	26754.0000	11	28366.1001	7
01311.0000	5,7,11,21	22978.0000	15	26892.0000	9	28366.1002	7
01311.0001	5,7,11,13	23164.0002	5	26940.0000	11	28368.0000	5
01311.0001	15,17,21	23522.0000	21	27298.0000	9	28370.0000	9
01311.0003	5,7,15,21	23696.0000	21	27605.0000	23	28424.1000	11
01315.0000	17	23697.0000	21	27619.0000	9	28425.0000	11
01326.0000	17,19	23721.0000	17	27728.0002	21	28435.0000	7
01383.0001	9	23820.1000	17	28061.0000	11	28436.0000	5
01390.0000	9	24331.0000	13	28067.0000	11	28436.0001	5
01501.0000	15	24547.0002	15	28147.1000	9	28479.0000	17
01511.0000	21	24733.0010	13	28147.1002	9	28480.0000	17
01522.0000	9,13	24733.0011	19	28187.0000	19	28481.0000	17
01532.0000	17	25732.0000	13	28204.0000	5	28526.1000	15
01533.0000	21	25733.0000	13	28206.0000	5	28526.1001	15,17,19
01570.0000	15	25734.0000	13	28208.1000	13	28526.1002	15,17,19
02308.0000	5,15,21	25736.0000	13	28209.1000	5	28526.1003	15,17,19
02322.0002	17	25743.0000	11	28224.0000	21	28661.1000	5
02324.0000	13	25744.0000	11	28239.0000	23	28668.0000	5
02328.0002	9	25794.0000	11	28261.0000	9	28670.0000	5
02328.0003	13,21	25803.0000	19	28267.0000	5	28671.0000	5
02331.0000	19	25902.0000	13	28268.0000	5	28680.0000	21
02336.0000	9,13	25903.0000	11	28269.0000	5	28683.0000	21
02434.1000	13	26112.0001	11	28269.0001	5	28684.0000	7
02536.0000	15,17	26116.0002	19	28270.0000	5	28686.0000	23
02547.0000	21	26131.0000	17	28275.0000	17	28686.0001	23
02686.0000	21	26135.0001	17	28281.0000	15	28686.0002	23
03633.0000	15	26239.0000	9	28283.0000	5	28862.0000	23
03803.0000	15	26247.0000	11	28284.0000	9	29329.1000	15
03807.0000	15	26355.0000	13	28284.0001	9		
03996.0000	5	26356.0000	13	28286.0000	11		