

# SPACE

Pieces

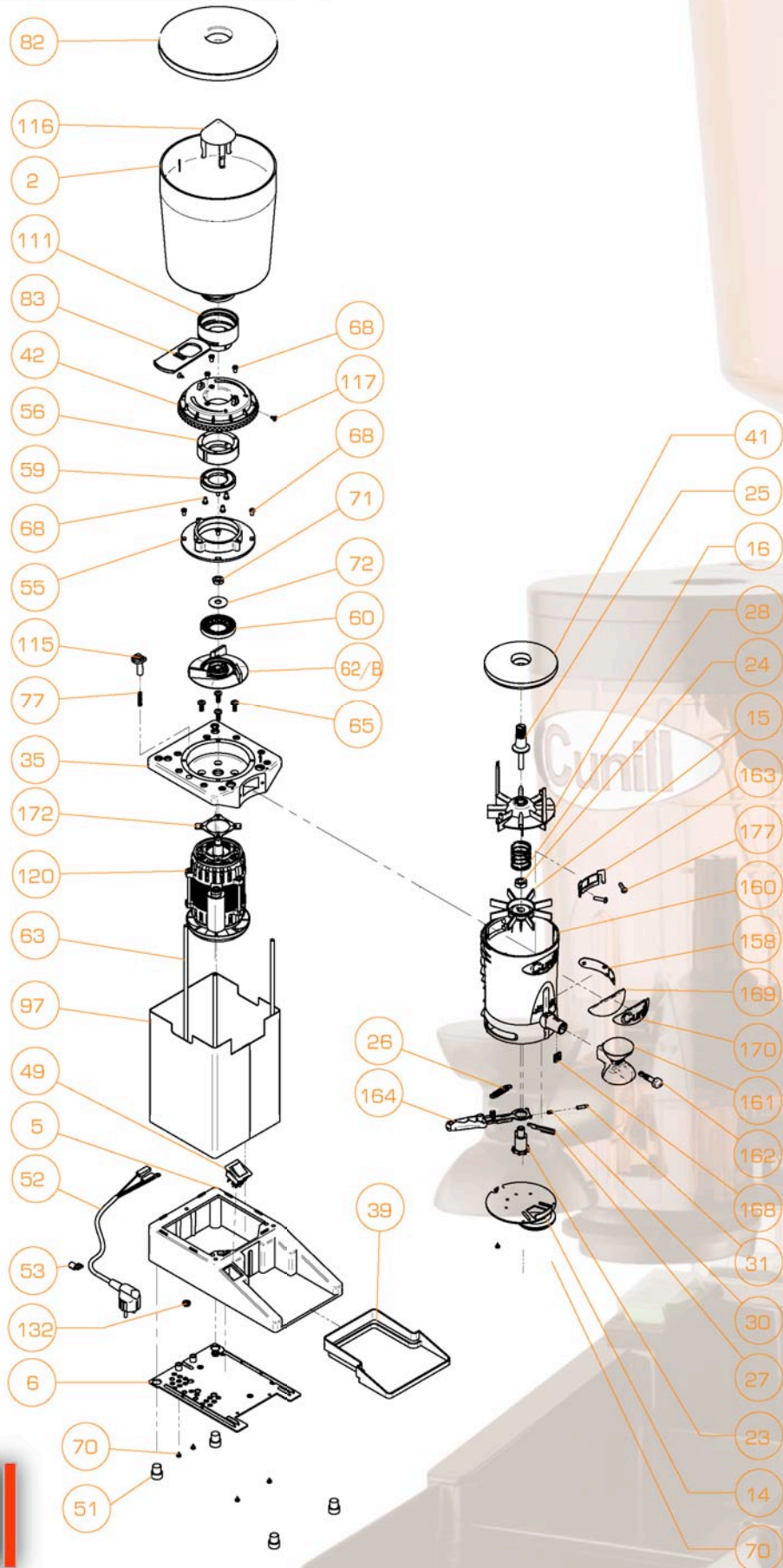


# classic



Since 1957

# SPACE



Since 1957

# SPACE

REF.	DENOMINATION	CANT.	REF.	DENOMINATION	CANT.
111	HOPER COLLAR	1	31	LEVER PAWL	1
115	ADJUSTMENT PAWL	1	35	SQUARED COVER	1
116	HOPPER INNER PROTECTOR	1	39	SQUARED TRAY	1
117	SCREW Ø4,2x9,5 DIN 7983	2	41	DISPENSER COVER	1
120	MOTOR N°5	1	42	ADJUSTMENT DISK	1
132	NUT M6 DIN 6923.8	3	49	SWITCH	1
14	DISPENSER BASE PLATE DIRECT INTAKE(SEAL-SAVER)	1	5	MODULE BASE SPACE-COLOMBIA	1
15	FIX STARPIECE	1	51	CIRCULAR RUBBER FOOT	4
158	DISPENSER LATERAL COVER 2003	1	52	ELECTRIC CABLE WITH PLUG	1
16	UPPER STARPIECE + MEDIUM STARPIECE	1	53	CABLE METAL CLIP	1
160	DISPENSER 600GR. 2003	1	55	GRINDWHEEL HOUSING SUPPORT	1
161	ROTATORY PRESS	1	56	GRINDWHEEL HOUSING Ø59	1
162	ROTATORY PRESS FIXATION	1	59	UPPER BLADE Ø59	1
163	FINGER PROTECTOR	1	6	INFERIOR COVER SPACE-COLOMBIA-TAURO	1
164	DISPENSER LEVER 2003	1	60	LOWER BLADE Ø59	1
168	DISPENSER NUT	1	62/B	ALUMINIUM EXPPELLER "CLASSIC"	1
169	CUSTOMIZED PLAQUE DISPENSER/COFFEE GRINDER	1	63	THREADED ROD M6x255mm	3
170	CUNILL PLAQUE DISPENSER/COFFEE GRINDER	1	65	SCREW M6x15 C.C. MOTOR COVER DIN 7985	4
172	FIXING MOTOR WASHER	1	68	SCREW M5x8 DIN 7985	10
177	SCREW M5x20 ISO 7380	2	70	SCREW D3,5x6,5DIN 7981	7
2	HOPPER 2 KG	1	71	NUT FOR BLADES FIXATION	1
23	RATCHET SHAFT	1	72	WASHER FOR BLADES FIXATION	1
24	HEXAGONAL NUT M12 DIN 934	1	77	ADJUSTMENT PAWL SPRING	1
25	DISPENSER ADJUSTMENT NUT	1	82	HOPPER COVER	1
26	DISPENSER LEVER RETRACTION SPRING	1	83	CLOSING HOPPER PIECE	1
27	DISPENSER HOOP	1	97	TAURO BODY IN STAINLESS STEEL	1
28	STARPIECE SPRING	1			
30	LEVER PAWL SPRING	1			

