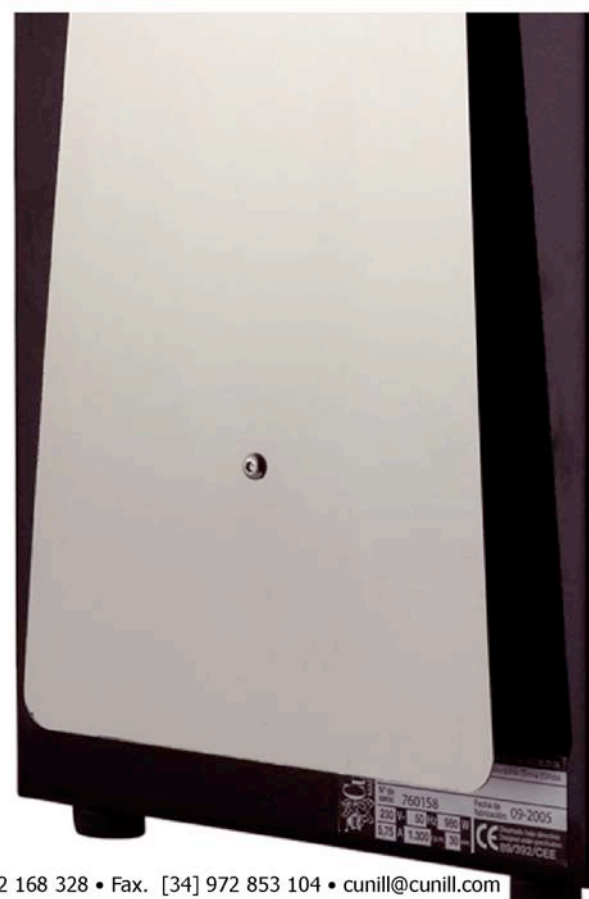
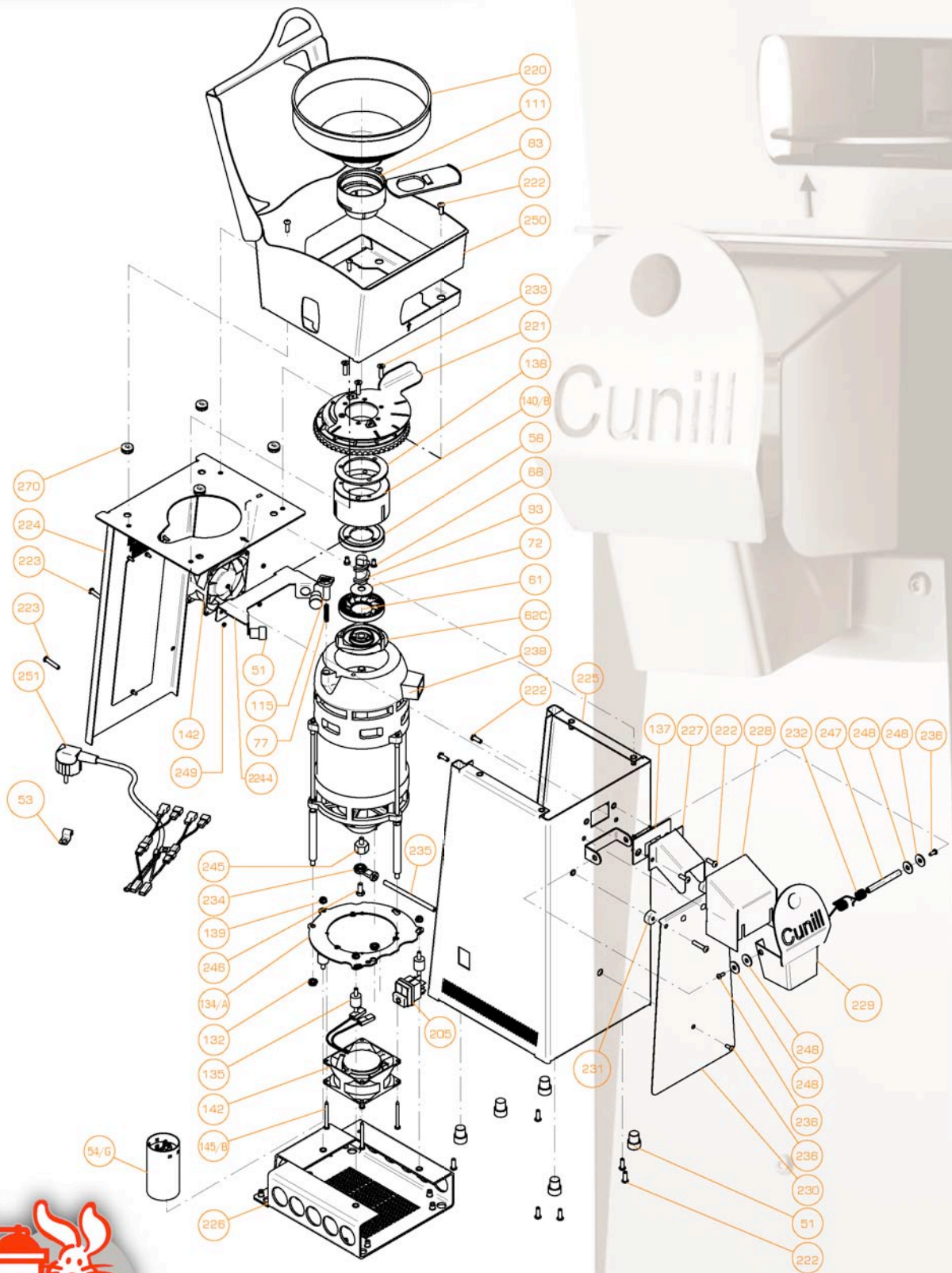


HAWAI 2

Pieces



HAWAI 2



Since 1957

HAWAI 2

REF.	DENOMINATION	CANT.	REF.	DENOMINATION	CANT.
111	HOPPER COLLAR	1	234	SPECIAL BALL-AND-SOCKET JOINT 1500 rpm	1
115	ADJUSTMENT PAWL	1	235	SPLIT PIN FOR THE SPECIAL BALL-AND-SOCKET JOINT	1
132	NUT M6 DIN 6923.8	1	236	ALLEN SCREW M4x10 INOX ISO 7381	3
134/A	MOTOR SUPPORT METAL HAWAI2	1	238	MOTOR N°13 230v-50Hz	1
135	SILENBLOCK	1	245	SPECIAL NUT ANCHORAGE MOTOR SHAFT	1
137	COFFEE EXIT RUBBER	1	246	HEXAGONAL NUT M6x14 DIN 933	1
138	ADJUSTMENT DISK INFERIOR RUBBER SILENCER MODELS	1	247	TILTED SHAFT HAWAI '02	1
139	NUT M5 SILENBLOCK DIN 6923.8	1	248	WASHER Ø18x6,5x1,5 DIN 9021 FIX SHAFT-LEVER	4
140/B	GRINDWHEEL HOUSING Ø65 "SILENCER"; "HAWAI '02"	1	249	NUT M3 DIN 934	1
142	MOTO-FAN	2	250	HOPPER COVER SET	1
145/B	SCREW D3,9x45 DIN 7981	1	251	ELECTRIC CABLE WITH PLUG HAWAI '02	1
205	SWITCH (TANGOOD)	1	270	CABLES COVER REF.2052	1
220	BLACK HOPPER 1/2Kg HAWAI '02	1	51	CIRCULAR RUBBER FOOT	3
221	ADJUSTMENT DISK PLASTIC + STAINLESS STEEL	1	53	CABLE METAL CLIP	1
222	ALLEN SCREW M5x15 INOX ISO 7381	3	54/G	CONDENSER 88/106 µ F (1cv-1600rpm)	1
223	ALLEN SCREW M5x25 INOX ISO 7381	2	58	UPPER BLADE Ø65	1
224	BACK STAINLESS STEEL PLAQUE	1	61	INFERIOR BLADE Ø65	1
224-4	MOTOR STOP METAL	1	62C	ALLUMINIUM EXPELLER "SILENCER"	1
225	COMPLETE BODY HAWAI '02	1	68	SCREW M5x8 DIN 7985	1
226	INTERIOR PLATE TO SUBJECT THE MOTOR HAWAI '02	1	72	WASHER FOR BLADES FIXATION	1
227	COFFEE EXIT TUBE HAWAI '02	1	77	ADJUSTMENT PAWL SPRING	1
228	COFFEE EXIT TUBE HAWAI '02	1	83	CLOSING PIECE	1
229	BAG HOLDER LEVER HAWAI '02	1	93	NUT WITH SPIRAL	1
230	FRONT VIBRATION PLATE	1			
231	VIBRATION PLATE RUBBER	1			
232	FRONT PLATE SPRING	1			
233	SCREW M5x20 DIN 956	1			

