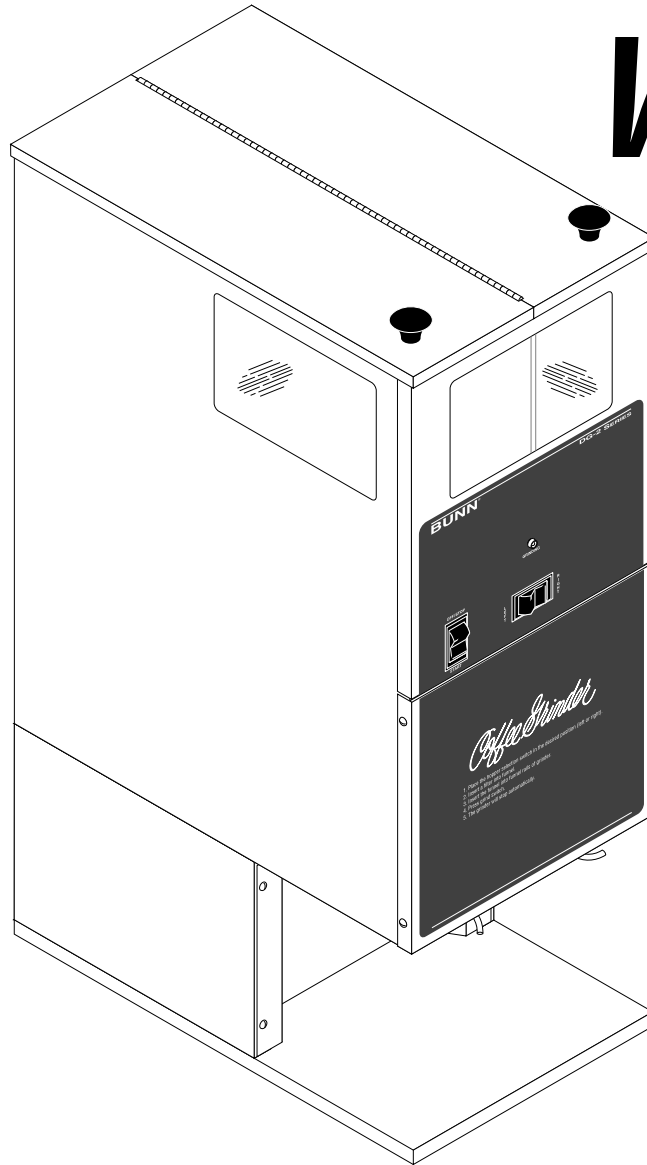


BUNN®

DG-2

WDG-2



ILLUSTRATED PARTS CATALOG

Designs, materials, weights, specifications, and dimensions for equipment or replacement parts are subject to change without notice.

BUNN-O-MATIC CORPORATION

POST OFFICE BOX 3227

SPRINGFIELD, ILLINOIS 62708-3227

PHONE: (217) 529-6601 FAX: (217) 529-6644

WARRANTY

Bunn-O-Matic Corp. ("Bunn") warrants the equipment manufactured by it to be commercially free from defects in material and workmanship existing at the time of manufacture and appearing within one year from the date of installation. In addition:

1.) Bunn warrants electronic circuit and/or control boards to be commercially free from defects in material and workmanship for three years from the date of installation.

2.) Bunn warrants the compressor on refrigeration equipment to be commercially free from defects in material and workmanship for two years from the date of installation.

3.) Bunn warrants that the grinding burrs on coffee grinding equipment will grind coffee to meet original factory screen sieve analysis for three years from date of installation or for 30,000 pounds of coffee, whichever comes first.

This warranty does not apply to any equipment, component or part that was not manufactured by Bunn or that, in Bunn's judgement, has been affected by misuse, neglect, alteration, improper installation or operation, improper maintenance or repair, damage or casualty.

THE FOREGOING WARRANTY IS EXCLUSIVE AND IS IN LIEU OF ANY OTHER WARRANTY, WRITTEN OR ORAL, EXPRESS OR IMPLIED, INCLUDING, BUT NOT LIMITED TO, ANY IMPLIED WARRANTY OF EITHER MERCHANTABILITY OR FITNESS FOR A PARTICULAR PURPOSE. The agents, dealers or employees of Bunn are not authorized to make modifications to this warranty or to make additional warranties that are binding on Bunn. Accordingly, statements by such individuals, whether oral or written, do not constitute warranties and should not be relied upon.

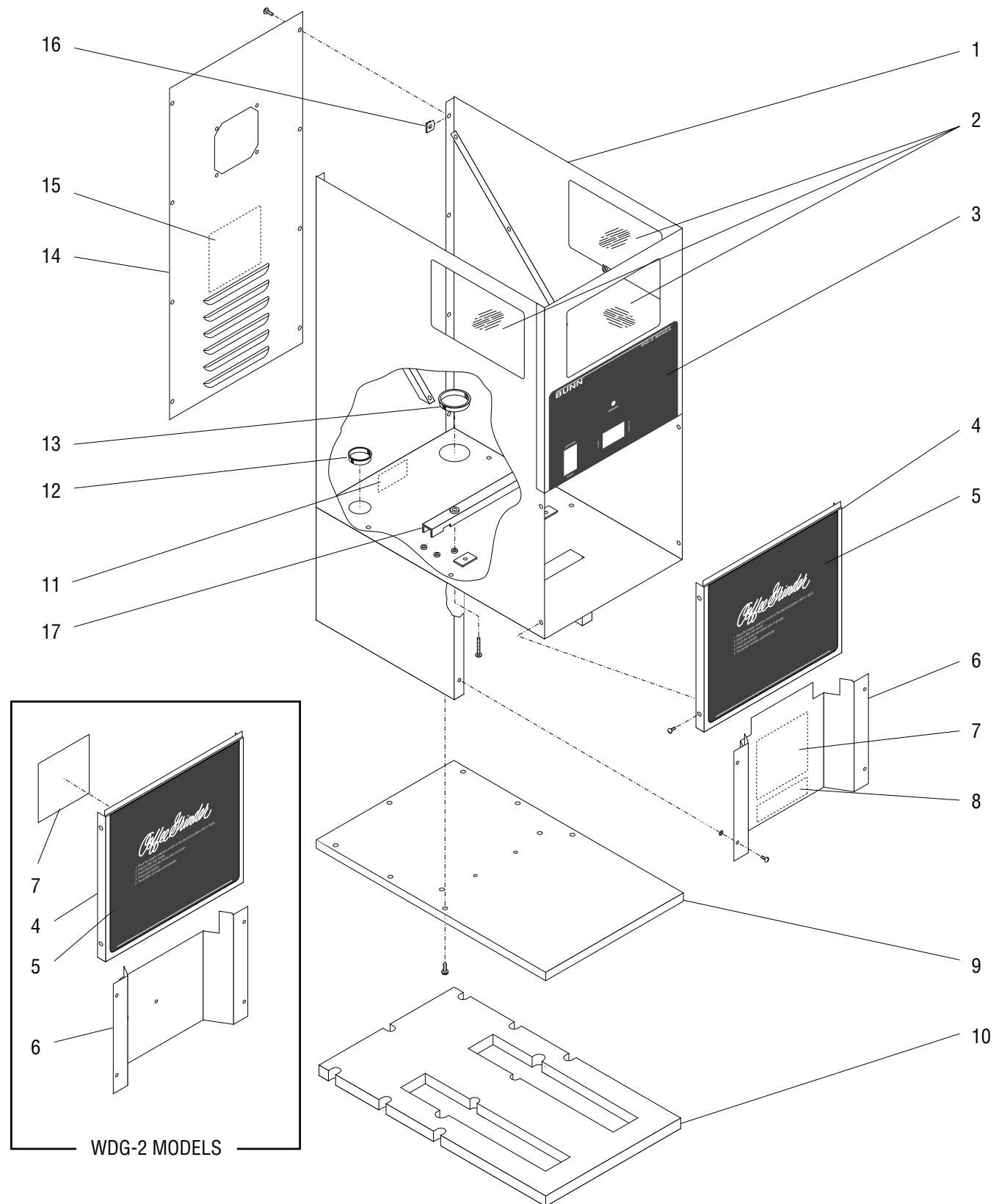
The Buyer shall give Bunn prompt notice of any claim to be made under this warranty by telephone at (217) 529-6601 or by writing to Post Office Box 3227, Springfield, Illinois, 62708-3227. If requested by Bunn, the Buyer shall ship the defective equipment prepaid to an authorized Bunn service location. If Bunn determines, in its sole discretion, that the equipment does not conform to the warranty, Bunn shall repair the equipment with no charge for parts during the warranty period and no charge for labor by a Bunn Authorized Service Representative during the warranty period. If Bunn determines that repair is not feasible, Bunn shall, at its sole option, replace the equipment or refund the purchase price for the equipment.

THE BUYER'S REMEDY AGAINST BUNN FOR THE BREACH OF ANY OBLIGATION ARISING OUT OF THE SALE OF THIS EQUIPMENT, WHETHER DERIVED FROM WARRANTY OR OTHERWISE, SHALL BE LIMITED, AS SPECIFIED HEREIN, TO REPAIR OR, AT BUNN'S SOLE OPTION, REPLACEMENT OR REFUND.

In no event shall Bunn be liable for any other damage or loss, including, but not limited to, lost profits, lost sales, loss of use of equipment, claims of Buyer's customers, cost of capital, cost of down time, cost of substitute equipment, facilities or services, or any other special, incidental or consequential damages.

TABLE OF CONTENTS

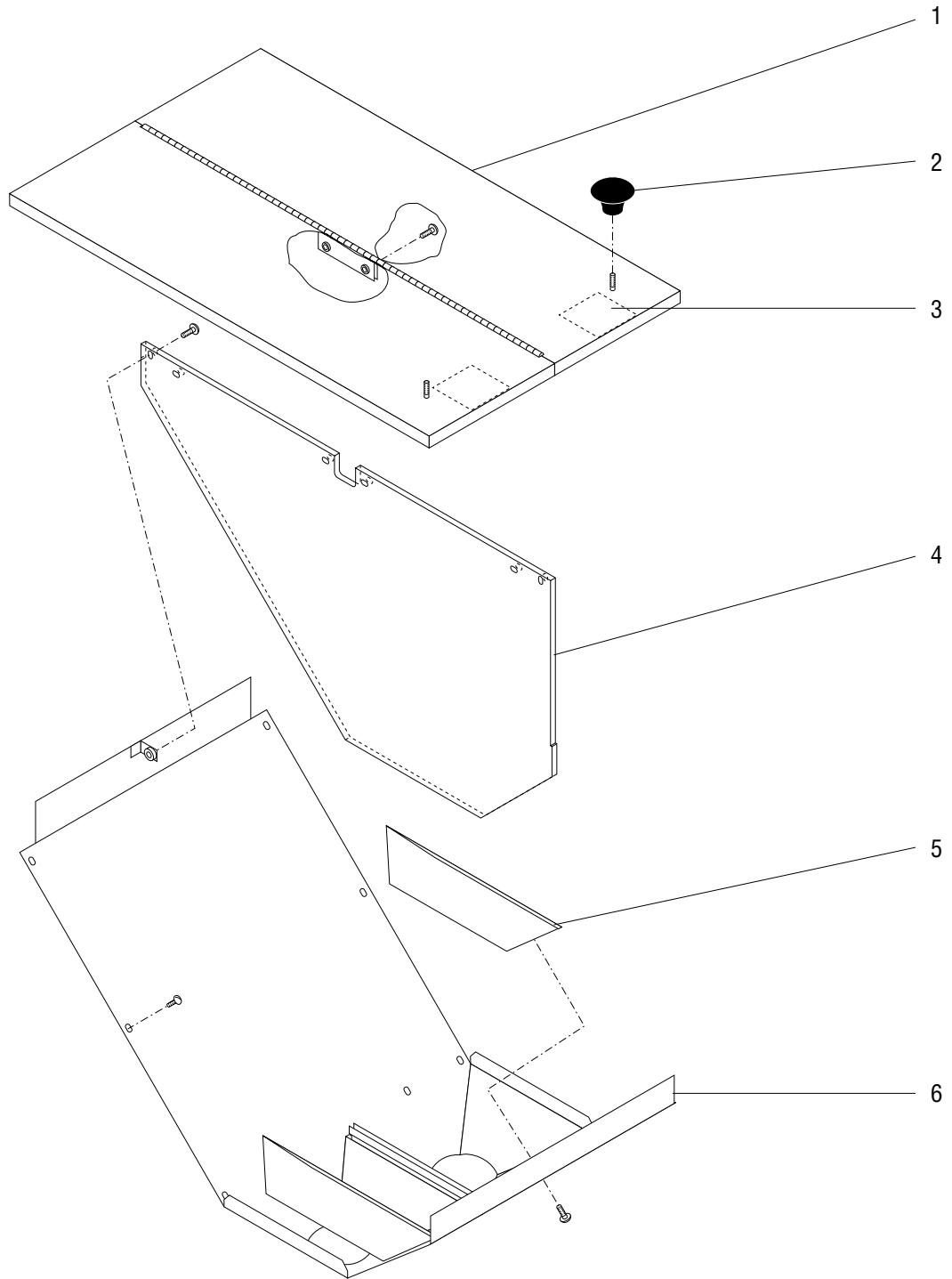
Electrical Controls	12
Funnel Rails	14
Hopper and Lid Assy	6
Housing, Base and Panels	4
Motor, Burr Housing and Mounting Bracket	8
Numerical Index	18
Weigh Mechanism and Control Board - WDG-2	16



WDG-2 MODELS

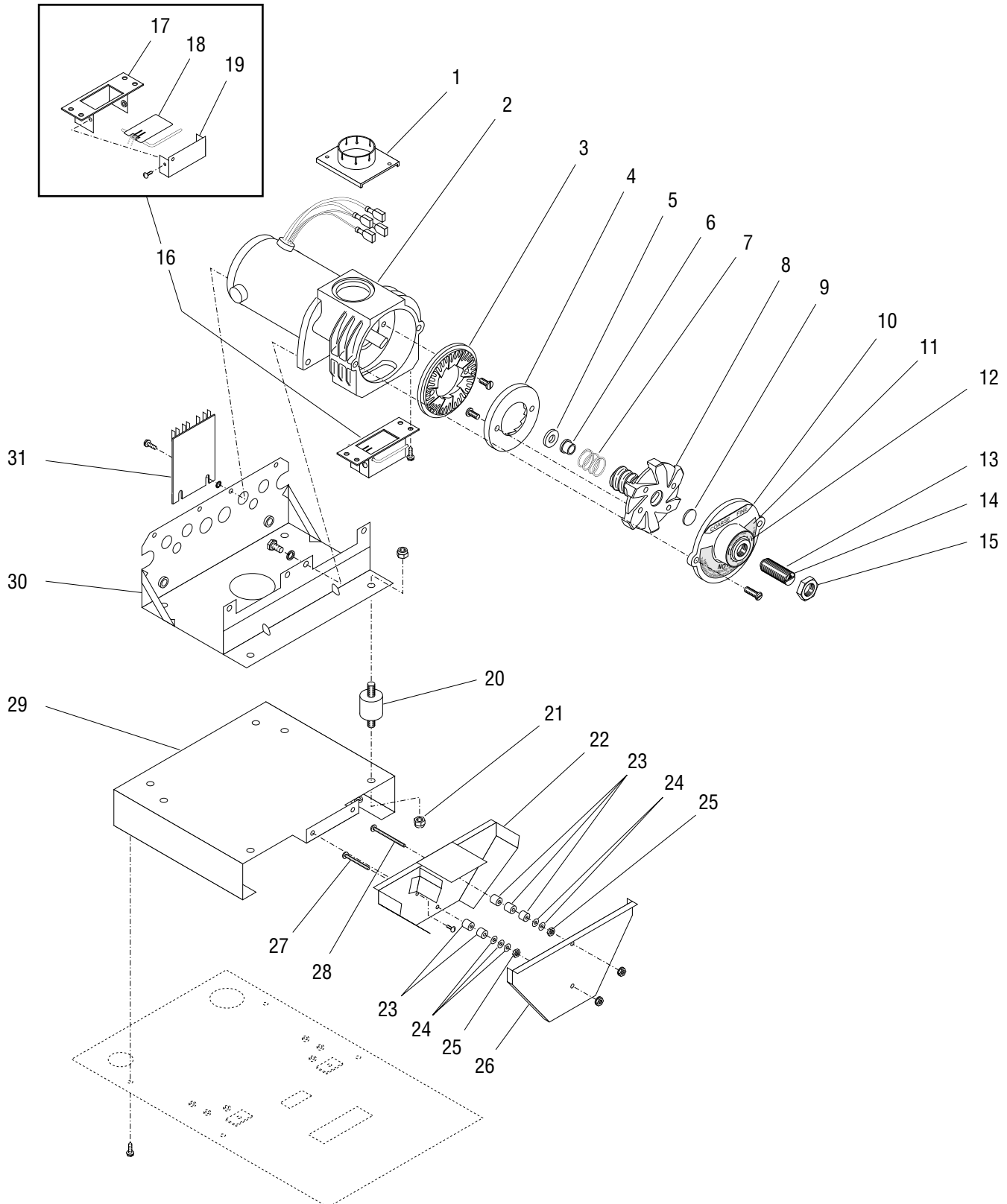
HOUSING, BASE AND PANELS

ITEM	PART NO.	QTY.		DESCRIPTION
		*	**	* DG-2 Models ** WDG-2 Models
1	25917.0000	1	1	Housing Assy W/Decal (Includes items 2, 3 & 11)
2	05814.0001	3	3	Window Assy (Includes adhesive)
3	25729.0000	1	1	Decal, Control Panel
4	25910.0000	1	-	Cover W/Decal (Includes screws and washers below and item 5)
	25910.0001	-	1	Cover W/Decal (Includes screws and washers below and items 5 and 7)
	01315.0000	4	4	Screw, Truss Head 8 - 32 x .375"
	01516.0000	4	4	Washer, Screw Retaining #8
5	25730.0000	1	1	Decal, Operating Instructions
6	25753.1000	1	-	Panel Assy W/Decal (Includes screws and washers below and items 7 and 8)
	25721.0001	-	1	Panel, Trunk
	01380.0000	4	4	Screw, Truss Head 6 - 32 x .50"
	01518.0000	4	4	Washer, Screw Retaining #6
7	10856.0000	1	-	Schematic, Electrical 120V
	10874.0000	-	1	Schematic, Electrical 120V
8	25885.0000	1	-	Decal, Coffee Wt/Timer Settings
9	25701.0000	1	1	Base Plate
	01330.0000	7	7	Screw, Slotted Hex Head 10 - 32 x .375"
10	25694.0000	1	1	Pad, Base
11	24237.0000	1	1	Decal, Notice - Interface Voltage
12	00718.0000	1	1	Bushing, 1.125" Dia. Hole (Early Models)
	01592.0001	1	1	Bushing, 1.187" Dia. Hole (Late Models)
13	01593.0000	1	1	Bushing, 1.50" Dia. Hole
14	25911.0000	1	1	Panel Assy W/Decal (Includes item 15)
	01315.0000	8	8	Screw, Truss Head 8 - 32 x .375"
15	20545.0000	1	1	Decal, Warning Electrical
16	00917.0000	8	8	Clip, J - Type 8 - 32
17	26039.0001	-	1	Channel, Housing Support
	01321.0000	-	2	Screw, Truss Head 8-32 x 1.0"



HOPPER AND LID ASSEMBLY

ITEM	PART NO.	QTY.	DESCRIPTION
1	25913.0000	1	Lid Assy, Hopper (Includes items 2 & 3)
	02328.0000	4	Screw, Pan Head 6 - 32 x .375" Locking
2	00725.0000	2	Knob
3	05876.0000	2	Decal, Caution
4	25718.0000	1	Divider, Dual Hopper
	02328.0000	2	Screw, Pan Head 6 - 32 x .375" Locking
5	25716.0000	2	Baffle
	02328.0004	4	Screw, Pan Head 6 - 32 x .312" Locking
6	25713.0000	1	Hopper
	01311.0001	10	Screw, Truss Head 8 - 32 x .25" Locking

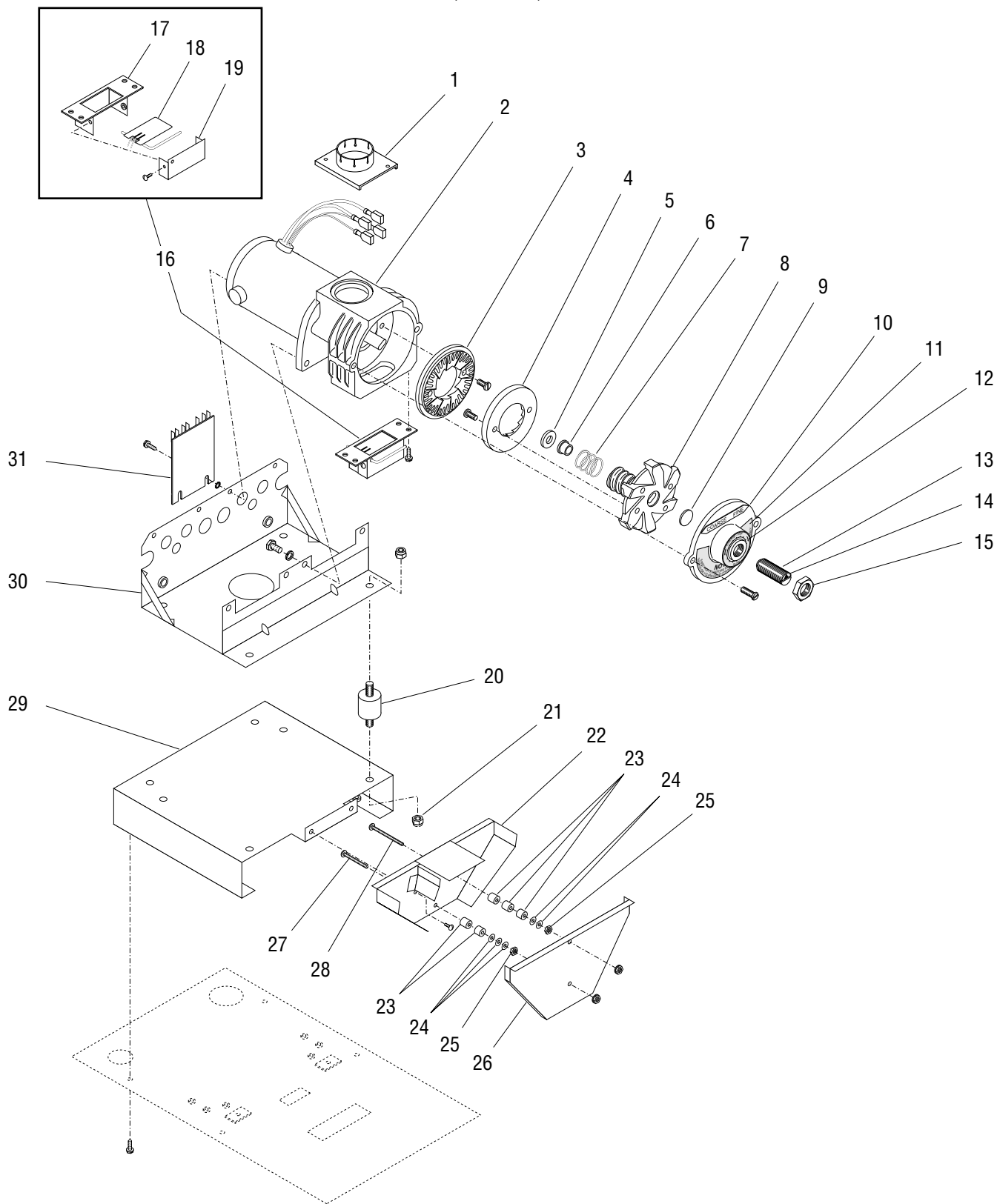


MOTOR, BURR HOUSING AND MOUNTING BRACKET

ITEM	PART NO.	QTY.	DESCRIPTION
			* Early Models ** Late Models
		* **	
-	----- 26729.1000	2 - - 2	Motor/Grinder Assy (Not available. Order 26729.1000) Motor/Grinder Assy (Includes items 1 thru 15)
1	11089.0001	2 2	Collar, Hopper (Also order item 33)
2	25912.0000 26819.1000 01330.0000 02326.0002 01538.0000	2 - - 2 4 4 4 4 4 4	Motor/Burr Housing Assy (Includes item 1) Motor/Burr Housing Assy (Includes item 1) Screw, Slotted Hex Head 10 - 32 x .375" Capscrew, Hex Head .25" - 20 x .50" Lockwasher, Split .25"
3	----- 02314.0000	2 2 4 4	Burr (Not Available. Order item 32) Screw, Pan Head .25" - 20 x .50"
4	----- 20669.0000	2 2 4 4	Burr (Not Available. Order item 32) Screw, BDG Head 10 - 32 x .29"
5	21613.0000 26768.0000	2 - - 2	Washer, .875" O.D. x .406" I.D. Washer, 1.25" O.D. x .531" I.D.
6	20667.0000 26769.0000	2 - - 2	Bushing, Spring Retainer Bushing, Spring Retainer
7	20666.0000 26770.0000	2 - - 2	Spring Spring
8	25916.0000 25916.0001	2 - - 2	Burr Auger Rotor/Spring Assy (Includes items 5,6 & 7) Burr Auger Rotor/Spring Assy (Includes items 5,6 & 7)
9	20670.0000	2 2	Disc, Load
10	25915.0000 25914.0000 20631.0000 11064.0000	2 2 2 2 4 - - 4	Cap W/Decals, Burr Housing (Includes items 11 & 12) Cap & Adjusting Screw W/Decals, Burr Housing (Includes items 11 thru 15) Screw, Slotted Hex Head .25" - 20 x .75" Screw, Slotted Phillips Head .25" - 20 x .75"
11	05868.0000	2 2	Decal, Housing Cover
12	05880.0000	2 2	Decal, Grind Indicator
13	25638.0000	2 2	Adjusting Screw (Also Order item 14)
14	05796.0000	2 2	Decal, Adjusting Screw
15	00989.0000	2 2	Nut, Locking
16	26582.1000 02330.0001	2 2 8 8	Chute Assy, Discharge (Includes items 17, 18 and 19) Screw, Slotted Hex Head 10 - 24 x .38" (Also order item 34)

(Continued)

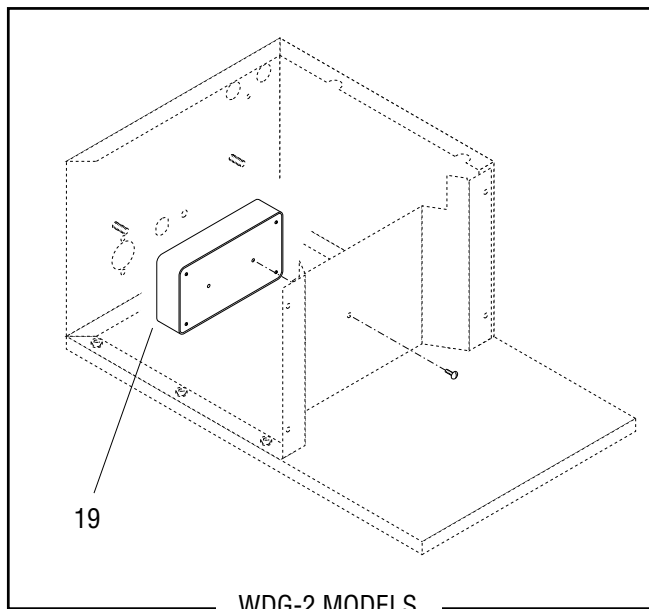
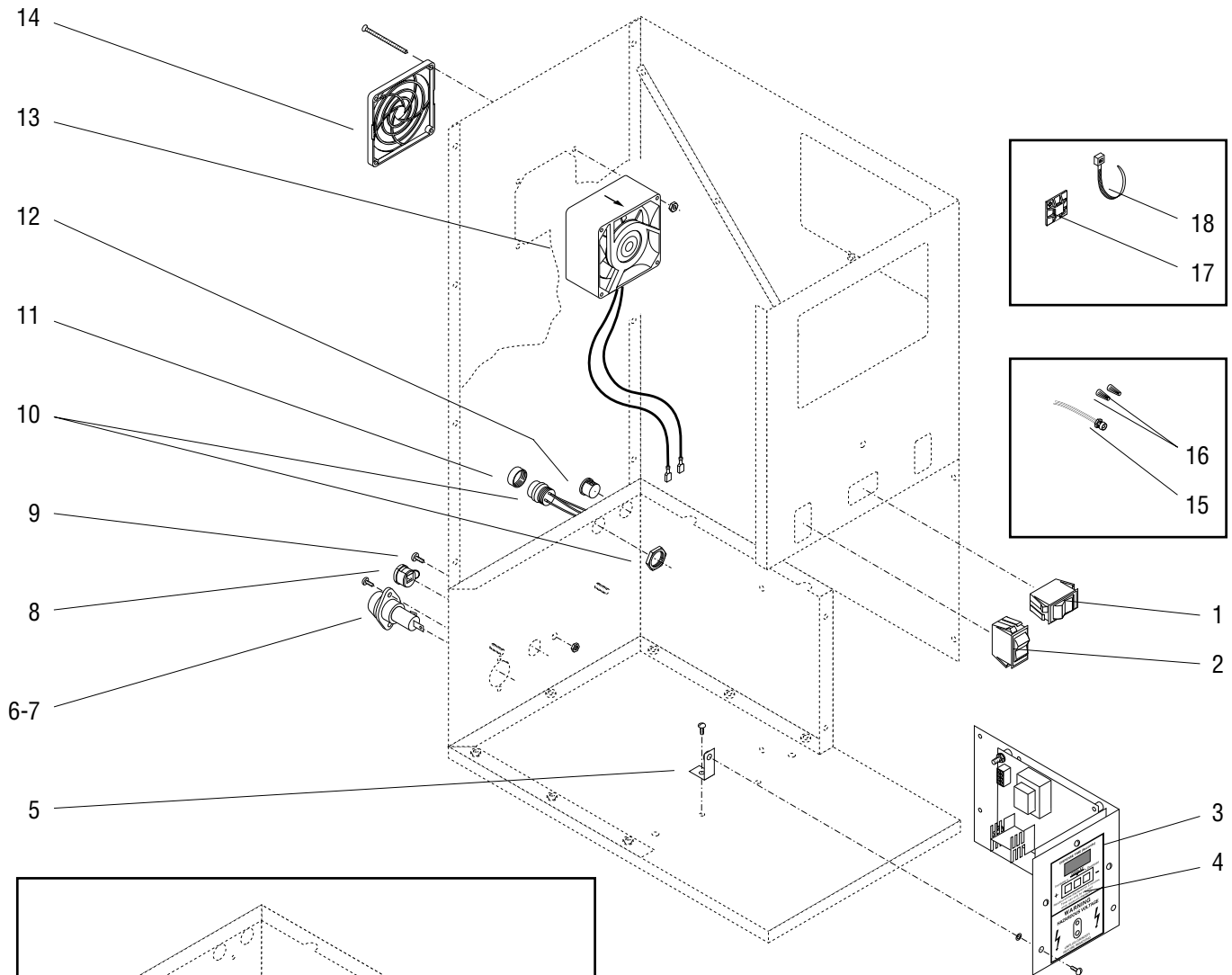
(Continued)



MOTOR, BURR HOUSING AND MOUNTING BRACKET

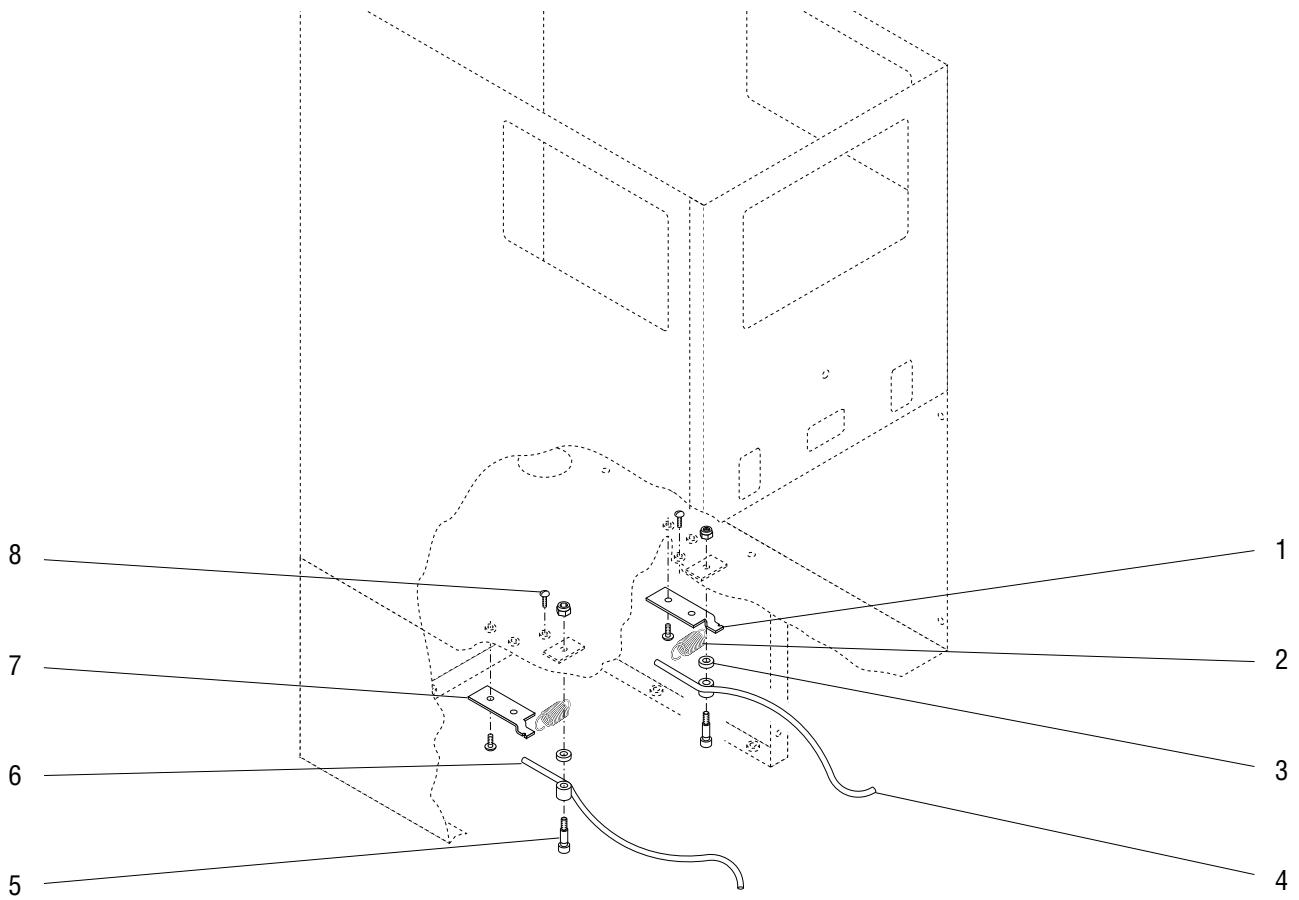
ITEM	PART NO.	QTY.	DESCRIPTION
			* Early Models ** Late Models
17	26555.0000	1 1	Chute, Discharge
18	26547.0000	1 1	Dechaffer Plate Assembly
19	26543.0000	1 1	Front Cover, Discharge Chute
	02361.0000	2 2	Screw, Pan Head #4-40 x .25"
20	25687.0000	4 4	Vibration Mount
21	00987.0000	8 8	Locknut
22	26553.0000	1 1	Chute
	02308.0000	2 2	Screw, Pan Head #8-32 x .375"
23	01533.0000	5 5	Spacer, Nylon .375"
24	01516.0000	5 5	Washer, Spacing
25	00908.0000	2 2	Nut #8-32
26	26552.0000	1 1	Chute Cover
	00970.0000	2 -	Nut, Keps #8-32
	01386.0000	- 2	Wing Nut #8-32
27	01384.0000	1 1	Screw, Truss Head #8-32 x 1.50"
28	01384.0002	1 1	Screw, Truss Head #8-32 x 2.0"
29	25705.0000	1 -	Support, Chute and Motor
	25705.0001	- 1	Support, Chute and Motor
	01330.0000	4 4	Screw, Slotted Hex Head #10-32 x .375"
30	25703.0000	1 -	Bracket, Motor Mounting
	25703.0001	- 1	Bracket, Motor Mounting
31	26597.0000	2 2	Circuit Board, Filter Capacitor
	01512.0000	4 4	Lockwasher, External Tooth #10
32	05861.1002	1 1	Kit, Burr (Includes items 3, 4 and mounting screws)
33	M2509.1000	- -	Sealant, Clear 732 RTV 10.3 oz.
34	M2514.0001	- -	Thread Lock, 242 Blue .5 ml

} Not illustrated

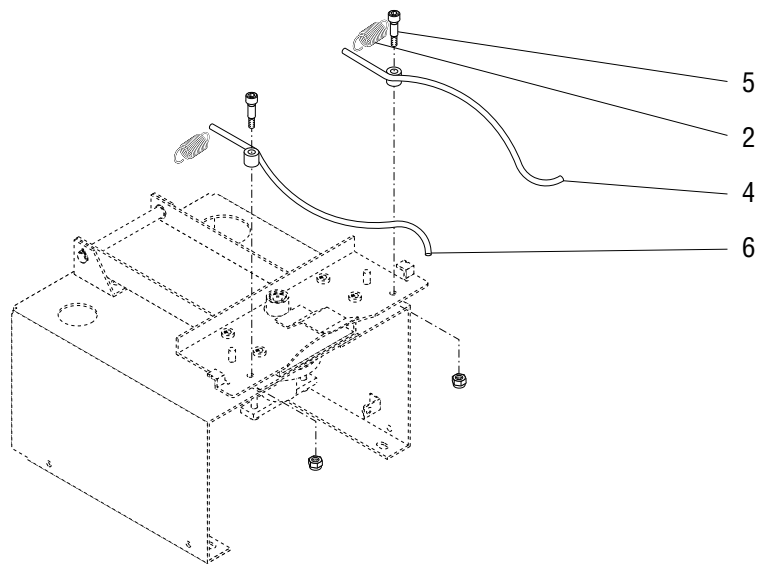


ELECTRICAL CONTROLS

ITEM	PART NO.	QTY.	DESCRIPTION	
1	05789.0000	1	Switch, Hopper Selection	
2	05815.0000	1	Switch, Off/On/Start	
3	25725.1002	1	Timer/Bracket Assy (Includes screws and washers below and item 4)	} DG-2 only
	01315.0000	2	Screw, Truss Head 8 - 32 x .375"	
	01516.0000	2	Washer, Screw Retaining	
4	05942.0000	1	Decal, Timer	
5	05841.0001	2	Bracket, Timer Mounting	
	02308.0000	2	Screw, Pan Head 8 - 32 x .375"	
6	21741.0000	1	Fuseholder	
	02328.0000	2	Screw, Pan Head 6 - 32 x .375"	
7	22012.0000	1	Fuse, SC 10 - 1.312" (Not illustrated)	
8	00707.0000	1	Bushing, Strain Relief	
9	02331.0000	1	Ground Screw, Truss Head 10 - 32 x .375"	
	00971.0000	1	Nut, Keps 10 -32	
10	12274.0002	1	Socket Assy W/Leads, Interface	
11	27657.0000	1	Cap	
12	00669.0000	1	Plug, .625" Hole Dia.	
13	22155.1001	1	Fan Assy	
14	21408.0000	1	Fan Guard	
	21480.0000	4	Screw, Flat Head 6 - 32 x 2.50"	
	00991.0002	4	Locknut, 6 - 32	
15	12517.0001	1	Kit, LED Indicator (Includes one LED & item 16)	
16	01570.0000	2	Wire Nut, 2-24 AWG Min. Yellow	
17	22749.0000	-	Mounting Pad, Cable Tie (Use as required)	
18	00617.0000	-	Cable Tie (Use as required)	
19	25654.0000	1	Display Assy, Digital Brewer Control	} WDG-2 Models only
	01382.0000	2	Screw, Truss Head 6 - 32 x .375"	
20	25662.0000	1	Cord Assy, Display (WDG-2 Models only)	} Not illustrated
21	25669.0000	1	Wiring Harness, Signal	
22	25762.0001	1	Wiring Harness, Main	
23	01712.0001	1	Cord Assy, Power	
24	05188.0002	1	Cable, Interface	



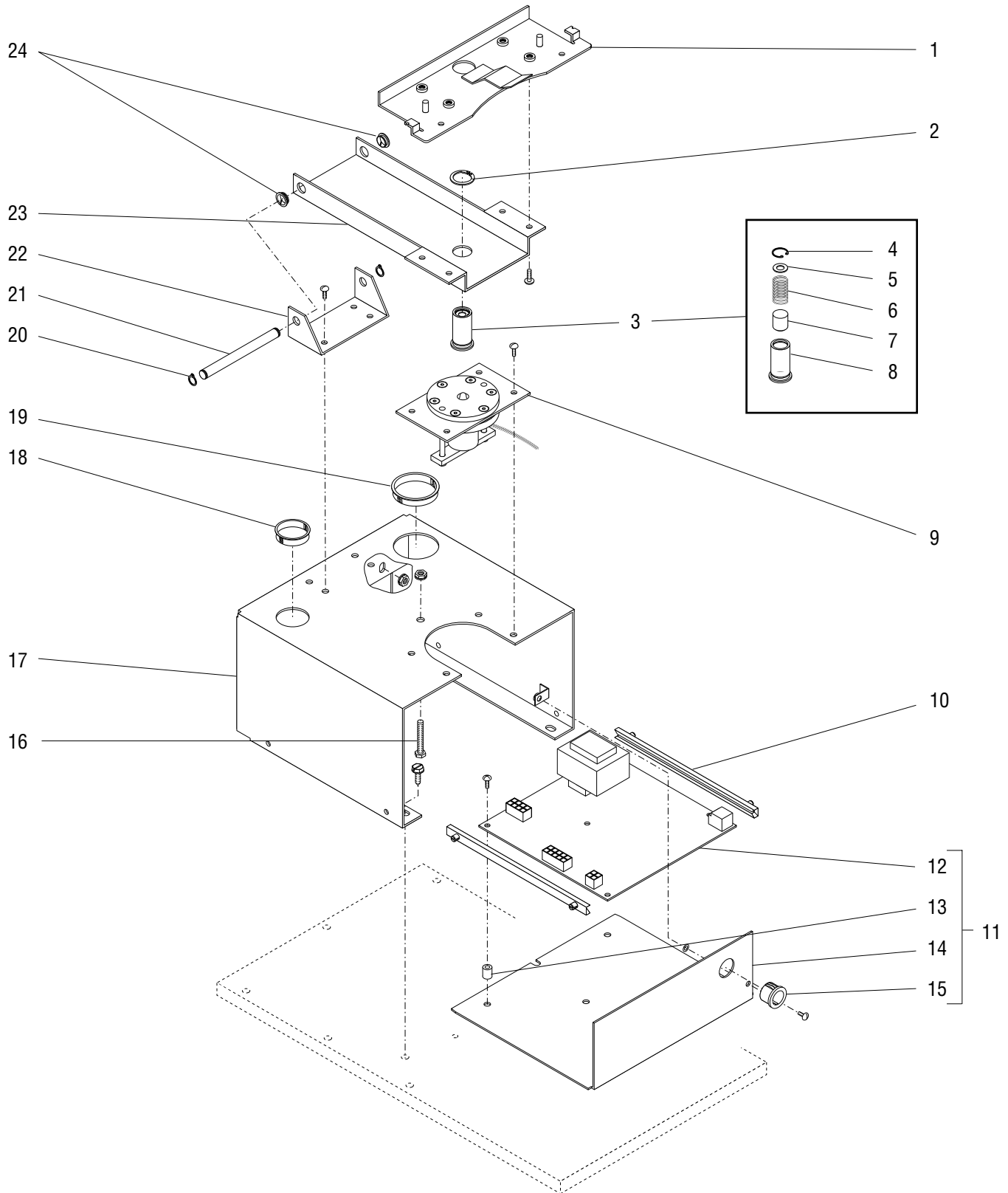
DG-2 MODELS



WDG-2 MODELS

FUNNEL RAILS

ITEM	PART NO.	QTY.		DESCRIPTION
				* DG-2 Models
				** WDG-2 Models
		*	**	
1	25720.0000	1	-	Spring Retainer, Right
	02308.0000	2	-	Screw, Pan Head 8 - 32 x .375"
2	05781.0000	2	2	Spring
3	25691.0000	2	-	Spacer
4	25690.0001	1	1	Funnel Rail, Right
5	25692.0000	-	2	Shoulder Screw, .25" x .375"
	25692.0001	2	-	Shoulder Screw, .25" x .50"
	00991.0005	2	2	Locknut, 10 - 24
6	25690.0000	1	1	Funnel Rail, Left
7	25720.0001	1	-	Spring Retainer, Left
	02308.0000	2	-	Screw, Pan Head 8 - 32 x .375"
8	01331.0000	2	-	Screw, Stop 10 - 32 x .50"



WEIGH MECHANISM AND CONTROL BOARD - WDG-2

ITEM	PART NO.	QTY.	DESCRIPTION
1	26013.0000	1	Bracket, Funnel Rails Mounting
2	21432.0000	1	Snap Ring, External .625" x .035"
3	26005.1000	1	Overload Assembly (Includes items 4 thru 8)
4	26002.0000	1	Snap Ring, Internal, .50" x .035"
5	26028.0000	1	Washer, .225" I.D. x .48" O.D.
6	26003.0000	1	Spring
7	-----	1	Piston, Overload (Not available order item 3)
8	-----	1	Housing (Not available order item 3)
9	26032.0000	1	Transducer Assy, Pressure (Available only as an assembly. DO NOT DISASSEMBLE)
	02308.0000	4	Screw, Pan Head 8 - 32 x .38"
10	26008.0000	2	Mount, Control Board
11	26035.0000	1	Control Board Assy (Includes items 12 thru 15)
	01308.0000	1	Screw, Truss Head 6 - 32 x .25"
	01518.0000	1	Washer, Retaining
12	26042.0000	1	Control Board
	01390.0000	5	Screw, Round Head 8 - 32 x .62"
13	01533.0002	5	Spacer
14	26015.0000	1	Plate, Mounting Control Board
15	07070.0000	1	Bushing, .687" Dia. Hole
16	02359.0000	1	Screw, Hex Head 10 - 32 x 1.25"
	00971.0000	1	Nut, Keps 10 - 32
17	26018.0000	1	Bracket, Support
	01330.0000	2	Screw, Slotted Hex Head 10 - 32 x .375"
	00971.0000	2	Nut, Keps 10 - 32
18	00718.0000	1	Bushing, 1.125" Dia. Hole
19	01593.0000	1	Bushing, 1.50" Dia. Hole
20	26006.0000	2	Snap Ring, External .312" x .025"
21	26010.0000	1	Pivot Pin
22	26009.0000	1	Bracket, Pivot Pin
	02308.0000	4	Screw, Pan Head 8 - 32 x .38"
23	26023.0000	1	Pivot Arm
	02308.0000	4	Screw, Pan Head 8 - 32 x .38"
24	26033.0000	2	Bearing, Snap-in

NUMERICAL INDEX

PART NO.	PAGE NO.	PART NO.	PAGE NO.	PART NO.	PAGE NO.	PART NO.	PAGE NO.
00617.0000	13	05942.0000	13	25913.0000	7		
00669.0000	13	07070.0000	17	25914.0000	9		
00707.0000	13	10856.0000	5	25915.0000	9		
00718.0000	5,17	10874.0000	5	25916.0000	9		
00725.0000	7	11064.0000	9	25916.0001	9		
00908.0000	11	11089.0001	9	25917.0000	5		
00917.0000	5	12274.0002	13	26002.0000	17		
00970.0000	11	12517.0001	13	26003.0000	17		
00971.0000	13,17	20545.0000	5	26005.1000	17		
00987.0000	11	20631.0000	9	26006.0000	17		
00989.0000	9	20666.0000	9	26008.0000	17		
00991.0002	13	20667.0000	9	26009.0000	17		
00991.0005	15	20669.0000	9	26010.0000	17		
01308.0000	17	20670.0000	9	26013.0000	17		
01311.0001	7	21408.0000	13	26015.0000	17		
01315.0000	5,13	21432.0000	17	26018.0000	17		
01321.0000	5	21480.0000	13	26023.0000	17		
01330.0000	5,9,11,17	21613.0000	9	26028.0000	17		
01331.0000	15	21741.0000	13	26032.0000	17		
01380.0000	5	22012.0000	13	26033.0000	17		
01382.0000	13	22155.1001	13	26035.0000	17		
01384.0000	11	22749.0000	13	26039.0001	5		
01384.0002	11	24237.0000	5	26042.0000	17		
01386.0000	11	25638.0000	9	26543.0000	11		
01390.0000	17	25654.0000	13	26547.0000	11		
01512.0000	11	25662.0000	13	26552.0000	11		
01516.0000	5,11,13	25669.0000	13	26553.0000	11		
01518.0000	5,17	25687.0000	11	26555.0000	11		
01533.0000	11	25690.0000	15	26582.1000	9		
01533.0002	17	25690.0001	15	26597.0000	11		
01538.0000	9	25691.0000	15	26729.1000	9		
01570.0000	13	25692.0000	15	26768.0000	9		
01592.0001	5	25692.0001	15	26769.0000	9		
01593.0000	5,17	25694.0000	5	26770.0000	9		
01712.0001	13	25701.0000	5	26819.1000	9		
02308.0000	11,13,15,17	25703.0000	11	27657.0000	13		
02314.0000	9	25703.0001	11	M2509.1000	11		
02326.0002	9	25705.0000	11	M2514.0001	11		
02328.0000	7,13	25705.0001	11				
02328.0004	7	25713.0000	7				
02330.0001	9	25716.0000	7				
02331.0000	13	25718.0000	7				
02359.0000	17	25720.0000	15				
02361.0000	11	25720.0001	15				
05188.0002	13	25721.0001	5				
05781.0000	15	25725.1002	13				
05789.0000	13	25729.0000	5				
05796.0000	9	25730.0000	5				
05814.0001	5	25753.1000	5				
05815.0000	13	25762.0001	13				
05841.0001	13	25885.0000	5				
05861.1002	11	25910.0000	5				
05868.0000	9	25910.0001	5				
05876.0000	7	25911.0000	5				
05880.0000	9	25912.0000	9				